

712-856

AeroLite System Composite Junction Box Adapter
 Straight, 45°, 90° For Series 74 Helical Plastic Conduit



AeroLite System Composite Junction Box Adapter for Series 74 Conduit

How To Order

Master Keyway Clocking

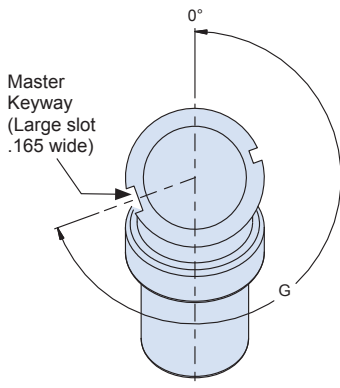
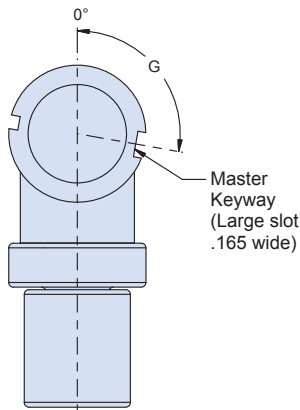
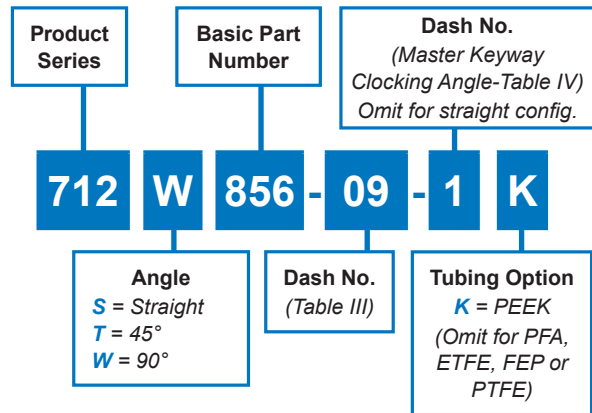
Master keyway angle for angular assemblies is measured with adapter body as shown.

Table III: Dash No.

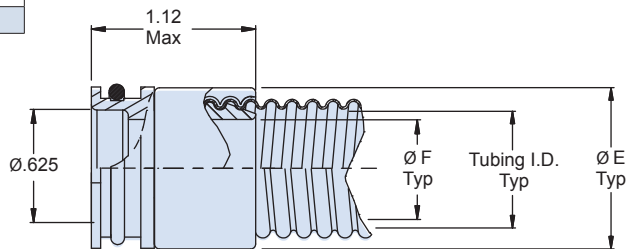
Dash No	Tubing I.D. Nom	E Dia Max	F Dia ± .015 Entry
09	.281 (7.1)	.670 (17.0)	.250 (6.4)
12	.375 (9.5)	.770 (19.6)	.344 (8.7)
16	.500 (12.7)	.920 (23.4)	.469 (11.9)
20	.625 (15.9)	1.040 (26.4)	.594 (15.1)
24	.750 (19.1)	1.200 (30.5)	.714 (18.1)

Table IV: Master Keyway Clocking Angle

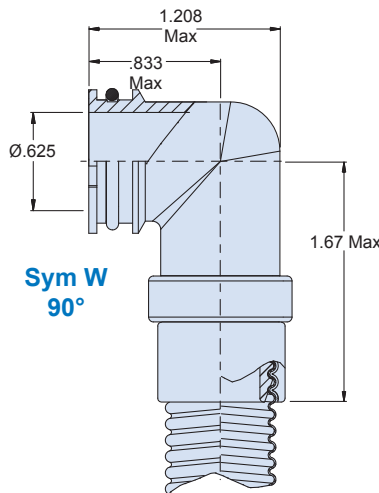
Dash No	G
1	0°
2	90°
3	270°
19	45°
20	135°
21	180°
22	225°
23	315°



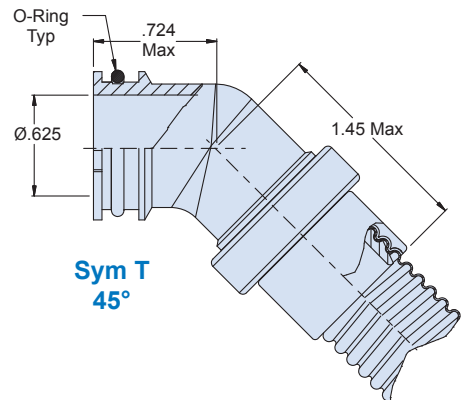
Sym S
Straight
(No Clocking)



Sym W
90°



Sym T
45°



Material/Finish

- Adapters, elbows, ferrules: High grade engineering thermoplastic, black/no plating (XB)
- O-Ring: fluorosilicone/NA

Notes

Mates to 120-100 Series conduit. Conduit to be ordered separately.