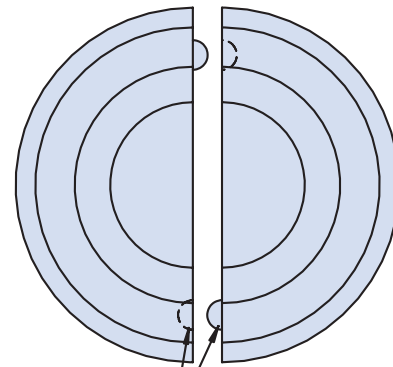
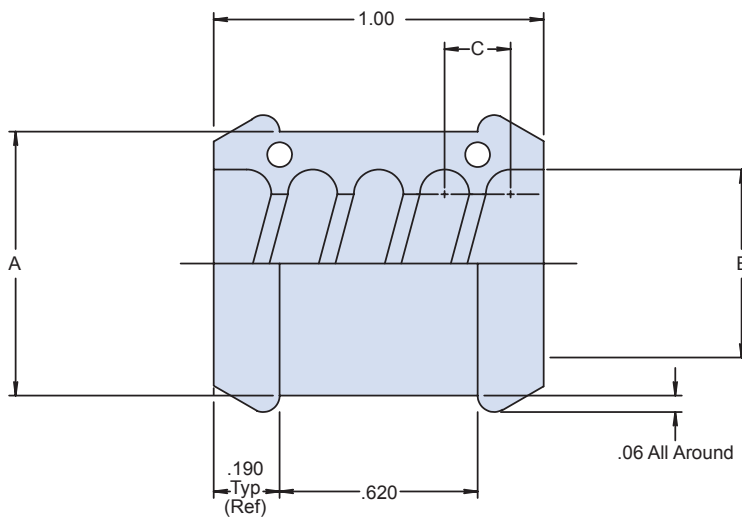


Split bushing for series 74 Helical Conduit

How To Order
Product Series
687
**Dash No.
(Table III)**
051
16
Basic No.


Pin/Socket for Snap Assembly

Table III: Dimensions

Dash No.	A Ref	B Min	C Ref	Tube Size Ref
06	.450 (11.4)	.330 (8.42)	.100 (2.54)	3/16
09	.560 (14.2)	.439 (11.2)	.100 (2.54)	9/32
10	.580 (14.7)	.460 (11.7)	.100 (2.54)	5/16
12	.640 (16.3)	.517 (13.1)	.100 (2.54)	3/8
14	.700 (17.8)	.585 (14.9)	.100 (2.54)	7/16
16	.780 (19.8)	.660 (16.8)	.111 (2.82)	1/2
20	.900 (22.9)	.780 (19.8)	.111 (2.82)	5/8
24	1.06 (26.9)	.940 (23.9)	.125 (3.18)	3/4
28	1.20 (30.5)	1.085 (27.6)	.142 (3.61)	7/8
32	1.35 (34.3)	1.225 (31.1)	.142 (3.61)	1
40	1.73 (43.9)	1.640 (41.7)	.166 (4.22)	1 1/4

Material/Finish

Bushing: Kynar per ASTM-D-3222/N.A.

Notes

- Assembly to be tagged and bagged.
- Bushing designed to mate with MIL-T-81914/5-11** Tubing.
- Bushing may be suitable for use with other Slash Sheets at user's discretion.
- Not for use with PEEK convoluted tubing.

G70685
Split Bushing with Pin/Socket Snap Assembly
for Protection of Tie-Down Points for Series 72 Annular Conduit



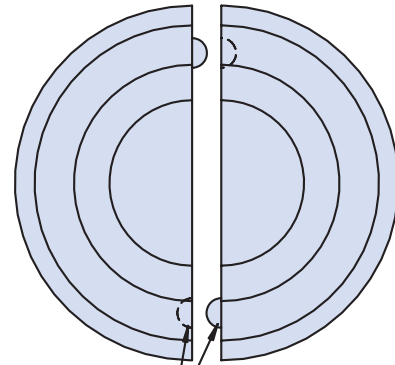
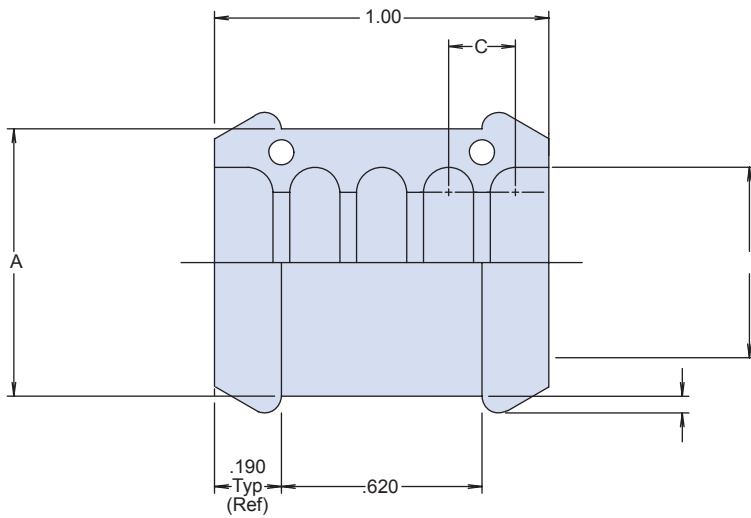
Split bushing for series 72 Annular Conduit

How To Order

Basic
No.

Dash No.
(Table III)

G70685 - 16



Pin/Socket for Snap Assembly

Table III: Dimensions

Dash No.	A Ref	B Min	C Ref
09	0.55 (14.0)	0.425 (10.8)	0.150 (3.8)
12	0.65 (16.5)	0.525 (13.3)	0.155 (3.9)
14	0.73 (18.5)	0.605 (15.4)	0.175 (4.4)
16	0.80 (20.3)	0.670 (17.0)	0.175 (4.4)
20	0.92 (23.4)	0.790 (20.1)	0.175 (4.4)
24	1.08 (27.4)	0.950 (24.1)	0.175 (4.4)
28	1.21 (30.7)	1.085 (27.6)	0.175 (4.4)
32	1.33 (33.8)	1.205 (30.6)	0.175 (4.4)
40	1.57 (39.9)	1.445 (36.7)	0.175 (4.4)
52	1.98 (50.3)	1.855 (47.1)	0.175 (4.4)

Material/Finish

Bushing: Kynar per ASTM-D-3222/N.A.