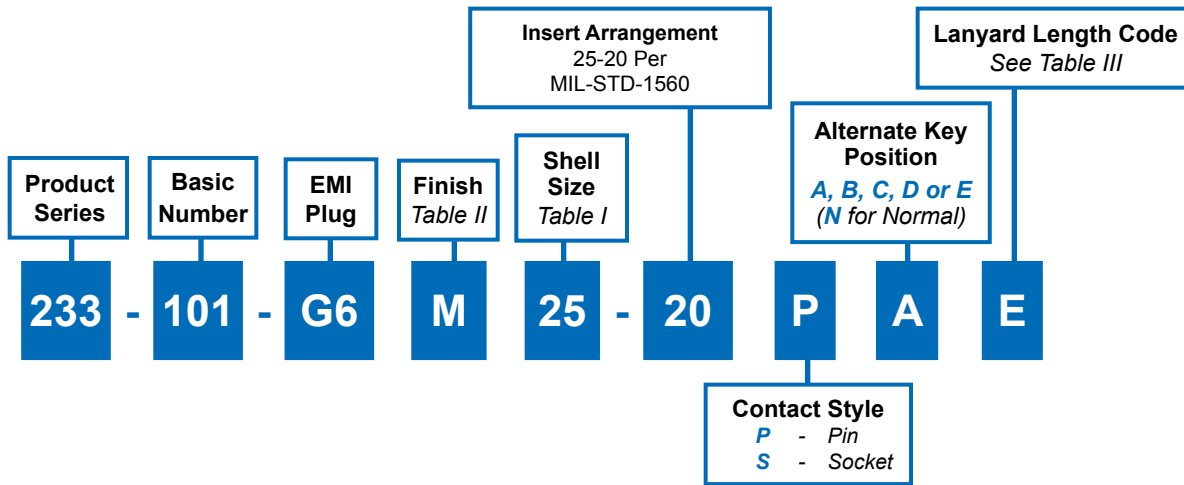
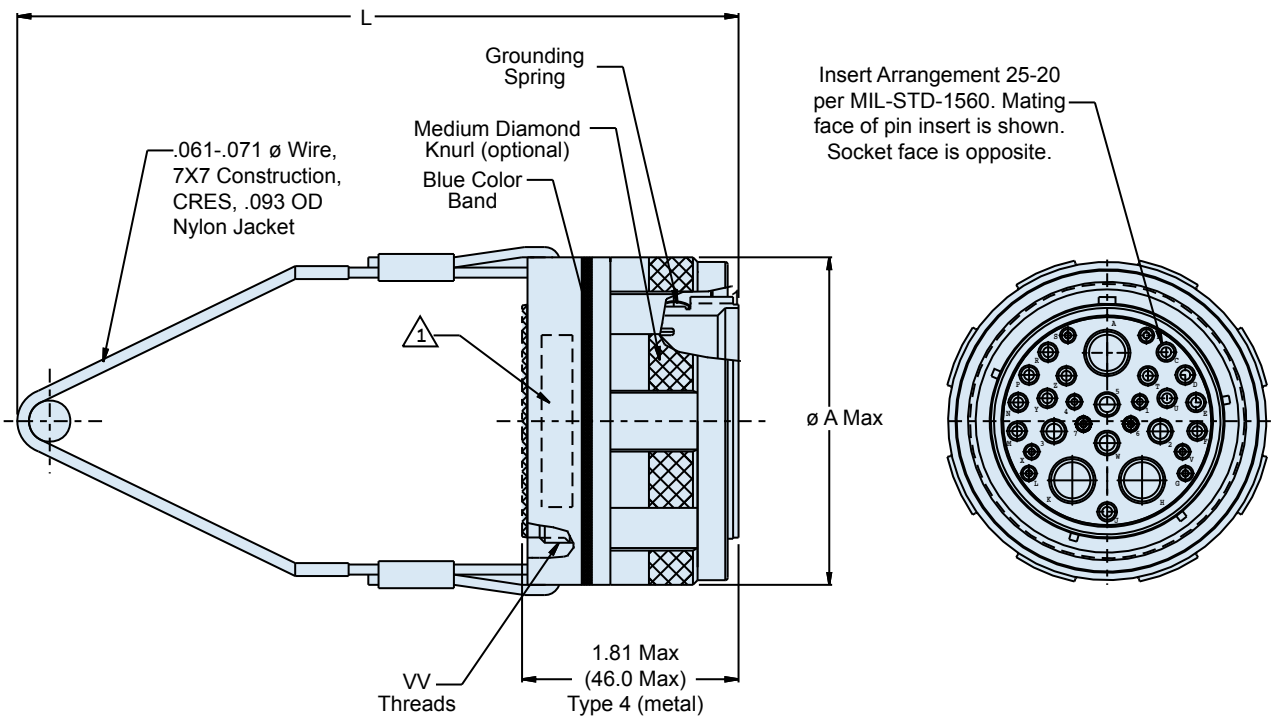




233-101-G6
Type 4 Lanyard Release Plug for MIL-STD-1760
 and Other MIL-DTL-38999 Series III Type
 Hybrid Signal, Power, Coax and Twinax Arrangements



D



233-101-G6
Type 4 Lanyard Release Plug for MIL-STD-1760
and Other MIL-DTL-38999 Series III Type
Hybrid Signal, Power, Coax and Twinax Arrangements



TABLE I: CONNECTOR DIMENSIONS

SHELL SIZE	SHELL SIZE CODE	A MAX	W THREAD
09	A	1.00 (25.4)	M12 x1-6g-0.100R
11	B	1.110 (28.19)	M15 x1-6g-0.100R
13	C	1.972 (50.1)	M18x1-6g-0.100R
15	D	2.078 (52.8)	M22x1-6g-0.100R
17	E	2.204 (56.0)	M25x1-6g-0.100R
19	F	2.330 (59.2)	M28x1-6g-0.100R
21	G	2.472 (62.8)	M31x1-6g-0.100R
23	H	2.594 (65.9)	M34x1-6g-0.100R
25	J	2.704 (68.7)	M37x1-6g-0.100R

TABLE II: FINISH

Symbol	Finish
M	Al alloy, Electroless Nickel
Z1	CRES, Passivated
ZL	CRES, Electrodeposited Nickel
NF	Al alloy, Olive Drab Cadmium over Nickel

TABLE III: LANYARD LENGTH CODE

CODE	L ± .236 (±6)	CODE	L ± .236 (±6)	CODE	L ± .236 (±6)	CODE	L ± .236 (±6)
A	4.016(102)	G	7.007(178)	M	10.000(254)	U	13.031(331)
B	4.527(115)	H	7.519(191)	N	10.511(267)	V	14.015(356)
C	5.000(127)	I	7.992(203)	P	11.023(280)	W	15.000(381)
D	5.511(140)	J	8.503(216)	R	11.535(293)	X	16.023(407)
E	6.024(153)	K	9.015(229)	S	12.007(305)	Y	17.007(432)
F	6.535(166)	L	9.527(242)	T	12.519(318)	Z	18.031(458)

TABLE IV: SUPPLIED COMPONENTS

Contact Size	Contact Pin Part Number	Contact Socket Part Number	Sealing Plug Part Number	Insertion/Removal Tool Part Number
22D	M39029/58-360	M39029/56-348	M27488-22	M81969/14-01
20	M39029/58-363	M39029/56-351	M27488-20	M81969/14-10
16	M39029/58-364	M39029/56-352	M27488-16	M81969/14-03
12	M39029/58-365	M39029/56-353	M27488-12	M81969/14-04
12	M39029/102-558 Coax	M39029/103-559 Coax	M27488-12	M81969/14-04
8	M39029/60-367 Coax	M39029/59-366 Coax	M27488-8	M81969/14-06
8	M39029/90-529 Twinax	M39029/91-530 Twinax	M27488-8	M81969/14-06

APPLICATION NOTES

- Assembly to be identified with Glenair's name and part number.
- Material/finishes:
 Shell, coupling sleeve, lanyard ring—Aluminum alloy or CRES per Table I
 Retaining clips—Beryllium copper/gold plated
 Insulators—High grade rigid dielectric/NA
 Wave spring, retaining rings—Cres
 Grounding Spring—Beryllium copper/electroless nickel
 Seals—fluorosilicone/NA
- This connector mates with D38999/20 and /24,
- Dimensions in parenthesis are metric and for reference.
- Blue color band indicates rear release retention system.
- Connectors to be supplied with contacts, insertion/removal tools and sealing plugs. Quantity of contacts includes spares (see Table IV).

