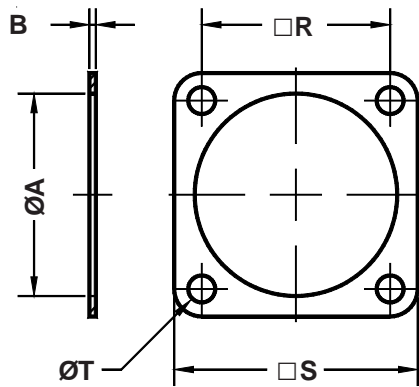
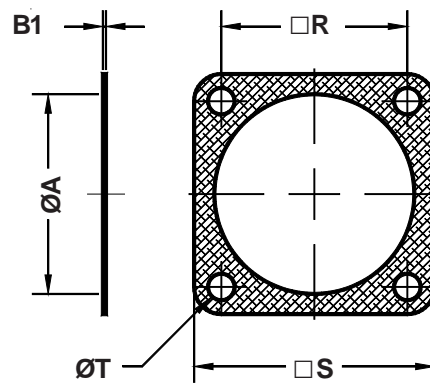


Guarnizione per connettori da pannello
Gasket for fixed connectors


IT 40450-XX

IT 40450-XXS

Codice	Dim. guscio	A	B	B1	R	S	T
<i>P/N</i>	<i>Shell size</i>	+1 -0	±0.4	±0.2	±0.2	±0.5	+0.5 -0
IT 40450 - 10	10SL	15.7	1.0	0.5	18.2	25.4	4.2
IT 40450 - 12	12S - 12	18.9	1.0	0.5	20.6	28.0	4.2
IT 40450 - 14	14S - 14	22.1	1.0	0.5	23.0	30.0	4.2
IT 40450 - 16	16S - 16	25.3	1.0	0.5	24.6	32.5	4.2
IT 40450 - 18	18	28.4	1.0	0.5	27.0	35.0	4.2
IT 40450 - 20	20	31.6	1.0	0.5	29.4	38.0	4.2
IT 40450 - 22	22	34.8	1.0	0.5	31.8	41.0	4.2
IT 40450 - 24	24	38.0	1.0	0.5	34.9	44.5	4.2
IT 40450 - 28	28	44.3	1.0	0.5	39.7	50.8	5.1
IT 40450 - 32	32	50.7	1.0	0.5	44.5	57.0	5.1
IT 40450 - 36	36	57.0	1.0	0.5	49.2	63.5	5.1
IT 40450 - 40	40	61.9	1.0	0.5	55.5	69.9	5.1

Guarnizione per connettore fisso.
 IT40450-XX : non conduttiva,
 IT40450-XXS : conduttiva.

Gasket for square flange receptacle.
IT40450-XX : non conductive,
IT40450-XXS : conductive.