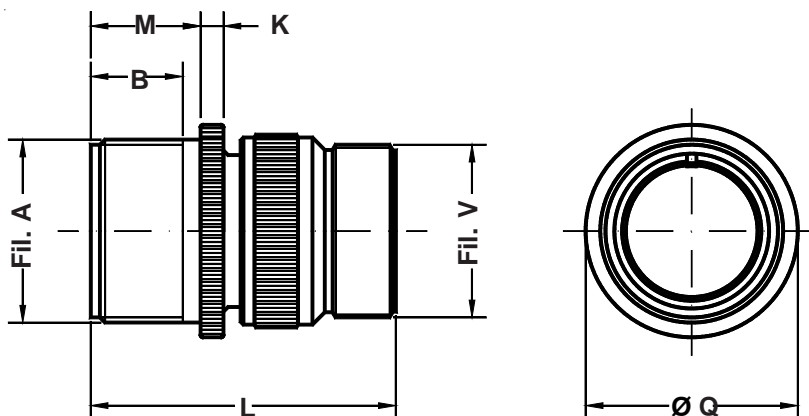


**Connettore per giunzione volante**  
*In-line receptacle*



Es. / Ex. : IT3101A20-27P

Dimensione Guscio Shell Size	Filetto A A thread	B min.	K ±0.2	L Max.	M +0.2 -0	Q ±0.2	Filetto V V thread
<b>10 SL</b>	0.6250 - 24UNEF	11	2.8	44.0	14.3	21.6	0.6250 - 24UNEF
<b>12 S</b>	0.7500 - 20UNEF	11	2.8	44.0	14.3	24.9	0.6250 - 24UNEF
<b>12</b>	0.7500 - 20UNEF	16	2.8	51.5	19.1	24.9	0.6250 - 24UNEF
<b>14 S</b>	0.8750 - 20UNEF	11	3.3	46.4	14.5	28.8	0.7500 - 20UNEF
<b>14</b>	0.8750 - 20UNEF	16	3.3	53.0	19.1	28.8	0.7500 - 20UNEF
<b>16 S</b>	1.0000 - 20UNEF	11	3.3	46.4	14.5	30.6	0.8750 - 20UNEF
<b>16</b>	1.0000 - 20UNEF	16	3.3	57.8	19.1	30.6	0.8750 - 20UNEF
<b>18</b>	1.1250 - 18UNEF	16	4.0	57.8	19.1	33.7	1.0000 - 20UNEF
<b>20</b>	1.2500 - 18UNEF	16	4.0	58.1	19.1	36.9	1.1875 - 18UNEF
<b>22</b>	1.3750 - 18UNEF	16	4.0	58.1	19.6	39.5	1.1875 - 18UNEF
<b>24</b>	1.5000 - 18UNEF	17	4.0	59.7	20.6	43.9	1.4375 - 18UNEF
<b>28</b>	1.7500 - 18UNS	17	4.0	66.2	20.0	49.2	1.4375 - 18UNEF
<b>32</b>	2.0000 - 18UNS	17	4.0	71.3	22.3	55.8	1.7500 - 18UNS
<b>36</b>	2.2500 - 16UN	17	4.0	76.8	22.3	62.3	2.0000 - 18UNS
<b>40</b>	2.5000 - 16UN	17	4.0	76.8	22.3	68.5	2.2500 - 16UN

Connettore per giunzioni volanti.  
Fornito completo di adattatore per serracavo  
MS 3057-XX A/B/C.

*In-line receptacle.*  
*Includes backshell for MS 3057-XX A/B/C*  
*cable clamp.*