



## 805-003 and 805-004 Mighty Mouse Connectors with Size #8 Quadrax and Differential Twinax Contacts Series 805 Receptacles



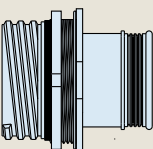
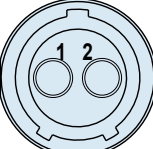





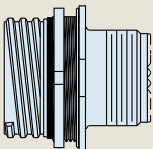
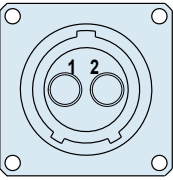
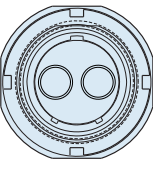
### SERIES 805 RECEPTACLES WITH SIZE #8 CONTACTS

New Mighty Mouse contact arrangements accept size #8 Quadrax and differential Twinax contacts for Ethernet or high frequency applications. Series 805 Mighty Mouse receptacles feature damage-resistant triple start ACME mating threads and are available with integral band platform or accessory attachment threads. Contacts are crimp type and are snap-in, rear-release with plastic extraction tool sold separately. Aluminum or stainless steel shell, thermoplastic insulators, fluorosilicone rubber seals.

*Optional wire sealing boot is recommended. See boot ordering information on page E-15.*

#### How To Order

#### Sample Part Number

805-003	-01	M	19-3	S	A
Series	Shell Style	Shell Material / Finish	Shell Size- Insert Arrangement	Contact Type	Shell Key Position
 <b>805-003</b> Banding Platform	 <b>01</b> In-Line receptacle for Free-Hanging Cables	<b>M</b> Aluminum / Electroless Nickel RoHS Compliant	 <b>10-1</b>	Connector supplied without contacts. (Order quadrax or twinax contacts separately.)  <b>A</b> Pin connector  <b>B</b> Socket connector	<b>A</b> Normal  Alternate Key Positions: <b>B</b> <b>C</b> <b>D</b> <b>E</b> <b>F</b>
		<b>NF</b> Aluminum / Cadmium with Olive Drab Chromate	 <b>18-2</b>		
	<b>ZR</b> Aluminum / Zinc-Nickel with Non-Reflective Black Chromate RoHS Compliant	 <b>19-3</b>			
	<b>MT</b> Aluminum / Nickel-PTFE RoHS Compliant	 <b>21-4</b>			
	<b>Z1</b> Stainless Steel / Passivated RoHS Compliant	 <b>23-5</b>			
	 <b>805-004</b> Rear Accessory Thread	 <b>-02</b> Square Flange Receptacle			
	 <b>-07</b> Jam Nut Receptacle for Rear Panel Mtng.				

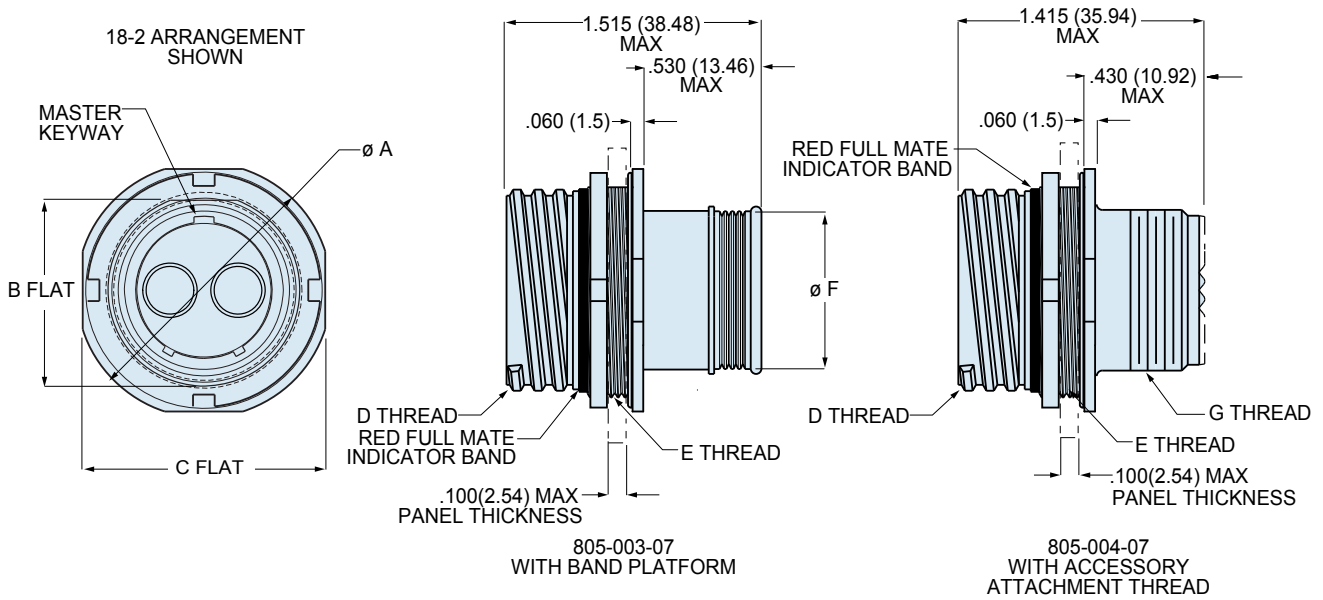
E

805-003 and 805-004  
Mighty Mouse Connectors with Size #8 Quadrax  
and Differential Twinax Contacts  
Series 805 Receptacles



Size #8  
Quadrax/Twinax

**SERIES 805 JAM NUT RECEPTACLE**



Dimensions											
Shell Size- Arr.	Ø A		B		C		D Threads	E Threads	Ø F		G Threads
	In.	mm.	In.	mm.	In.	mm.			In.	mm.	
10-1	.880	22.35	.661	16.79	.850	21.59	.6250-1P-.3L-TS-2A	.6875-28 UN-2A	.472	11.99	.5000-28 UNEF-2A
18-2	1.389	35.28	1.147	29.13	1.359	34.52	1.1250-1P-.3L-TS-2A	1.1875-28 UN-2A	.884	22.45	.9375-20 UNEF-2A
19-3	1.450	36.83	1.221	31.01	1.420	36.07	1.1875-1P-.3L-TS-2A	1.2500-28 UN-2A	.884	22.45	.9375-20 UNEF-2A
21-4	1.580	40.13	1.350	34.29	1.550	39.37	1.3125-1P-.3L-TS-2A	1.3750-28 UN-2A	1.003	25.48	1.0625-18 UNEF-2A
23-5	1.705	43.31	1.470	37.34	1.675	42.55	1.4375-1P-.3L-TS-2A	1.500-28 UN-2A	1.134	28.80	1.1875-18 UNEF-2A

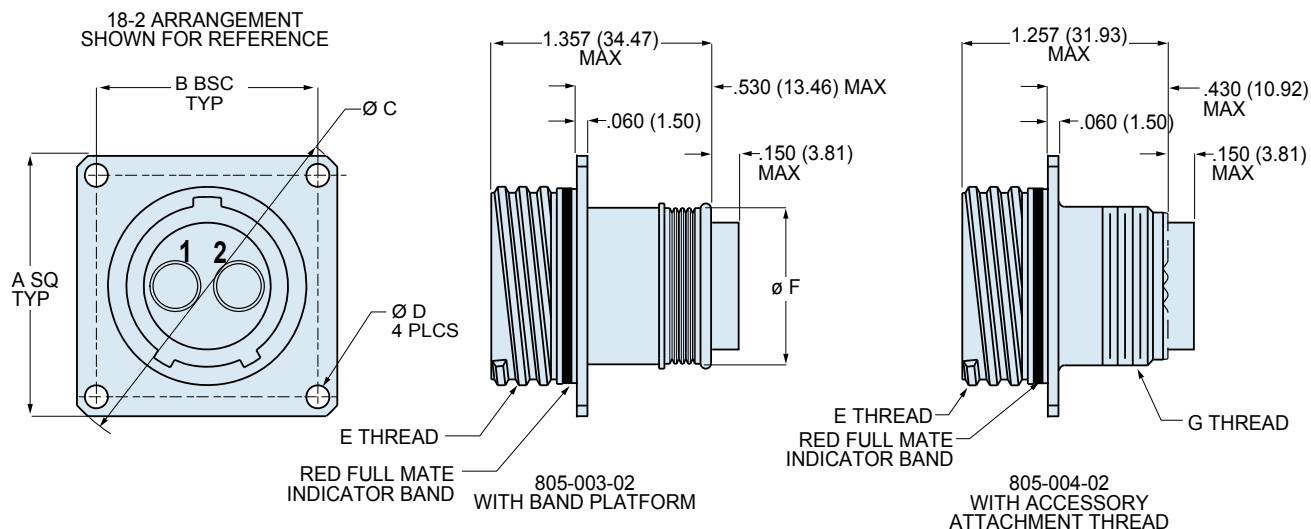
Receptacle Key Positions		
Position	A°	B°
A	150°	210°
B	75°	210°
C	95°	230°
D	140°	275°
E	75°	275°
F	95°	210°

Series 801 Jam Nut Panel Cutout				
Shell Size	A Flat		Ø B	
	In. ± .002	mm. ± 0.05	In. ± .002	mm. ± 0.05
10-1	.671	17.04	.698	17.73
18-2	1.157	29.39	1.198	30.43
19-3	1.231	31.27	1.260	32.00
21-4	1.358	34.49	1.385	35.18
23-5	1.480	37.59	1.510	38.35



**805-003 and 805-004**  
**Mighty Mouse Connectors with Size #8 Quadrax**  
**and Differential Twinax Contacts**  
**Series 805 Receptacles**

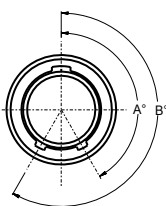
**SERIES 805 SQUARE FLANGE RECEPTACLE**



Dimensions													
Shell Size- Arr.	A		B		ØC		ØD		E Threads	Ø F		G Threads	
	In.	mm.	In.	mm.	In.	mm.	±.003	±0.08		In.	mm.	In.	mm.
	10-1	.975	24.77	.785	19.94	1.330	33.78	.094		2.39	.6250-1P-3L-TS-2A	.472	12.01
18-2	1.475	37.47	1.255	31.88	2.000	50.80	.128	3.25	1.1250-1P-3L-TS-2A	.884	22.45	.9375-20 UNEF-2A	
19-3	1.537	71.06	1.327	33.71	2.094	53.19	.128	3.25	1.1875-1P-3L-TS-2A	.884	22.45	.9375-20 UNEF-2A	
21-4	1.663	42.24	1.452	36.88	2.270	57.66	.128	3.25	1.3125-1P-3L-TS-2A	1.003	25.48	1.0625-18 UNEF-2A	
23-5	1.787	45.39	1.570	39.88	2.440	61.98	.128	3.25	1.4375-1P-3L-TS-2A	1.134	28.80	1.1875-18 UNEF-2A	

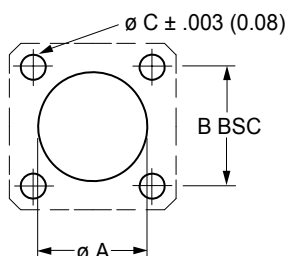
**Receptacle Key Positions**

Position	A°	B°
A	150°	210°
B	75°	210°
C	95°	230°
D	140°	275°
E	75°	275°
F	95°	210°



**Series 801 Panel Cutout**

Shell Size	Ø A		B BSC		Ø C	
	In	mm.	In	mm.	In ±.003	mm. ±.08
	10-1	.640	16.26	.785	19.94	.093
18-2	1.140	28.96	1.255	31.88	.128	3.25
19-3	1.203	30.56	1.327	33.71	.128	3.25
21-4	1.328	33.73	1.452	36.88	.128	3.25
23-5	1.453	36.91	1.570	39.88	.128	3.25

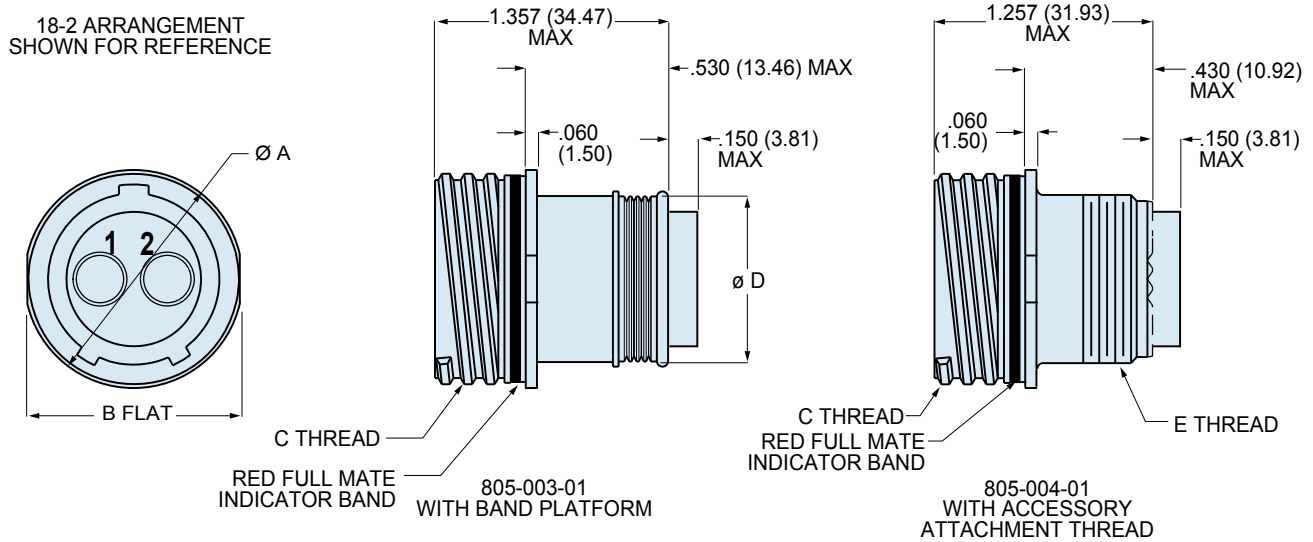


805-003 and 805-004  
Mighty Mouse Connectors with Size #8 Quadrax  
and Differential Twinax Contacts  
Series 805 Receptacles



Size #8  
Quadrax/Twinax

**SERIES 805 IN-LINE RECEPTACLE**



Dimensions								
Shell Size	Ø A		B		C Threads	Ø D		E Threads
	In.	mm.	In.	mm.		In.	mm.	
10	.668	16.96	.638	16.21	.6250-1P-.3L-TS-2A	.472	12.01	.5000-28 UNEF-2A
18	1.165	29.59	1.135	28.83	1.1250-1P-.3L-TS-2A	.884	22.45	.9375-20 UNEF-2A
19	1.235	31.37	1.205	30.61	1.1875-1P-.3L-TS-2A	.884	22.45	.9375-20 UNEF-2A
21	1.360	34.54	1.330	33.78	1.3125-1P-.3L-TS-2A	1.003	25.48	1.0625-18 UNEF-2A
23	1.485	37.72	1.455	36.96	1.4375-1P-.3L-TS-2A	1.134	28.80	1.1875-18 UNEF-2A

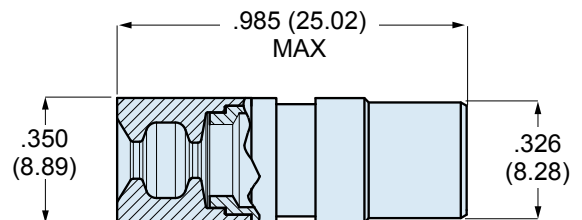
Receptacle Key Positions		
Position	A°	B°
A	150°	210°
B	75°	210°
C	95°	230°
D	140°	275°
E	75°	275°
F	95°	210°

**SEALING BOOT**

Sealing boot provides wire seal. Slide boot onto wire before terminating contact. After contact is installed in connector, slide boot forward into connector grommet to seal the contact cavity. "F" suffix on contact part number specifies contact supplied with boot. See table for wire size.



Wire Dia. (in.)	Wire Dia. (mm.)	Part Number
.090 - .130	2.3 - 3.3	<b>859-042-01</b>
.130 - .170	3.3 - 4.3	<b>859-042-02</b>
.170 - .205	4.3 - 5.2	<b>859-042-03</b>



E