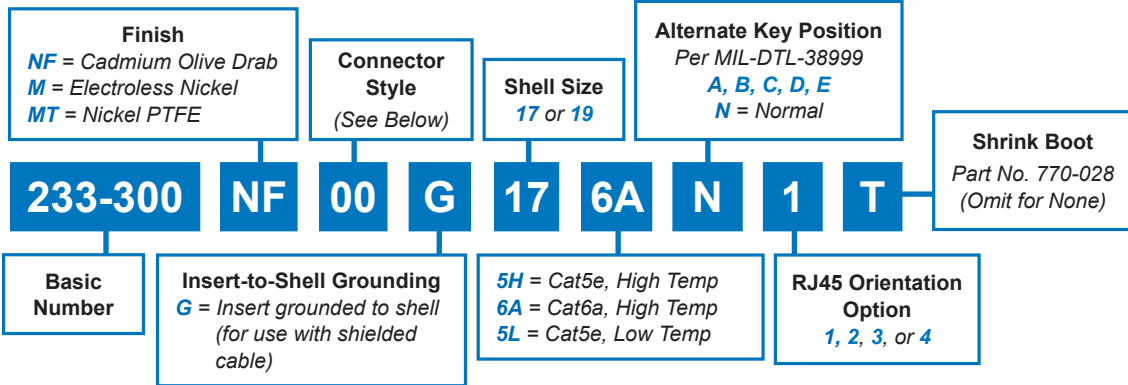


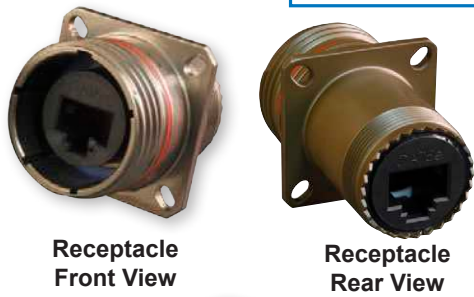
233-300 SuperSeal™ MIL-DTL-38999 Series III Type Connectors with RJ45 Jack/Jack or Plug/Plug Couplers



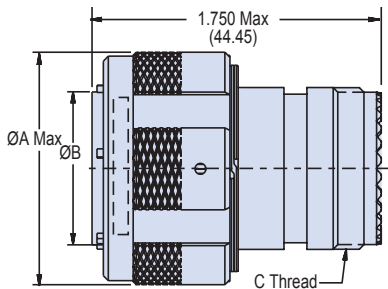
D38999 Type
RJ45 Connectors



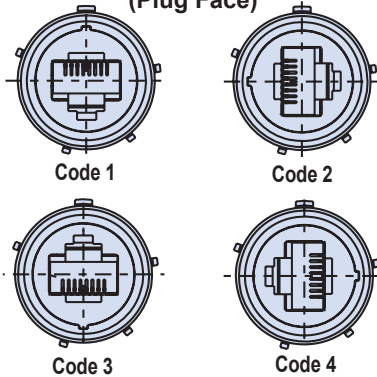
A



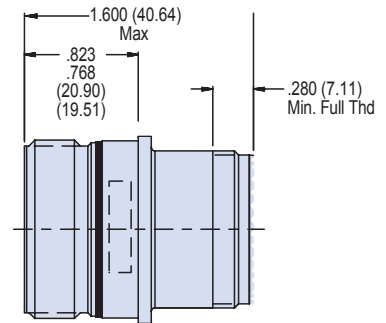
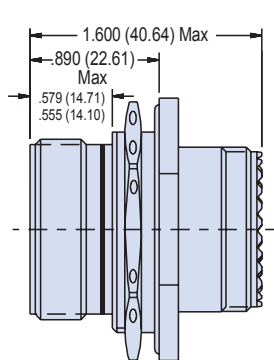
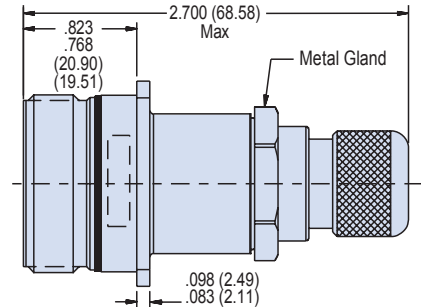
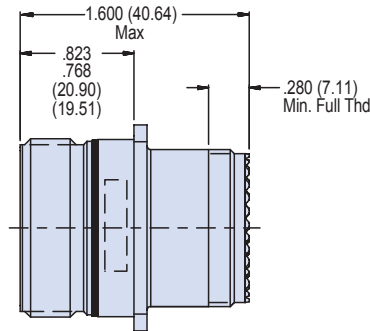
- Connector Styles**
- 00 = Square Flange Receptacle with Slotted Holes
 - 01 = Square Flange Receptacle with Metal Cable Gland
 - 07 = Jam Nut Receptacle
 - 05 = In-Line Receptacle
 - 08 = In-Line Receptacle with Metal Cable Gland
 - G6 = Plug
 - G7 = Plug with Metal Cable Gland



RJ45 Orientation Options (Plug Face)



All External Dimensions, Features, etc. compliant with D38999/20, /24 & /26. Consult Factory for Additional Information



Plug Dimensions			
Shell Size	A Dia Max	B Dia	C Thread
17	1.406 (35.71)	.928/.922 23.57/23.42	M25 X 1.0-6g 0.100R
19	1.156 (29.36)	1.033/1.027 26.24/26.09	M25 X 1.0-6g 0.100R