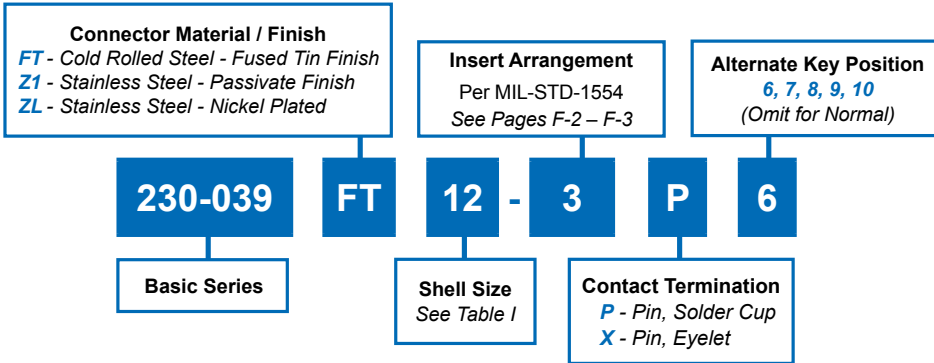
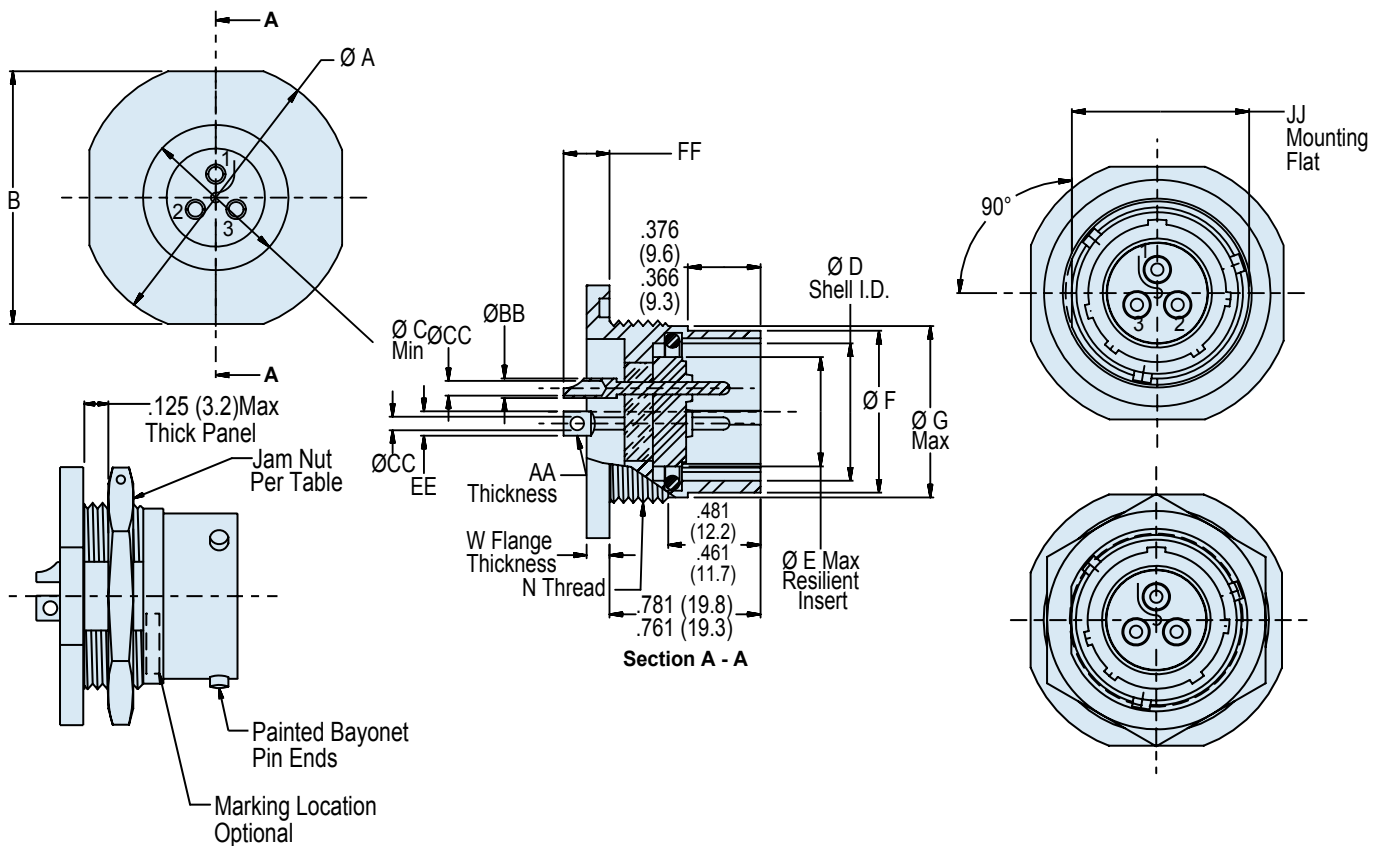


**How To Order: Commercial**



F



Dimensions in Inches (millimeters) are subject to change without notice.

230-039

# MIL-DTL-26500 Type Hermetic Class Receptacle

## Single Hole Mount, Bayonet Coupling, MS24265H\*B\* Type

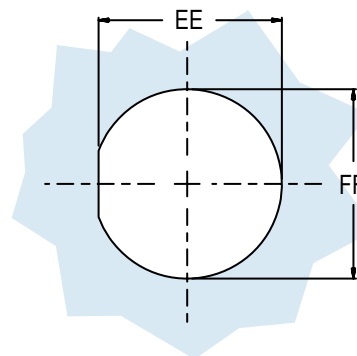
MIL-DTL-26500  
Type

TABLE I: Shell Size, Connector Dimensions and Panel Cut-Out

Shell Size	Ø A Max	B	Ø C Min	Ø D Shell I.D.	Ø E Resilient Insert	Ø F	Ø G Max	N Thread	JJ Mounting Flat	Flange Thickness W ± .020 (0.5)	Panel Cut-Out EE	Panel Cut-Out FF	Jam Nut MS3186
8	1.068 (27.1)	.979 (24.9)	.493 (12.5)	.433/.428 (11.0/10.9)	.312 (7.9)	.536/.531 (13.6/13.5)	.561 (14.2)	.625-20 UN-2A	.596/.590 (15.1/15.0)	.117 (3.0)	.605 (15.4)	.635 (16.1)	-105
10	1.192 (30.3)	1.104 (28.0)	.555 (14.1)	.535/.530 (13.6/13.5)	.388 (9.9)	.659/.654 (16.7/16.6)	.696 (17.7)	.750-20 UNEF 2A	.721/.715 (18.3/18.2)	.117 (3.0)	.730 (18.5)	.760 (19.3)	-107
12	1.380 (35.1)	1.291 (32.8)	.743 (18.9)	.705/.700 (17.9/17.8)	.558 (14.2)	.829/.824 (21.1/20.9)	.875 (22.2)	.937-20 UNEF-2A	.908/.902 (23.1/22.9)	.117 (3.0)	.917 (23.3)	.947 (24.1)	-110
14	1.505 (28.2)	1.391 (35.3)	.805 (20.4)	.774/.769 (19.7/19.5)	.627 (15.9)	.898/.893 (22.8/22.7)	.935 (23.7)	1.000-20 UNEF-2A	.971/.965 (24.7/24.5)	.117 (3.0)	.980 (24.9)	1.010 (25.7)	-111
16	1.630 (41.4)	1.516 (38.5)	.931 (23.6)	.901/.896 (22.9/22.8)	.772 (19.6)	1.025/1.020 (26.0/25.9)	1.062 (27.0)	1.125-20 UNEF-2A	1.096/1.090 (27.8/27.7)	.117 (3.0)	1.105 (28.1)	1.135 (28.8)	-112
18	1.765 (44.8)	1.641 (41.7)	1.055 (26.8)	1.007/1.002 (25.6/25.5)	.860 (21.8)	1.131/1.126 (28.7/28.6)	1.187 (30.1)	1.250-18 UNEF-2A	1.220/1.214 (31.0/30.8)	.117 (3.0)	1.229 (31.2)	1.260 (32.0)	-116
20	1.860 (47.2)	1.766 (44.9)	1.243 (31.6)	1.132/1.125 (28.8/28.6)	.985 (25.0)	1.256/1.251 (31.9/31.8)	1.312 (33.3)	1.375-18 UNEF-2A	1.345/1.339 (34.2/34.0)	.117 (3.0)	1.354 (34.4)	1.385 (35.2)	-117
22	2.068 (52.5)	1.954 (49.6)	1.305 (33.1)	1.257/1.252 (31.9/31.8)	1.110 (28.2)	1.381/1.376 (35.1/35.0)	1.437 (36.5)	1.500-18 UNEF-2A	1.470/1.464 (37.3/37.2)	.148 (3.8)	1.497 (38.0)	1.510 (38.4)	-120
24	2.160 (54.9)	2.079 (52.8)	1.493 (37.9)	1.382/1.377 (35.1/35.0)	1.235 (31.4)	1.506/1.501 (38.3/38.1)	1.562 (39.7)	1.625-18 UNEF-2A	1.595/1.589 (40.5/40.4)	.148 (3.8)	1.604 (40.7)	1.635 (41.5)	-121

TABLE II: Contacts

Contact Size	Contact Type	AA	ØØ BB	ØØ CC Min	DD	FF Max
12	Cup	--	.150 (3.8)	.112 (2.8)	--	.235 (6.0)
12	Eyelet	.035 (0.9)	--	--	.200 (5.1)	.235 (6.0)
16	Cup	--	.103 (2.6)	.069 (1.8)	--	.235 (6.0)
16	Eyelet	.025 (0.6)	--	--	.125 (3.2)	.235 (6.0)
20	Cup	--	.077 (2.0)	.042 (1.1)	--	.165 (4.2)
20	Eyelet	.015 (0.4)	--	--	.080 (2.0)	.165 (4.2)



## APPLICATION NOTES

- Assembly identified with manufacturer's name and part number, space permitting.
- Glenair 230-039 will mate with any QPL MIL-DTL-MS24266 type bayonet coupling plug of same size, keyway and insert polarization.
- Performance:
  - Hermeticity -  $< \times 10^{-7}$  ccHe/sec @ 1 atmosphere differential
  - Dielectric withstanding voltage - consult factory or MIL-STD-1554
  - Insulation resistance - 5000 megohms min @ 500VDC
- Material/ Finish:
  - Shell and Jam Nut—specified by class
  - Pin contacts—nickel-iron alloy 52/gold
  - Bayonets—Cres/Passivated
  - Contacts—52 Nickel alloy/Gold plated
  - Insulators—Glass/NA
  - Seals—fluorosilicone elastomer N.A.
- Metric Dimensions (mm) are indicated in parentheses.

Dimensions in Inches (millimeters) are subject to change without notice.

© 2013 Glenair, Inc.

U.S. CAGE Code 06324

Printed in U.S.A.

**GLENAIR, INC. • 1211 AIR WAY • GLENDALE, CA 91201-2497 • 818-247-6000 • FAX 818-500-9912**  
**www.glenair.com F-13 E-Mail: sales@glenair.com**