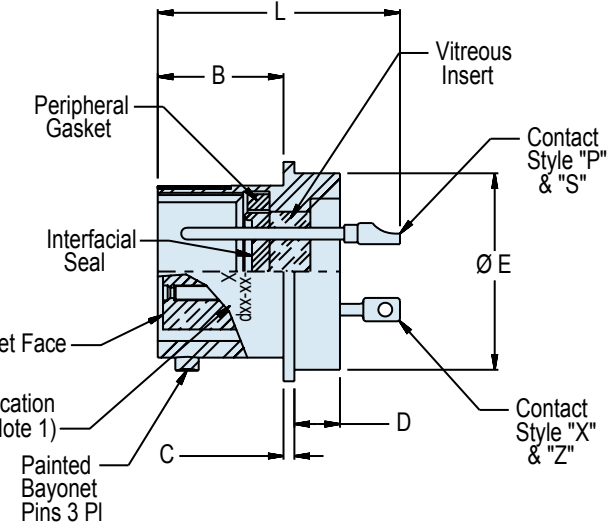
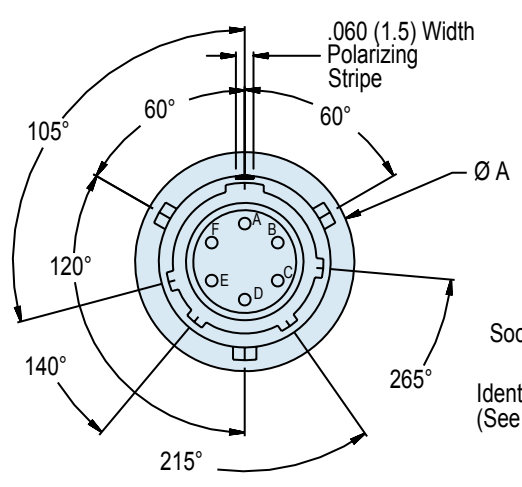
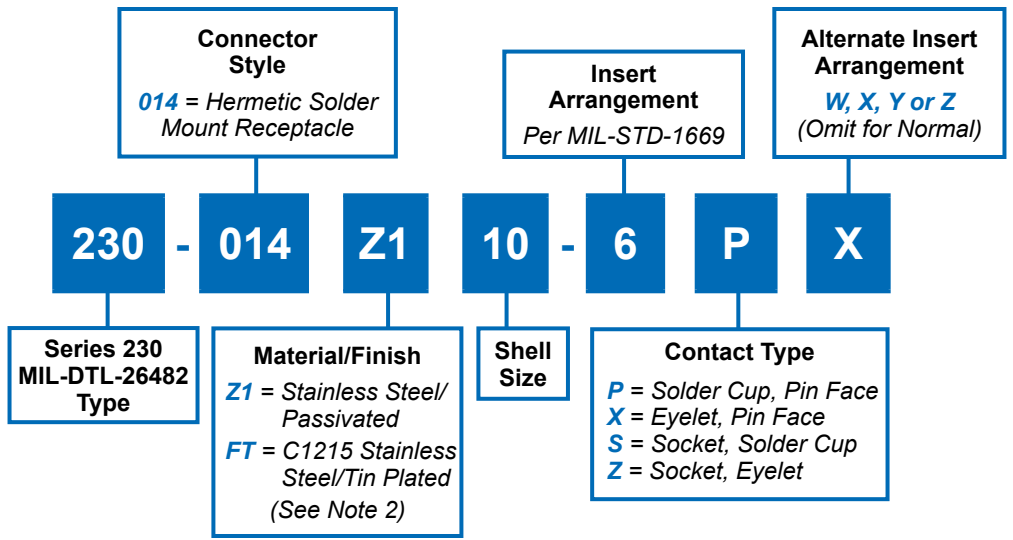




230-014
MIL-DTL-26482 Series I Type Hermetic
Bayonet Coupling Solder Mount Receptacle
MS3113 Type

D



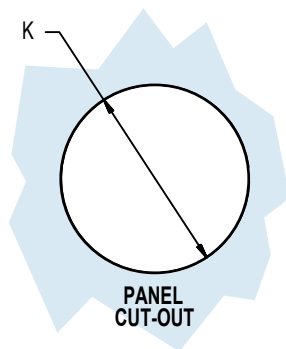
APPLICATION NOTES

- To be identified with manufacturer's name, part number and date code, space permitting.
- Material/Finish:
 Shell: Z1 - 304L stainless steel/passivate.
 FT - C1215 stainless steel/tin plated.
 Titanium and Inconel® available. Consult factory.
 Contacts - 52 Nickel alloy/gold plate.
 Sockets - Copper alloy, gold plated.
 Bayonets - Stainless steel/passivate.
 Seals - Silicone elastomer/N.A.
 Insulation - Glass/N.A.; Socket: Rigid Dielectric/N.A.
- Contact current rating - #20-7.5 Amps, #16-10 Amps, #12-17 Amps, #8-35 Amps.
- Consult factory and/or MIL-STD-1669 for arrangement and insert position options.
- Glenair 230-014 will mate with any QPL MIL-DTL-26482 Series I bayonet coupling plug of same size and insert polarization.
- Performance:
 Hermeticity - $<1 \times 10^{-7}$ cc/sec @ 1 atm differential.
 Dielectric withstanding voltage - Consult factory or MIL-STD-1669.
 Insulation resistance - 5000 megohms min @500VDC.
- Metric Dimensions (mm) are indicated in parentheses.

230-014
MIL-DTL-26482 Series I Type Hermetic
Bayonet Coupling Solder Mount Receptacle
MS3113 Type



MIL-DTL-26482
Type



D

TABLE I: CONNECTOR AND CUT-OUT DIMENSIONS								
Shell Size	A Dia ± .016 (0.4)	B Dim +.031 (0.8) -000	C Dim +.016 (0.4) -.005 (0.1)	D Max Length of Mtg Diameter		E Dia +.001 (.0) -.005 (0.1)	L Max Length Overall	
				Pin	Socket		Pin	Socket
8	.625 (15.9)	.411 (10.4)	.031 (0.79)	.156 (4.0)	.215 (5.5)	.562 (14.3)	.828 (21.0)	.888 (22.6)
10	.750 (19.1)	.411 (10.4)	.031 (0.79)	.156 (4.0)	.215 (5.5)	.672 (17.1)	.828 (21.0)	.888 (22.6)
12	.844 (21.4)	.411 (10.4)	.031 (0.79)	.156 (4.0)	.215 (5.5)	.781 (19.8)	.828 (21.0)	.888 (22.6)
14	.969 (23.7)	.411 (10.4)	.031 (0.79)	.156 (4.0)	.215 (5.5)	.906 (23.0)	.828 (21.0)	.888 (22.6)
16	1.094 (27.8)	.411 (10.4)	.031 (0.79)	.156 (4.0)	.215 (5.5)	1.031 (26.2)	.828 (21.0)	.888 (22.6)
18	1.218 (30.9)	.411 (10.4)	.031 (0.79)	.156 (4.0)	.215 (5.5)	1.156 (29.4)	.828 (21.0)	.960 (24.4)
20	1.312 (33.3)	.473 (12.0)	.031 (0.79)	.156 (4.0)	.275 (7.0)	1.250 (31.8)	.891 (22.6)	.995 (25.3)
22	1.438 (36.5)	.473 (12.0)	.031 (0.79)	.188 (4.8)	.275 (7.0)	1.375 (34.9)	.921 (23.4)	.995 (25.3)
24	1.563 (39.7)	.506 (12.9)	.031 (0.79)	.188 (4.8)	.275 (7.0)	1.500 (38.1)	.921 (23.4)	.995 (25.3)

HERMETIC LEAK RATE MOD CODES	
Designator	Required Leak Rate
-585A	1 x 10 ⁻¹⁰ cc Helium per second
-585B	1 x 10 ⁻⁹ cc Helium per second
-585C	1 x 10 ⁻⁸ cc Helium per second