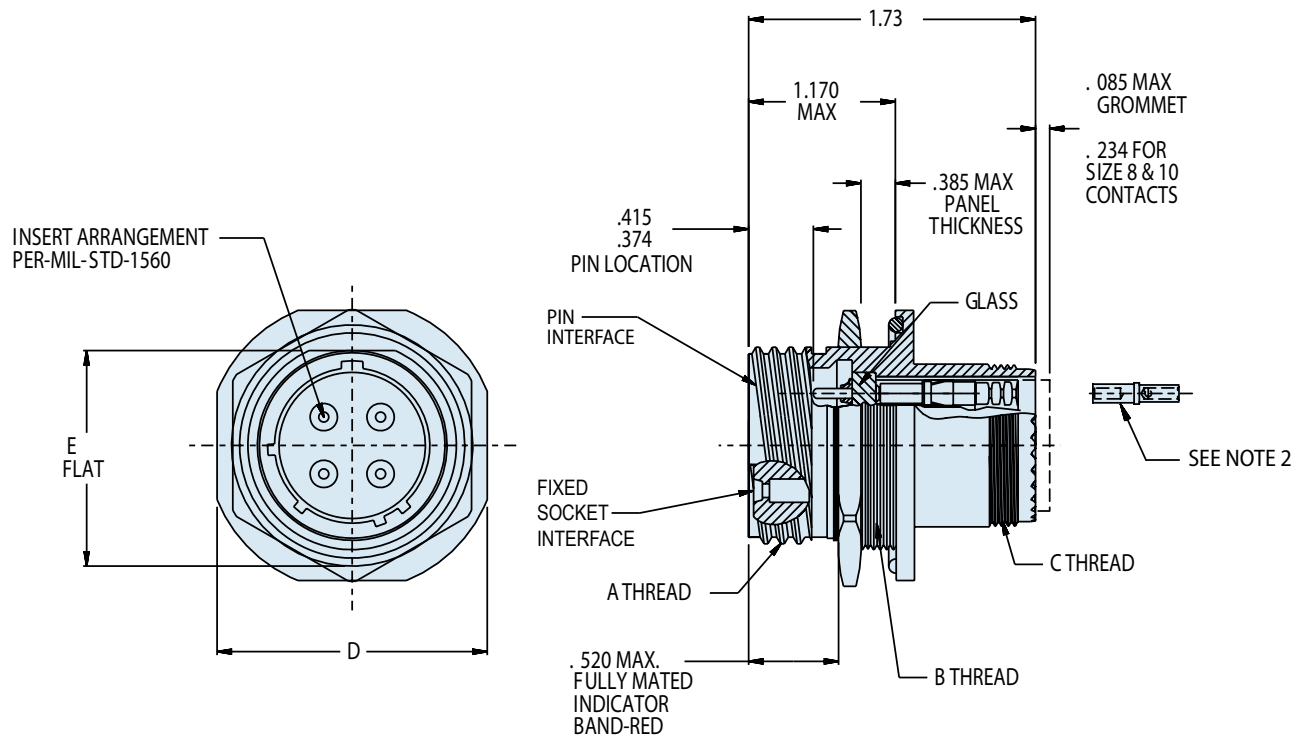
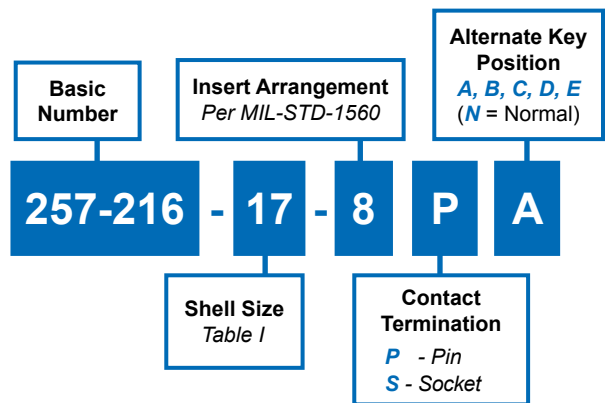




257-216

Jam Nut Mount Hermetic Receptacles with Crimp Removable Socket Contacts MIL-DTL-38999 Series III Type

B



Dimensions in Inches (millimeters) are subject to change without notice.

257-216

**Jam Nut Mount Hermetic Receptacles
with Crimp Removable Socket Contacts
MIL-DTL-38999 Series III Type**



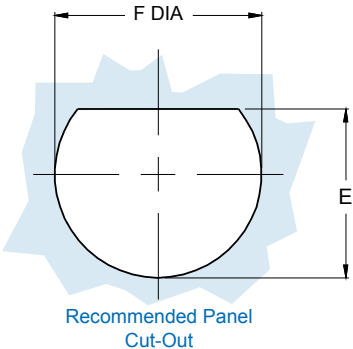
MIL-DTL-38999 Type
Hermetic Connectors

B

TABLE I: CONNECTOR DIMENSIONS

| SHELL SIZE | CODE | A THREAD 0.1 P-0.3L-TS-2A | B THREAD | C THREAD | D ± .016 | E +.004 (0.1) -.006 (0.15) | F DIA ± .005 (0.1) |
|------------|------|------------------------------|-----------------|-----------------|-------------|----------------------------------|-----------------------|
| 9 | A | 0.625 | M17X1-6g 0.100R | M12X1-6g 0.100R | 1.062 | .657 (16.70) | .693 (17.60) |
| 11 | B | 0.750 | M20X1-6g 0.100R | M15X1-6g 0.100R | 1.252 | .771 (19.59) | .825 (20.96) |
| 13 | C | 0.875 | M25X1-6g 0.100R | M18X1-6g 0.100R | 1.374 | .955 (24.26) | 1.010 (25.65) |
| 15 | D | 1.000 | M28X1-6g 0.100R | M22X1-6g 0.100R | 1.500 | 1.085 (27.56) | 1.135 (28.83) |
| 17 | E | 1.187 | M32X1-6g 0.100R | M25X1-6g 0.100R | 1.626 | 1.210 (30.73) | 1.260 (32.01) |
| 19 | F | 1.250 | M35X1-6g 0.100R | M28X1-6g 0.100R | 1.811 | 1.335 (33.91) | 1.385 (35.18) |
| 21 | G | 1.375 | M38X1-6g 0.100R | M31X1-6g 0.100R | 1.937 | 1.460 (37.08) | 1.510 (38.35) |
| 23 | H | 1.500 | M41X1-6g 0.100R | M34X1-6g 0.100R | 2.063 | 1.585 (40.26) | 1.635 (41.53) |
| 25 | J | 1.625 | M44X1-6g 0.100R | M37X1-6g 0.100R | 2.190 | 1.710 (43.43) | 1.760 (44.70) |

| HERMETIC LEAK RATE MOD CODES | |
|------------------------------|--|
| Designator | Required Leak Rate |
| -585A | 1 x 10 ⁻¹⁰ cc Helium per second |
| -585B | 1 x 10 ⁻⁹ cc Helium per second |
| -585C | 1 x 10 ⁻⁸ cc Helium per second |



APPLICATION NOTES

- Assembly identified with manufacturer's name and PN, space permitting.
Material/Finish:
Shell, lock ring, jam nut—CRES/passivated
Contacts—alloy 52/gold plate
Sockets—copper alloy/gold plate
Hermetic Insulator—fused vitreous glass/N.A.
Socket Insulator—high grade rigid dielectric/N.A.
Seals—fluorosilicone/ N.A.
Hermeticity—1x10⁻⁷ cc/second
- Crimp removable socket contacts to conform to MIL-C-39029/57-358, size 16, MIL-C-39029/57-357 size 20 and MIL-C-39029/57-354 size 22D (supplied loose)
- Metric dimensions (mm) are indicated in parentheses.

Dimensions in Inches (millimeters) are subject to change without notice.