

EXTREME ENVIRONMENT

SMD HIGH-TEMPERATURE PACKAGED CRYSTAL OSCILLATORS

FMOCHT SERIES

Extreme Temperature
Thru-hole
Crystal Oscillators



- 10 Hz to 110 MHz
- Voltage Controlled Options
- 1.2V to 18V
- Ultra Low Power
- High Shock and Vibration
- -100°C to +300°C
- Extended Operational Life

SPECIFICATIONS

Issue 8 | 09302011



Parameter	Specification
Frequency Range	10 Hz to 110.000 MHz
Overall Frequency Tolerance	±100ppm, ±250ppm, ±300ppm, Custom available
Operating Temperature	0 to +300°C Std. (DIPs Only, TO packages to +210°C) Custom Avail.
Storage Temperature	-55°C to +240°C (option: to +300°C)
Supply Voltage (Vdd)	1.2, 1.8, 2.5V, 3.3V ±10%, or 5.0V (option: 12V to 18V)
Symmetry (Duty Cycle)	40/60% min, 45/55%, Other
Logic	HCMOS/TTL, Sinewave available
Tri-State Control:	Optional
Output "0" Level	Output Disabled HI-Z
Output "1" Level or Open	Oscillation
Screened to MIL-PRF-55310	Available
Package Options	1/2 Size 8-Pin Dip; Full Size 14-Pin Dip, TO-5, *SMD

All specifications subject to change without notice.

ULTRA LOW-POWER ETXO

Extreme Temperature Crystal Oscillators



Frequency Range: Up to 100 MHz
 Stability: As Low as ±50 ppm (0 to +200°C)
 Supply Current: As Low as.....
 0.9 mA @ 3.3V @ 20 MHz
 0.3 mA @ 3.3V @ 32.768 kHz
 Package: 8 Pin DIP (half-dip)
 Power Consumption:
 2.8 mW @ 20 MHz

Ask about our extreme low power 16.384 kHz clocks

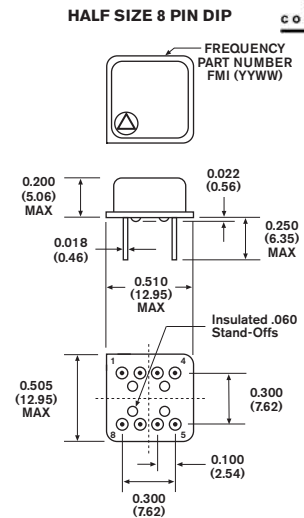
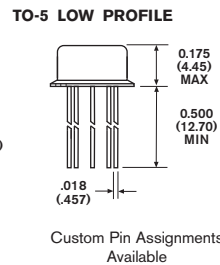
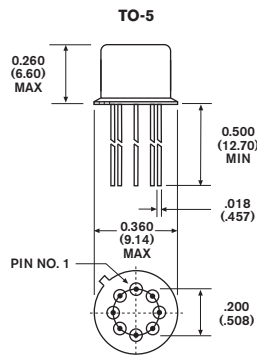
AVAILABLE

- Request Information on our +280°C Crystal Oscillator with Operating Life ≥ 8000 Hours
- Temperature Sensing Oscillators with 48 ±1ppm/°C Slope
- Space Level Compatible Manufacturing & Screening Process

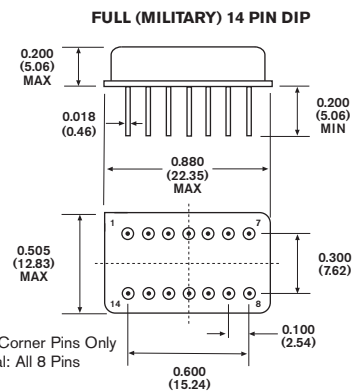
*3.2x2.5mm, 5x7mm & 7x7mm Ceramic SMD packages. See separate data sheets on these product offerings.

Package Options

- LT - Lead Trimming
- LF - Lead Forming



Standard: 4 Corner Pins Only
Optional: All 8 Pins



Standard: 4 Corner Pins Only
Optional: All 8 Pins

Dimensions: $\frac{\text{Inches}}{\text{mm}}$

PLEASE CONTACT US FOR PART NUMBERS, HOW TO ORDER,
ADDITIONAL PRODUCT SPECIFICATIONS & OR WITH YOUR CUSTOM REQUIREMENTS