

Flash

3V Only 4 Mbit Serial Flash Memory with Dual Output

■ FEATURES

- Single supply voltage 2.3~3.6V
- Standard, Dual SPI
- Speed
 - Read max frequency: 33MHz
 - Fast Read max frequency: 50MHz; 86MHz; 100MHz
 - Fast Read Dual max frequency: 50MHz / 86MHz (100MHz / 172MHz equivalent Dual SPI)
- Low power consumption
 - Active current: 20 mA
 - Standby current: 25 μ A
 - Deep Power Down current: 10 μ A
- Reliability
 - 100,000 typical program/erase cycles
 - 20 years Data Retention
- Program
 - Page programming time: 0.7 ms (typical)
- Erase
 - Chip erase time 1 sec (typical)
 - Block erase time 0.15 sec (typical)
 - Sector erase time 30 ms (typical)
- Page Programming
 - 256 byte per programmable page
- SPI Serial Interface
 - SPI Compatible: Mode 0 and Mode 3
- End of program or erase detection
- Write Protect (\overline{WP})
- Hold Pin (\overline{HOLD})
- All Pb-free products are RoHS-Compliant

■ ORDERING INFORMATION

Product ID	Speed	Package		Comments
F25L04PA –50PG2D	50MHz	8-lead SOIC	150 mil	Pb-free
F25L04PA –86PG2D	86MHz			
F25L04PA –100PG2D	100MHz			
F25L04PA –50PAG2D	50MHz	8-lead SOIC	200 mil	Pb-free
F25L04PA –86PAG2D	86MHz			
F25L04PA –100PAG2D	100MHz			
F25L04PA –50HG2D	50MHz	8-contact WSON	6x5 mm	Pb-free
F25L04PA –86HG2D	86MHz			
F25L04PA –100HG2D	100MHz			

■ GENERAL DESCRIPTION

The F25L04PA is a 4Megabit, 3V only CMOS Serial Flash memory device. The device supports the standard Serial Peripheral Interface (SPI), and a Dual SPI. ESMT's memory devices reliably store memory data even after 100,000 programming and erase cycles.

The memory array can be organized into 2,048 programmable pages of 256 byte each. 1 to 256 byte can be programmed at a time with the Page Program instruction.

The device features sector erase architecture. The memory array

is divided into 128 uniform sectors with 4K byte each; 8 uniform blocks with 64K byte each. Sectors can be erased individually without affecting the data in other sectors. Blocks can be erased individually without affecting the data in other blocks. Whole chip erase capabilities provide the flexibility to revise the data in the device. The device has Sector, Block or Chip Erase but no page erase.

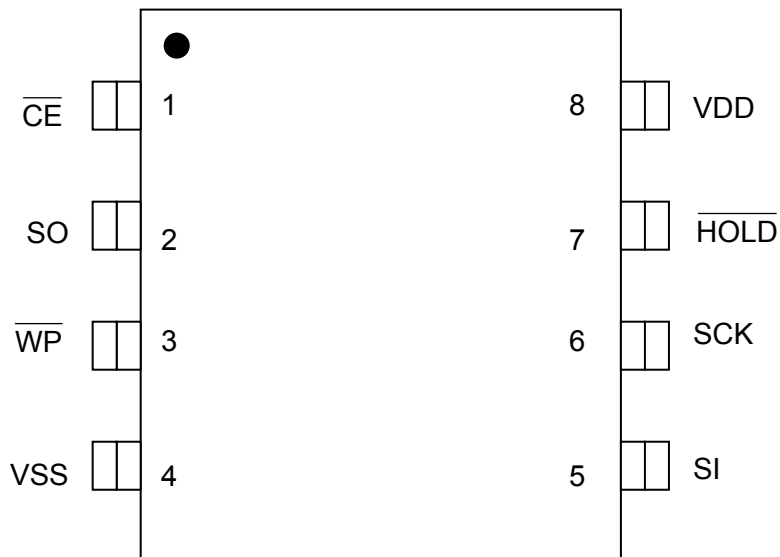
The sector protect/unprotect feature disables both program and erase operations in any combination of the sectors of the memory.

■ PIN CONFIGURATIONS

8- Lead SOIC

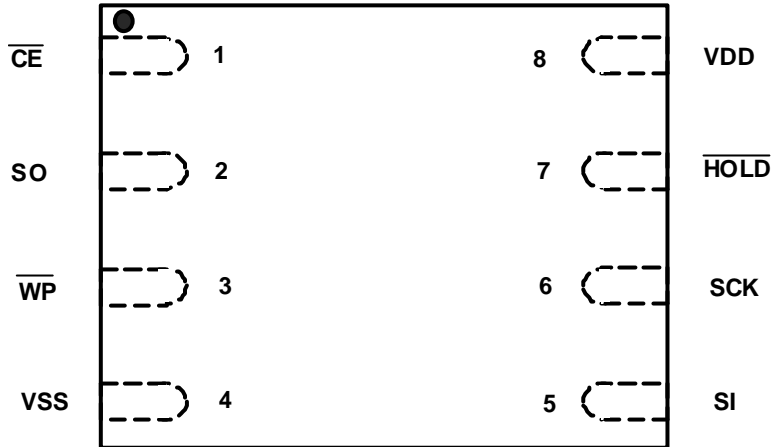
(SOIC 8L, 150mil Body, 1.27mm Pin Pitch)

(SOIC 8L, 208mil Body, 1.27mm Pin Pitch)



8- Contact WSON

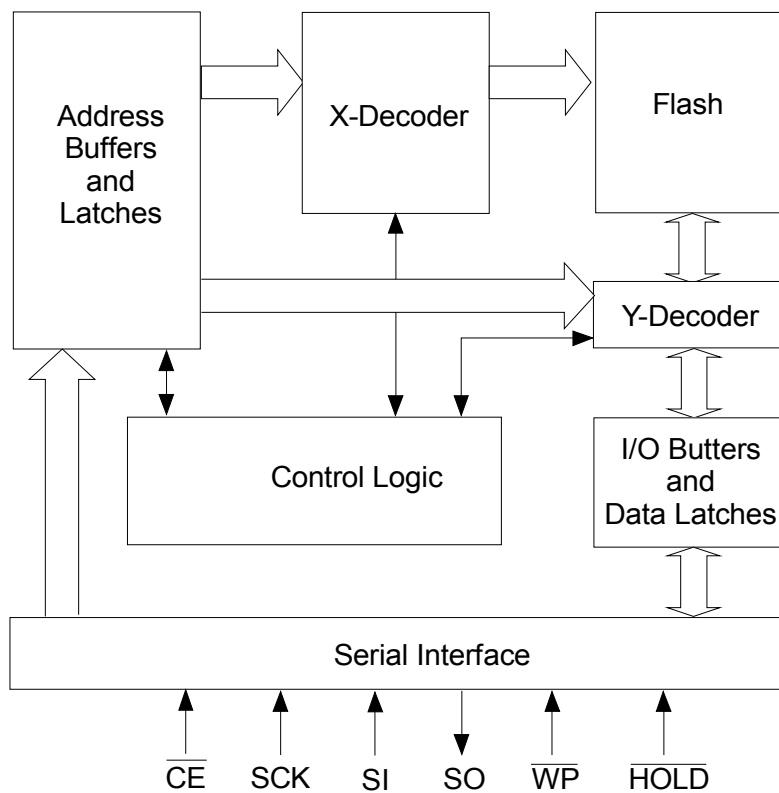
(WSON 8C, 6mmX5mm Body, 1.27mm Contact Pitch)



■ PIN DESCRIPTION

Symbol	Pin Name	Functions
SCK	Serial Clock	To provide the timing for serial input and output operations
SI	Serial Data Input	To transfer commands, addresses or data serially into the device. Data is latched on the rising edge of SCK.
SO	Serial Data Output	To transfer data serially out of the device. Data is shifted out on the falling edge of SCK.
\overline{CE}	Chip Enable	To activate the device when \overline{CE} is low.
\overline{WP}	Write Protect	The Write Protect (\overline{WP}) pin is used to enable/disable BPL bit in the status register.
\overline{HOLD}	Hold	To temporality stop serial communication with SPI flash memory without resetting the device.
VDD	Power Supply	To provide power.
VSS	Ground	

■ **FUNCTIONAL BLOCK DIAGRAM**



■ SECTOR STRUCTURE

Table 1: F25L04PA Sector Address Table

Block	Sector	Sector Size (Kbytes)	Address range	Block Address		
				A18	A17	A16
7	127	4KB	07F000H – 07FFFFH	1	1	1
	:	:	:			
	112	4KB	070000H – 070FFFH			
6	111	4KB	06F000H – 06FFFFH	1	1	0
	:	:	:			
	96	4KB	060000H – 060FFFH			
5	95	4KB	05F000H – 05FFFFH	1	0	1
	:	:	:			
	80	4KB	050000H – 050FFFH			
4	79	4KB	04F000H – 04FFFFH	1	0	0
	:	:	:			
	64	4KB	040000H – 040FFFH			
3	63	4KB	03F000H – 03FFFFH	0	1	1
	:	:	:			
	48	4KB	030000H – 030FFFH			
2	47	4KB	02F000H – 02FFFFH	0	1	0
	:	:	:			
	32	4KB	020000H – 020FFFH			
1	31	4KB	01F000H – 01FFFFH	0	0	1
	:	:	:			
	16	4KB	010000H – 010FFFH			
0	15	4KB	00F000H – 00FFFFH	0	0	0
	:	:	:			
	0	4KB	000000H – 000FFFH			

■ STATUS REGISTER

The software status register provides status on whether the flash memory array is available for any Read or Write operation, whether the device is Write enabled, and the state of the memory Write protection. During an internal Erase or Program operation,

the status register may be read only to determine the completion of an operation in progress. Table 2 describes the function of each bit in the software status register.

Table 2: Software Status Register

Bit	Name	Function	Default at Power-up	Read/Write
0	BUSY	1 = Internal Write operation is in progress 0 = No internal Write operation is in progress	0	R
1	WEL	1 = Device is memory Write enabled 0 = Device is not memory Write enabled	0	R
2	BP0	Indicate current level of block write protection (See Table 3)	0	R/W
3	BP1	Indicate current level of block write protection (See Table 3)	0	R/W
4	BP2	Indicate current level of block write protection (See Table 3)	0	R/W
5	TB	Top / Bottom write protect	0	R/W
6	RESERVED	Reserved for future use	0	N/A
7	BPL	1 = BP2,BP1,BP0 and TB are read-only bits 0 = BP2,BP1,BP0 and TB are read/writable	0	R/W

Note:

1. Only BP0, BP1, BP2, TB and BPL are writable.
2. BP0, BP1, BP2, TB and BPL are non-volatile.
3. All area are unprotected at power-on (BP2=BP1=BP0=0).

WRITE ENABLE LATCH (WEL)

The Write-Enable-Latch bit indicates the status of the internal memory Write Enable Latch. If this bit is set to "1", it indicates the device is Write enabled. If the bit is set to "0" (reset), it indicates the device is not Write enabled and does not accept any memory Write (Program/ Erase) commands. This bit is automatically reset under the following conditions:

- Power-up
- Write Disable (WRDI) instruction completion
- Page Program instruction completion
- Sector Erase instruction completion
- Block Erase instruction completion
- Chip Erase instruction completion
- Write Status Register instructions

BUSY

The Busy bit determines whether there is an internal Erase or Program operation in progress. A "1" for the Busy bit indicates the device is busy with an operation in progress. A "0" indicates the device is ready for the next valid operation.

Top/Bottom Block Protect (TB)

The Top/Bottom bit (TB) controls if the Block-Protection (BP2, BP1, BP0) bits protect from the Top (TB=0) or the Bottom (TB=1) of the array as show in Table 3, The TB bit can be set with Write Status Register (WRSR) instruction. The TB bit can not be written to if the Block- Protection-Look (BPL) bit is 1 or \overline{WP} is low.

Table 3: F25L04PA Block Protection Table

Protection Level	Status Register Bit				Protected Memory Area	
	TB	BP2	BP1	BP0	Block Range	Address Range
0	X	0	0	0	None	None
Upper 1/8	0	0	0	1	Block 7	070000H – 07FFFFH
Upper 1/4	0	0	1	0	Block 6~7	060000H – 07FFFFH
Upper 1/2	0	0	1	1	Block 4~7	040000H – 07FFFFH
Upper 6/8	0	1	0	1	Block 2~7	020000H – 07FFFFH
Upper 7/8	0	1	1	0	Block 1~7	010000H – 07FFFFH
Lower 1/8	1	0	0	1	Block 0	000000H – 00FFFFH
Lower 1/4	1	0	1	0	Block 0~1	000000H – 01FFFFH
Lower 1/2	1	0	1	1	Block 0~3	000000H – 03FFFFH
Lower 6/8	1	1	0	1	Block 0~5	000000H – 05FFFFH
Lower 7/8	1	1	1	0	Block 0~6	000000H – 06FFFFH
All Blocks	X	1	0	0	Block 0~7	000000H – 07FFFFH
All Blocks	X	1	1	1	Block 0~7	000000H – 07FFFFH

Block Protection (BP2, BP1, BP0)

The Block-Protection (BP2, BP1, BP0) bits define the size of the memory area, as defined in Table 3, to be software protected against any memory Write (Program or Erase) operations. The Write Status Register (WRSR) instruction is used to program the BP2, BP1, BP0 bits as long as \overline{WP} is high or the Block-Protection-Look (BPL) bit is 0. Chip Erase can only be executed if Block-Protection bits are all 0. After power-up, BP2, BP1 and BP0 are set to 0.

Block Protection Lock-Down (BPL)

\overline{WP} pin driven low (V_{IL}), enables the Block-Protection-Lock-Down (BPL) bit. When BPL is set to 1, it prevents any further alteration of the TB, BPL, BP2, BP1, and BP0 bits. When the \overline{WP} pin is driven high (V_{IH}), the BPL bit has no effect and its value is "Don't Care". After power-up, the BPL bit is reset to 0.

■ HOLD OPERATION

$\overline{\text{HOLD}}$ pin is used to pause a serial sequence underway with the SPI flash memory without resetting the clocking sequence. To activate the $\overline{\text{HOLD}}$ mode, $\overline{\text{CE}}$ must be in active low state. The $\overline{\text{HOLD}}$ mode begins when the SCK active low state coincides with the falling edge of the $\overline{\text{HOLD}}$ signal. The HOLD mode ends when the $\overline{\text{HOLD}}$ signal's rising edge coincides with the SCK active low state.

If the falling edge of the $\overline{\text{HOLD}}$ signal does not coincide with the SCK active low state, then the device enters Hold mode when the SCK next reaches the active low state.

Similarly, if the rising edge of the $\overline{\text{HOLD}}$ signal does not coincide with the SCK active low state, then the device exits in

Hold mode when the SCK next reaches the active low state. See Figure 1 for Hold Condition waveform.

Once the device enters Hold mode, SO will be in high impedance state while SI and SCK can be V_{IL} or V_{IH} .

If $\overline{\text{CE}}$ is driven active high during a Hold condition, it resets the internal logic of the device. As long as $\overline{\text{HOLD}}$ signal is low, the memory remains in the Hold condition. To resume communication with the device, $\overline{\text{HOLD}}$ must be driven active high, and $\overline{\text{CE}}$ must be driven active low. See Figure 22 for Hold timing.

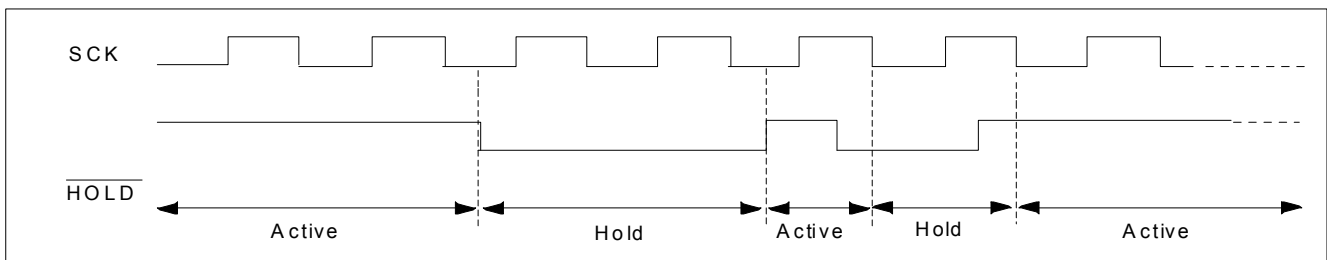


Figure 1: HOLD Condition Waveform

■ WRITE PROTECTION

The device provides software Write Protection.

The Write-Protect pin ($\overline{\text{WP}}$) enables or disables the lock-down function of the status register. The Block-Protection bits (BP2, BP1, BP0, TB and BPL) in the status register provide Write protection to the memory array and the status register. See Table 3 for Block-Protection description.

Write Protect Pin ($\overline{\text{WP}}$)

The Write-Protect ($\overline{\text{WP}}$) pin enables the lock-down function of the BPL bit (bit 7) in the status register. When $\overline{\text{WP}}$ is driven low, the execution of the Write Status Register (WRSR) instruction is determined by the value of the BPL bit (see Table 4). When $\overline{\text{WP}}$ is high, the lock-down function of the BPL bit is disabled.

Table 4: Conditions to Execute Write-Status-Register (WRSR) Instruction

$\overline{\text{WP}}$	BPL	Execute WRSR Instruction
L	1	Not Allowed
L	0	Allowed
H	X	Allowed

■ INSTRUCTIONS

Instructions are used to Read, Write (Erase and Program), and configure the F25L04PA. The instruction bus cycles are 8 bits each for commands (Op Code), data, and addresses. Prior to executing any Page Program, Write Status Register, Sector Erase, Block Erase, or Chip Erase instructions, the Write Enable (WREN) instruction must be executed first. The complete list of the instructions is provided in Table 5. All instructions are synchronized off a high to low transition of \overline{CE} . Inputs will be accepted on the rising edge of SCK starting with the most significant bit. \overline{CE} must be driven low before an instruction is

entered and must be driven high after the last bit of the instruction has been shifted in (except for Read, Read ID, Read Status Register, Read Electronic Signature instructions). Any low to high transition on \overline{CE} , before receiving the last bit of an instruction bus cycle, will terminate the instruction in progress and return the device to the standby mode.

Instruction commands (Op Code), addresses, and data are all input from the most significant bit (MSB) first.

Table 5: Device Operation Instructions

Operation	Max. Freq	Bus Cycle ¹⁻³														
		1		2		3		4		5		6		N		
		S _{IN}	S _{OUT}	S _{IN}	S _{OUT}	S _{IN}	S _{OUT}	S _{IN}	S _{OUT}	S _{IN}	S _{OUT}	S _{IN}	S _{OUT}	S _{IN}	S _{OUT}	
Read	33 MHz	03H	Hi-Z	A ₂₃ -A ₁₆	Hi-Z	A ₁₅ -A ₈	Hi-Z	A ₇ -A ₀	Hi-Z	X	D _{OUT0}	X	D _{OUT1}	X	cont.	
Fast Read ¹³	50MHz ~ 100 MHz	0BH	Hi-Z	A ₂₃ -A ₁₆	Hi-Z	A ₁₅ -A ₈	Hi-Z	A ₇ -A ₀	Hi-Z	X	X	X	D _{OUT0}	X	cont.	
Fast Read Dual Output ^{11,12}	50MHz ~ 86 MHz	3BH		A ₂₃ -A ₁₆		A ₁₅ -A ₈		A ₇ -A ₀		X		D _{OUT0-1}		cont.		
Sector Erase ⁴ (4K Byte)	50MHz ~ 100MHz	20H	Hi-Z	A ₂₃ -A ₁₆	Hi-Z	A ₁₅ -A ₈	Hi-Z	A ₇ -A ₀	Hi-Z	-	-	-	-	-	-	
Block Erase ⁴ (64K Byte)		D8H	Hi-Z	A ₂₃ -A ₁₆	Hi-Z	A ₁₅ -A ₈	Hi-Z	A ₇ -A ₀	Hi-Z	-	-	-	-	-	-	
Chip Erase		60H / C7H	Hi-Z	-	-	-	-	-	-	-	-	-	-	-	-	
Page Program (PP)		02H	Hi-Z	A ₂₃ -A ₁₆	Hi-Z	A ₁₅ -A ₈	Hi-Z	A ₇ -A ₀	Hi-Z	D _{IN0}	Hi-Z	D _{IN1}	Hi-Z	Up to 256 bytes	Hi-Z	
Read Status Register (RDSR) ⁶		05H	Hi-Z	X	D _{OUT}	-	-	-	-	-	-	-	-	-	-	
Write Status Register (WRSR)		01H	Hi-Z	D _{IN}	Hi-Z	-	-	-	-	-	-	-	-	-	-	
Write Enable (WREN) ⁹		06H	Hi-Z	-	-	-	-	-	-	-	-	-	-	-	-	
Write Disable (WRDI)		04H	Hi-Z	-	-	-	-	-	-	-	-	-	-	-	-	
Deep Power Down (DP)		B9h	Hi-Z	-	-	-	-	-	-	-	-	-	-	-	-	
Release from Deep Power Down (RDP)		ABH	Hi-Z	-	-	-	-	-	-	-	-	-	-	-	-	
Read Electronic Signature (RES) ⁷		ABH	Hi-Z	X	X	X	X	X	X	X	12H	-	-	-	-	
Jedec Read ID (JEDEC-ID) ⁸		9FH	Hi-Z	X	8CH	X	30H	X	13H	-	-	-	-	-	-	
Read ID (RDID) ¹⁰		90H	Hi-Z	00H	Hi-Z	00H	Hi-Z	00H	Hi-Z	00H	Hi-Z	X	8CH	X	12H	-
									01H	Hi-Z	X	12H	X	8CH	-	-

Note:

1. Operation: S_{IN} = Serial In, S_{OUT} = Serial Out, Bus Cycle 1 = Op Code
2. X = Dummy Input Cycles (V_{IL} or V_{IH}); - = Non-Applicable Cycles (Cycles are not necessary); cont. = continuous
3. One bus cycle is eight clock periods.
4. Sector Erase addresses: use A_{MS} -A₁₂, remaining addresses can be V_{IL} or V_{IH}
Block Erase addresses: use A_{MS} -A₁₆, remaining addresses can be V_{IL} or V_{IH}
5. To continue programming to the next sequential address location, enter the 8-bit command, followed by the data to be programmed.
6. The Read-Status-Register is continuous with ongoing clock cycles until terminated by a low to high transition on \overline{CE} .
7. The Read-Electronic-Signature is continuous with on going clock cycles until terminated by a low to high transition on \overline{CE} .
8. The Jedec-Read-ID is output first byte 8CH as manufacture ID; second byte 30H as memory type; third byte 13H as

memory capacity.

9. The Write-Enable (WREN) instruction and the Write-Status-Register (WRSR) instruction must work in conjunction of each other. The WRSR instruction must be executed immediately (very next bus cycle) after the WREN instruction to make both instructions effective. WREN can enable WRSR, user just need to execute it. A successful WRSR can reset WREN.
10. The Manufacture ID and Device ID output will repeat continuously until \overline{CE} terminates the instruction.
11. Dual commands use bidirectional IO pins. D_{OUT} and cont. are serial data out; others are serial data in.
12. Dual output data:
IO₀ = (D₆, D₄, D₂, D₀), (D₆, D₄, D₂, D₀)
IO₁ = (D₇, D₅, D₃, D₁), (D₇, D₅, D₃, D₁)

$\underbrace{\hspace{4em}}_{DOUT0}$ $\underbrace{\hspace{4em}}_{DOUT1}$
13. Max Load capacitance is 15pF.

Read (33MHz)

The Read instruction supports up to 33 MHz, it outputs the data starting from the specified address location. The data output stream is continuous through all addresses until terminated by a low to high transition on \overline{CE} . The internal address pointer will automatically increment until the highest memory address is reached. Once the highest memory address is reached, the address pointer will automatically increment to the beginning (wrap-around) of the address space, i.e. for 4Mbit density, once

the data from address location 07FFFFH had been read, the next output will be from address location 000000H.

The Read instruction is initiated by executing an 8-bit command, 03H, followed by address bits [A₂₃-A₀]. \overline{CE} must remain active low for the duration of the Read cycle. See Figure 2 for the Read sequence.

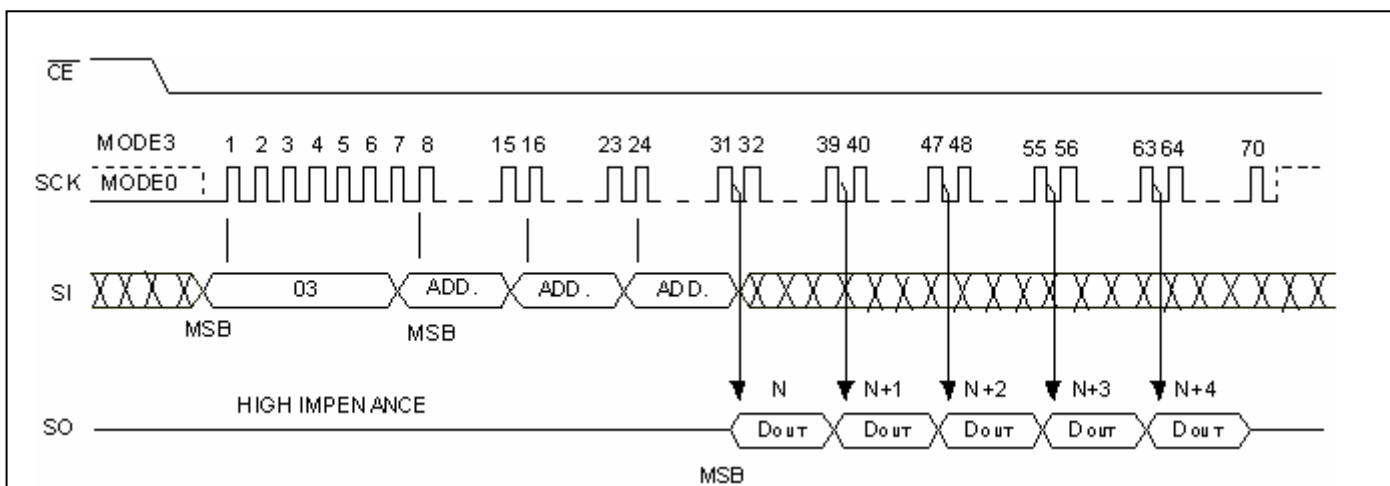


Figure 2: Read Sequence

Fast Read (50 MHz ~ 100 MHz)

The Fast Read instruction supporting up to 100 MHz is initiated by executing an 8-bit command, 0BH, followed by address bits [A₂₃-A₀] and a dummy byte. \overline{CE} must remain active low for the duration of the Fast Read cycle. See Figure 3 for the Fast Read sequence.

all addresses until terminated by a low to high transition on \overline{CE} . The internal address pointer will automatically increment until the highest memory address is reached. Once the highest memory address is reached, the address pointer will automatically increment to the beginning (wrap-around) of the address space, i.e. for 4Mbit density, once the data from address location 07FFFFH has been read, the next output will be from address location 000000H.

Following a dummy byte (8 clocks input dummy cycle), the Fast Read instruction outputs the data starting from the specified address location. The data output stream is continuous through

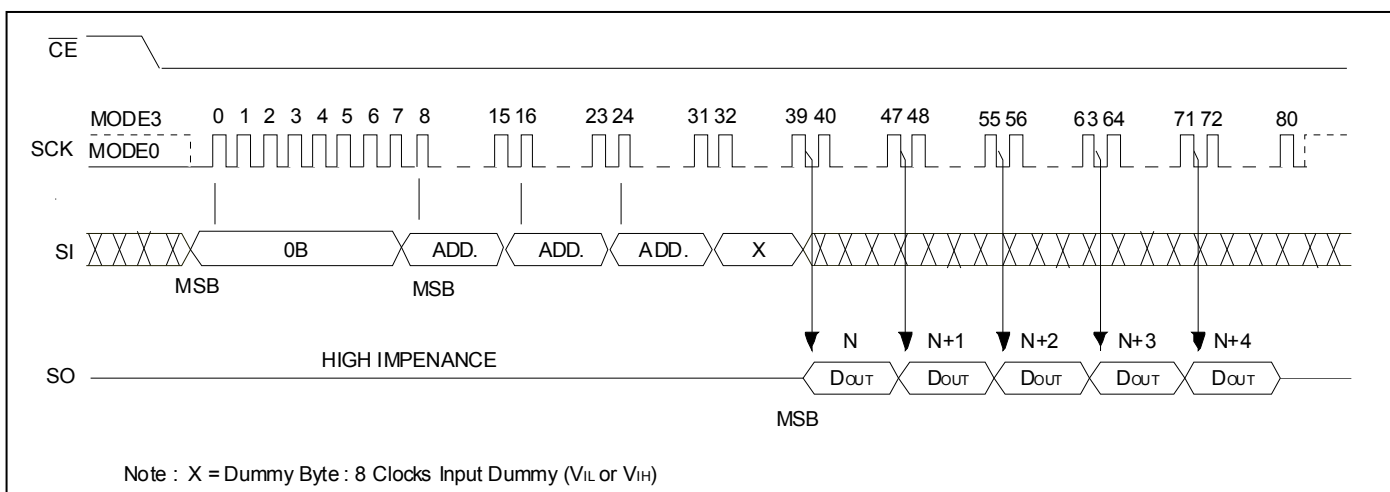


Figure 3: Fast Read Sequence

Fast Read Dual Output (50 MHz ~ 86 MHz)

The Fast Read Dual Output (3BH) instruction is similar to the standard Fast Read (0BH) instruction except the data is output on SI and SO pins. This allows data to be transferred from the device at twice the rate of standard SPI devices. This instruction is for quickly downloading code from Flash to RAM upon power-up or for applications that cache code-segments to RAM for execution.

The Fast Read Dual Output instruction is initiated by executing an 8-bit command, 3BH, followed by address bits [A₂₃-A₀] and a dummy byte. \overline{CE} must remain active low for the duration of the Fast Read Dual Output cycle. See Figure 4 for the Fast Read Dual Output sequence.

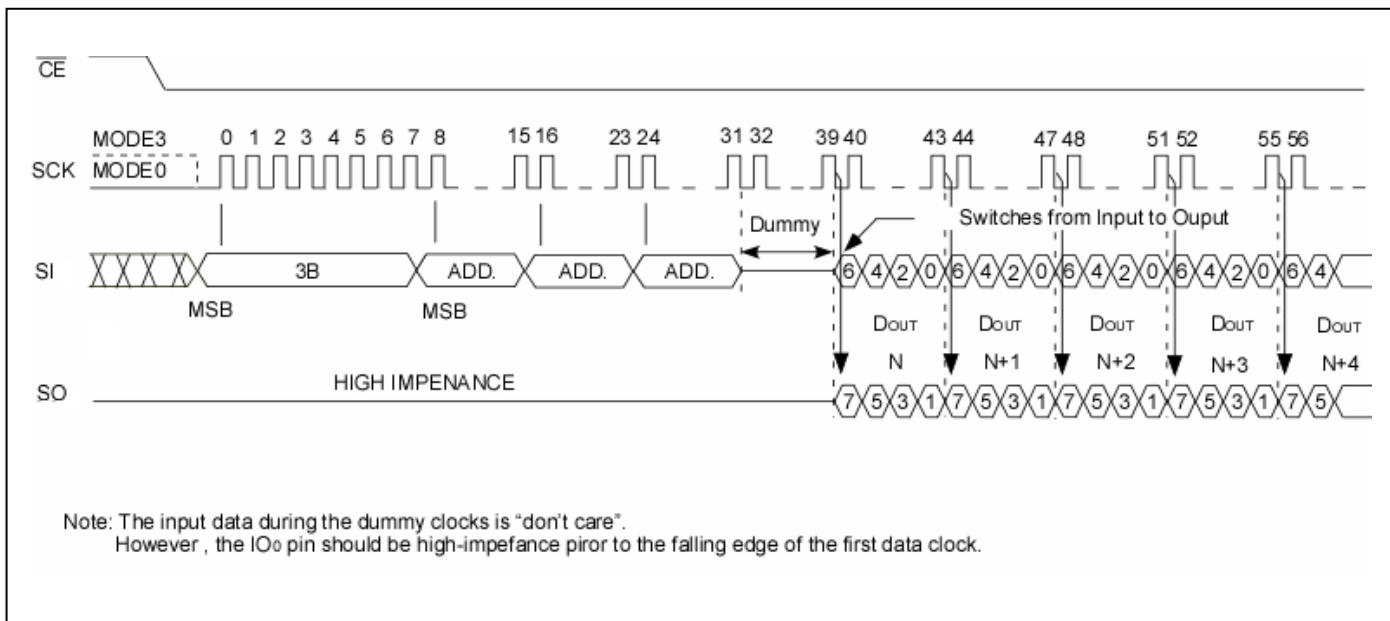


Figure 4: Fast Read Dual Output Sequence

Page Program (PP)

The Page Program instruction allows many bytes to be programmed in the memory. The bytes must be in the erased state (FFH) when initiating a Program operation. A Page Program instruction applied to a protected memory area will be ignored.

Prior to any Write operation, the Write Enable (WREN) instruction must be executed. \overline{CE} must remain active low for the duration of the Page Program instruction. The Page Program instruction is initiated by executing an 8-bit command, 02H, followed by address bits [A₂₃-A₀]. Following the address, at least one byte Data is input (the maximum of input data can be up to 256 bytes). If the 8 least significant address bits [A₇-A₀] are not all zero, all transmitted data that goes beyond the end of the current page are programmed from the start address of the same page (from the address whose 8 least significant bits [A₇-A₀] are all zero).

If more than 256 bytes Data are sent to the device, previously

latched data are discarded and the last 256 bytes Data are guaranteed to be programmed correctly within the same page. If less than 256 bytes Data are sent to device, they are correctly programmed at the requested addresses without having any effects on the other bytes of the same page.

\overline{CE} must be driven high before the instruction is executed. The user may poll the Busy bit in the software status register or wait T_{PP} for the completion of the internal self-timed Page Program operation. While the Page Program cycle is in progress, the Read Status Register instruction may still be accessed for checking the status of the Busy bit. The BUSY bit is a 1 during the Page Program cycle and becomes a 0 when the cycle is finished and the device is ready to accept other instructions again. After the Page Program cycle has finished, the Write-Enable-Latch (WEL) bit in the Status Register is cleared to 0. See Figure 7 for the Page Program sequence.

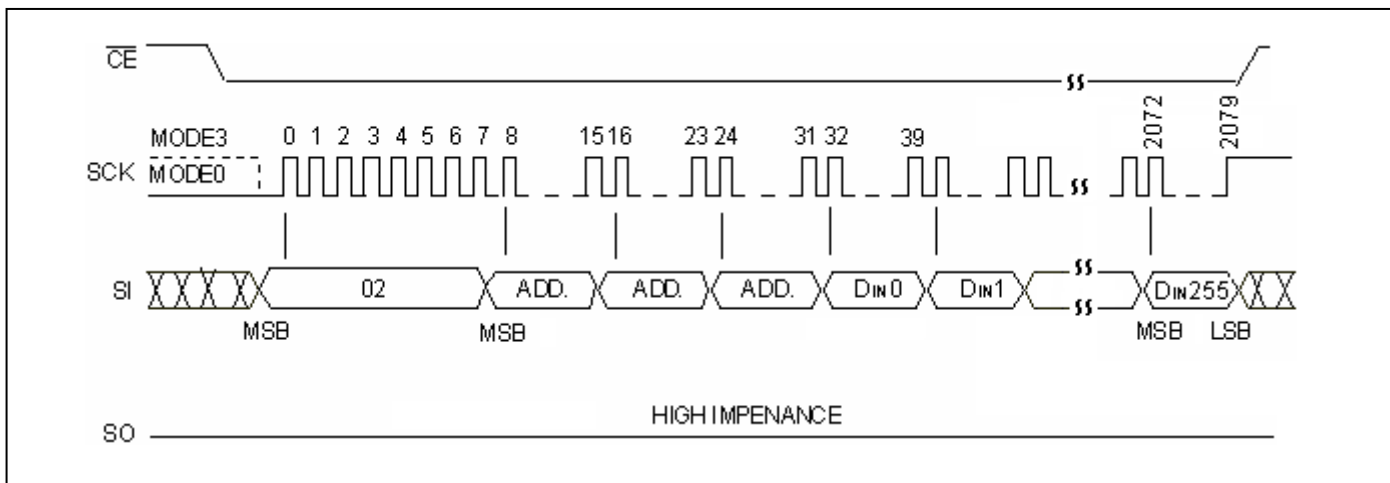


Figure 7: Page Program Sequence

64K Byte Block Erase

The 64K-byte Block Erase instruction clears all bits in the selected block to FFH. A Block Erase instruction applied to a protected memory area will be ignored. Prior to any Write operation, the Write Enable (WREN) instruction must be executed. \overline{CE} must remain active low for the duration of the any command sequence. The Block Erase instruction is initiated by executing an 8-bit command, D8H, followed by address bits [A₂₃

-A₀]. Address bits [A_{MS}-A₁₆] (A_{MS} = Most Significant address) are used to determine the block address (BA_x), remaining address bits can be V_{IL} or V_{IH}. \overline{CE} must be driven high before the instruction is executed. The user may poll the Busy bit in the Software Status Register or wait T_{BE} for the completion of the internal self-timed Block Erase cycle. See Figure 8 for the Block Erase sequence.

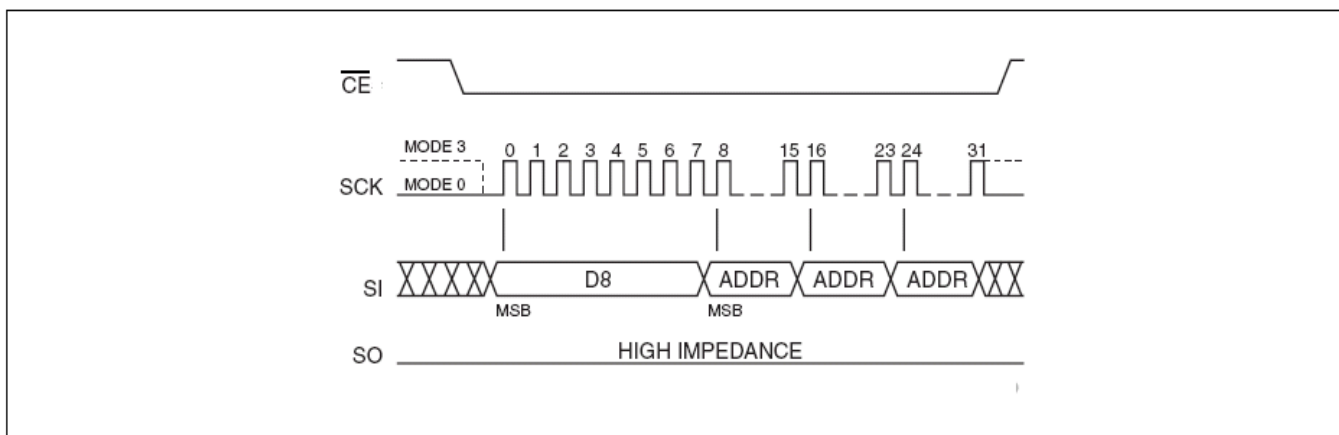


Figure 8: 64K-byte Block Erase Sequence

4K Byte Sector Erase

The Sector Erase instruction clears all bits in the selected sector to FFH. A Sector Erase instruction applied to a protected memory area will be ignored. Prior to any Write operation, the Write Enable (WREN) instruction must be executed. \overline{CE} must remain active low for the duration of the any command sequence. The Sector Erase instruction is initiated by executing an 8-bit command, 20H, followed by address bits [A₂₃-A₀]. Address bits

[A_{MS}-A₁₂] (A_{MS} = Most Significant address) are used to determine the sector address (SA_x), remaining address bits can be V_{IL} or V_{IH}. \overline{CE} must be driven high before the instruction is executed. The user may poll the Busy bit in the Software Status Register or wait T_{SE} for the completion of the internal self-timed Sector Erase cycle. See Figure 9 for the Sector Erase sequence.

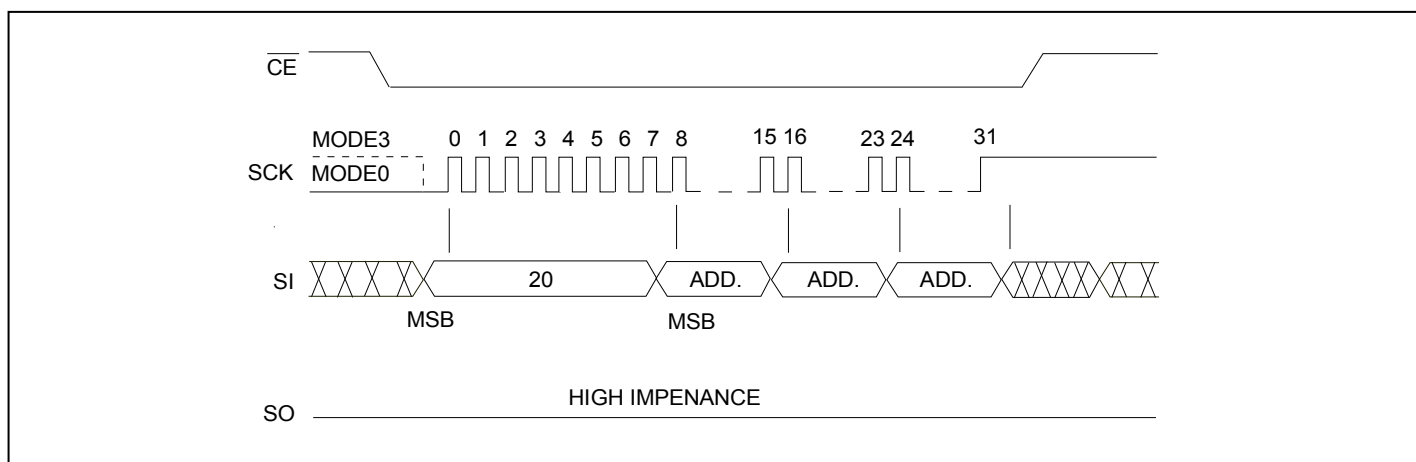


Figure 9: 4K-byte Sector Erase Sequence

Chip Erase

The Chip Erase instruction clears all bits in the device to FFH. A Chip Erase instruction will be ignored if any of the memory area is protected. Prior to any Write operation, the Write Enable (WREN) instruction must be executed. \overline{CE} must remain active low for the duration of the Chip-Erase instruction sequence. The Chip

Erase instruction is initiated by executing an 8-bit command, 60H or C7H. \overline{CE} must be driven high before the instruction is executed. The user may poll the Busy bit in the Software Status Register or wait T_{CE} for the completion of the internal self-timed Chip Erase cycle. See Figure 10 for the Chip Erase sequence.

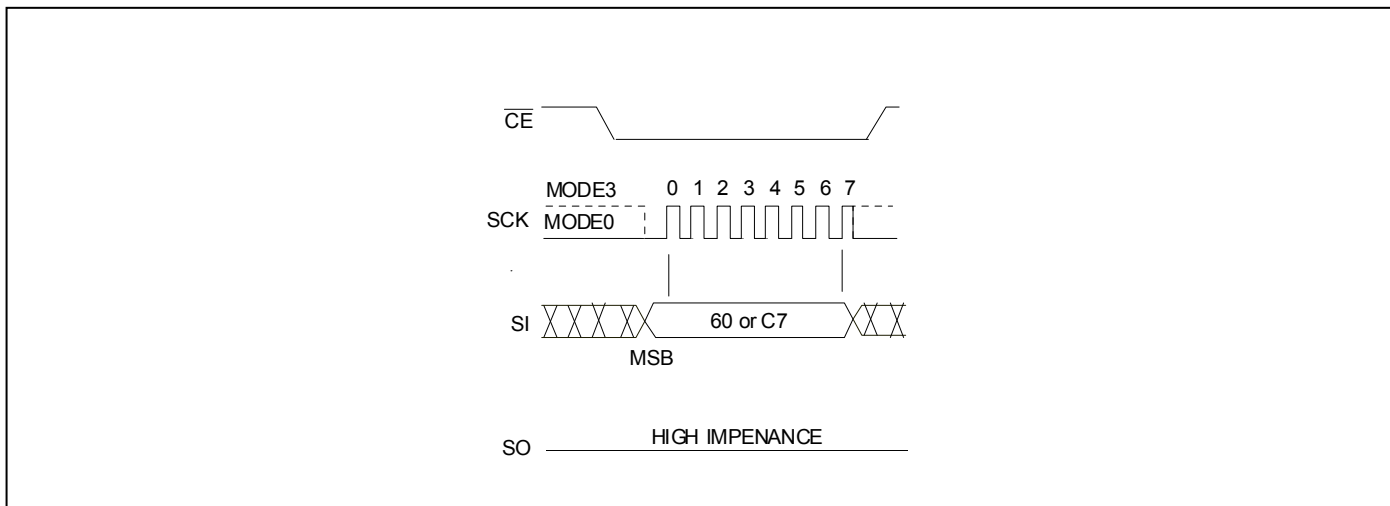


Figure 10: Chip Erase Sequence

Read Status Register (RDSR)

The Read Status Register (RDSR) instruction allows reading of the status register. The status register may be read at any time even during a Write (Program/Erase) operation. When a Write operation is in progress, the Busy bit may be checked before sending any new commands to assure that the new commands are properly received by the device.

\overline{CE} must be driven low before the RDSR instruction is entered and remain low until the status data is read. Read Status Register is continuous with ongoing clock cycles until it is terminated by a low to high transition of the \overline{CE} . See Figure 11 for the RDSR instruction sequence.

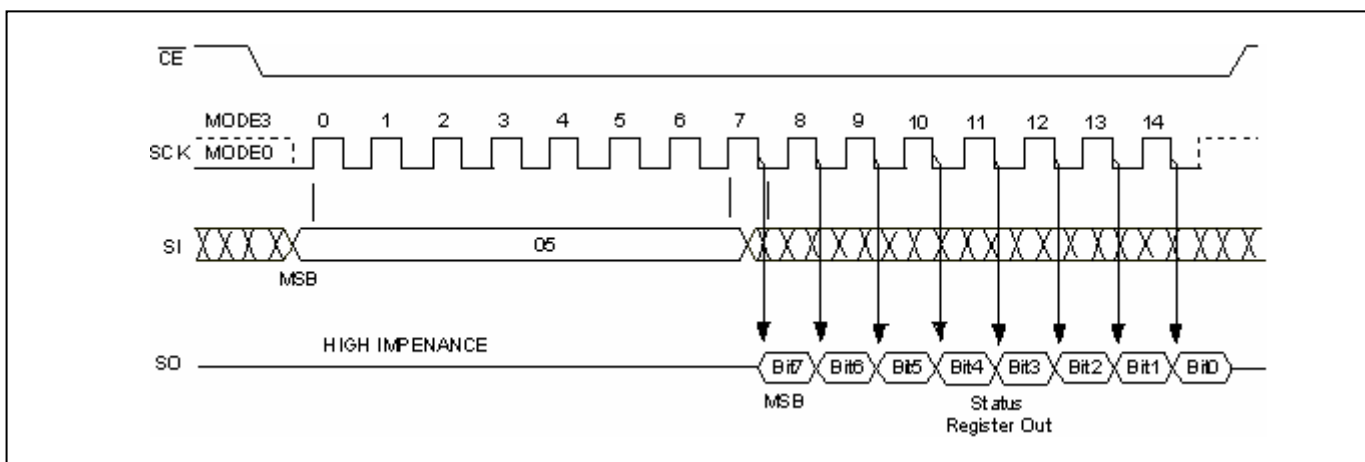


Figure 11: Read Status Register (RDSR) Sequence

Write Enable (WREN)

The Write Enable (WREN) instruction sets the Write-Enable-Latch bit in the Software Status Register to 1 allowing Write operations to occur.

The WREN instruction must be executed prior to any Write

(Program/Erase) operation. \overline{CE} must be driven high before the WREN instruction is executed.

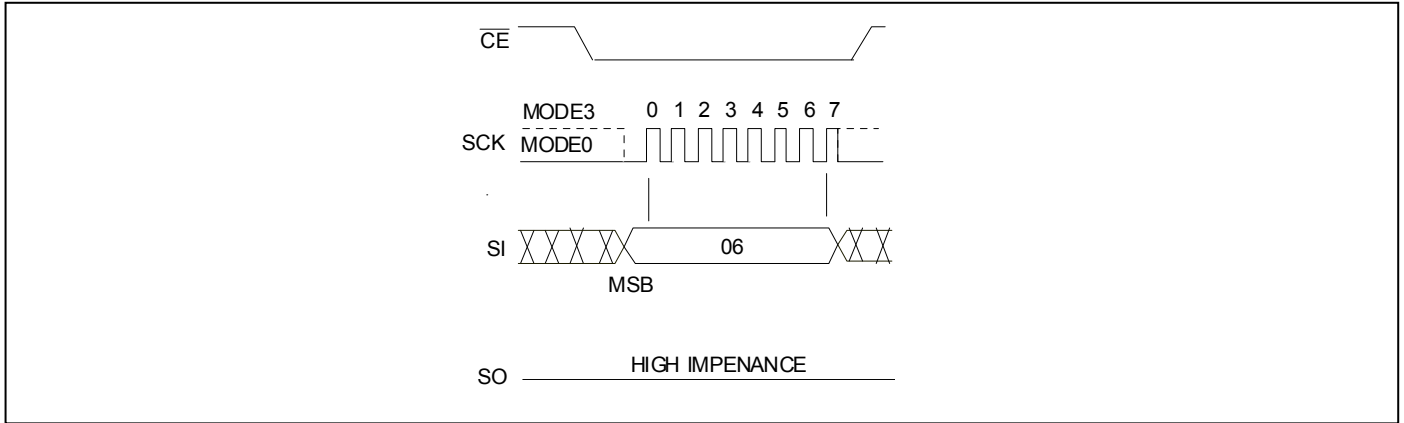


Figure 12: Write Enable (WREN) Sequence

Write Disable (WRDI)

The Write Disable (WRDI) instruction resets the Write-Enable-Latch bit to 0 disabling any new Write operations from occurring.

\overline{CE} must be driven high before the WRDI instruction is executed.

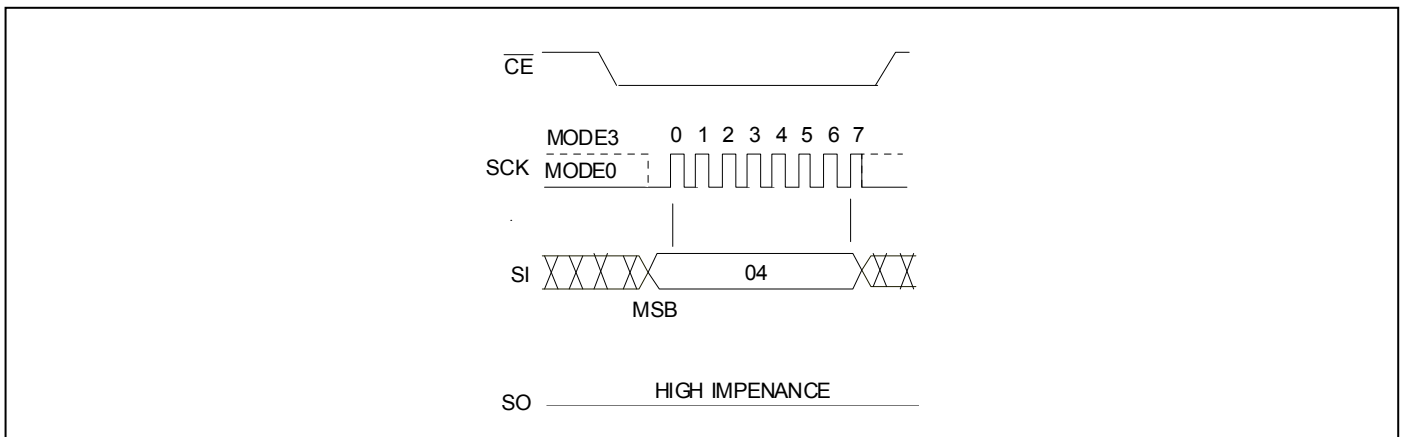


Figure 13: Write Disable (WRDI) Sequence

Write-Status-Register (WRSR)

The Write Status Register instruction writes new values to the BP2, BP1, BP0, TB and BPL bits of the status register. \overline{CE} must be driven low before the command sequence of the WRSR instruction is entered and driven high before the WRSR instruction is executed. See Figure 14 for WREN and WRSR instruction sequences.

Executing the Write Status Register instruction will be ignored when \overline{WP} is low and BPL bit is set to "1". When the \overline{WP} is low, the BPL bit can only be set from "0" to "1" to lock down the status register, but cannot be reset from "1" to "0".

When \overline{WP} is high, the lock-down function of the BPL bit is disabled and the BPL, TB, BP0, BP1, and BP2 bits in the status register can all be changed. As long as BPL bit is set to 0 or \overline{WP} pin is driven high (V_{IH}) prior to the low-to-high transition of the \overline{CE} pin at the end of the WRSR instruction, the bits in the status register can all be altered by the WRSR instruction. In this case, a single WRSR instruction can set the BPL bit to "1" to lock down the status register as well as altering the TB, BP0; BP1 and BP2 bits at the same time. See Table 4 for a summary description of \overline{WP} and BPL functions.

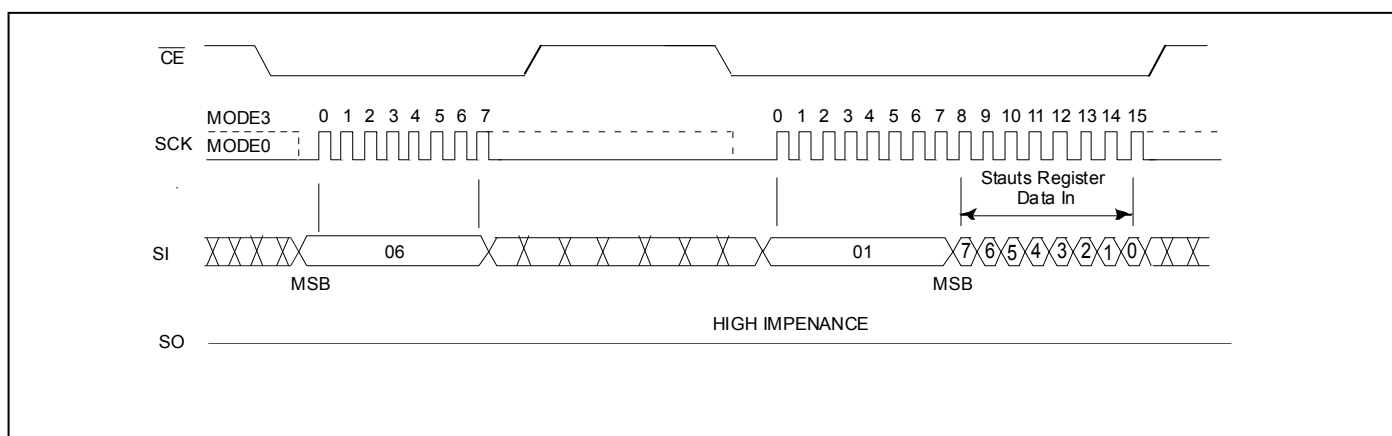


Figure 14: Write-Enable (WREN) and Write-Status-Register (WRSR)

Deep Power Down (DP)

The Deep Power Down instruction is for minimizing power consumption (the standby current is reduced from I_{SB1} to I_{SB2}).

This instruction is initiated by executing an 8-bit command, B9H, and then \overline{CE} must be driven high. After \overline{CE} is driven high, the device will enter to deep power down within the duration of T_{DP} .

Once the device is in deep power down status, all instructions will be ignored except the Release from Deep Power Down instruction (RDP) and Read Electronic Signature instruction (RES). The device always power-up in the normal operation with the standby current (I_{SB1}). See Figure 15 for the Deep Power Down instruction.

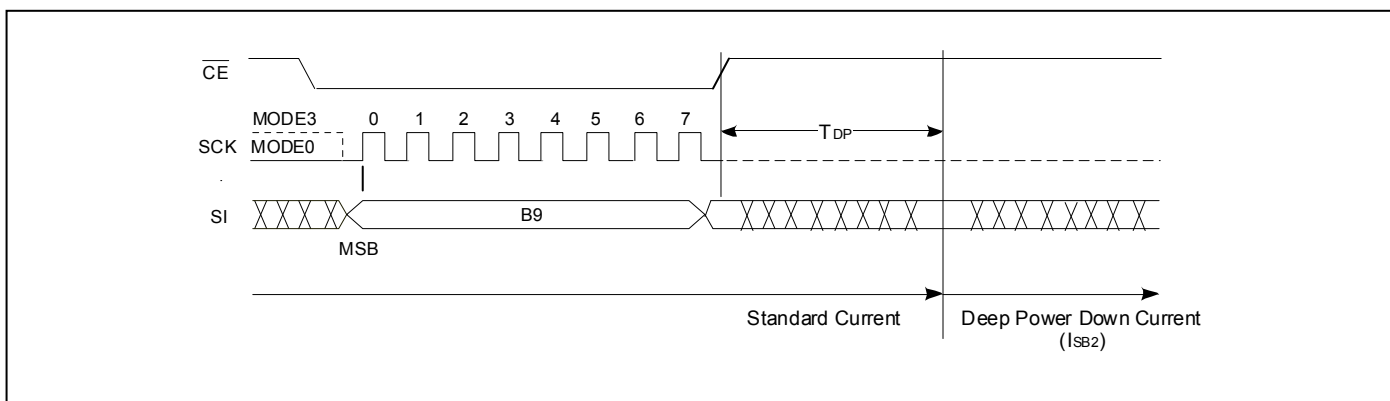


Figure 15: Deep Power Down Instruction

Release from Deep Power Down (RDP) and Read-Electronic-Signature (RES)

The Release from Deep Power Down and Read-Electronic-Signature instruction is a multi-purpose instruction.

The instruction can be used to release the device from the deep power down status. This instruction is initiated by driving \overline{CE} low and executing an 8-bit command, ABH, and then drive \overline{CE} high. See Figure 16 for RDP instruction. Release from the deep power down will take the duration of T_{RES1} before the device will resume normal operation and other instructions are accepted. \overline{CE} must remain high during T_{RES1} .

The instruction also can be used to read the 8-bit Electronic-Signature of the device on the SO pin. It is initiated by driving

\overline{CE} low and executing an 8-bit command, ABH, followed by 3 dummy bytes. The Electronic-Signature byte is then output from the device. The Electronic-Signature can be read continuously until \overline{CE} go high. See Figure 17 for RES sequence. After driving \overline{CE} high, it must remain high during for the duration of T_{RES2} , and then the device will resume normal operation and other instructions are accepted.

The instruction is executed while an Erase, Program or WRSR cycle is in progress is ignored and has no effect on the cycle in progress.

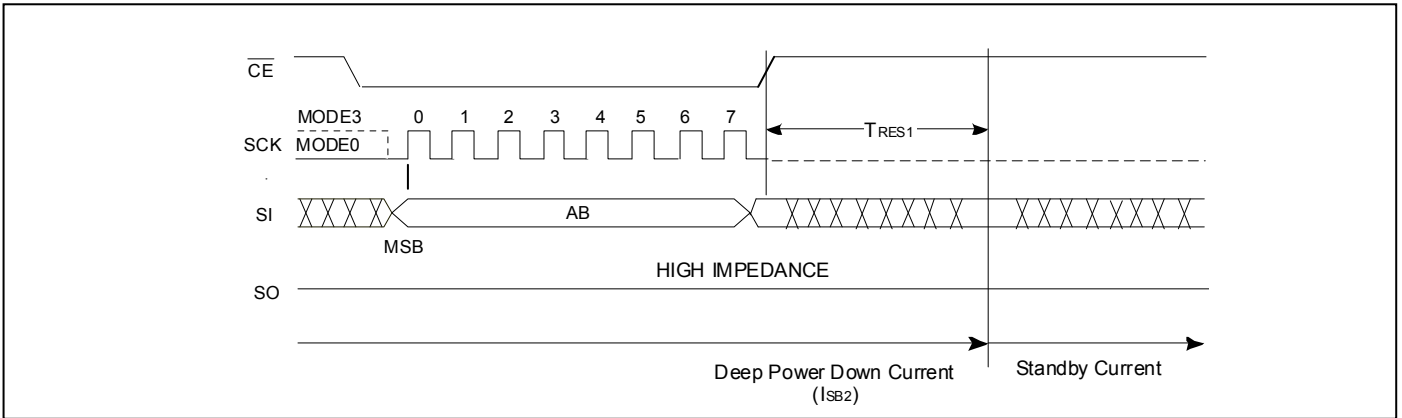


Figure 16: Release from Deep Power Down (RDP) Instruction

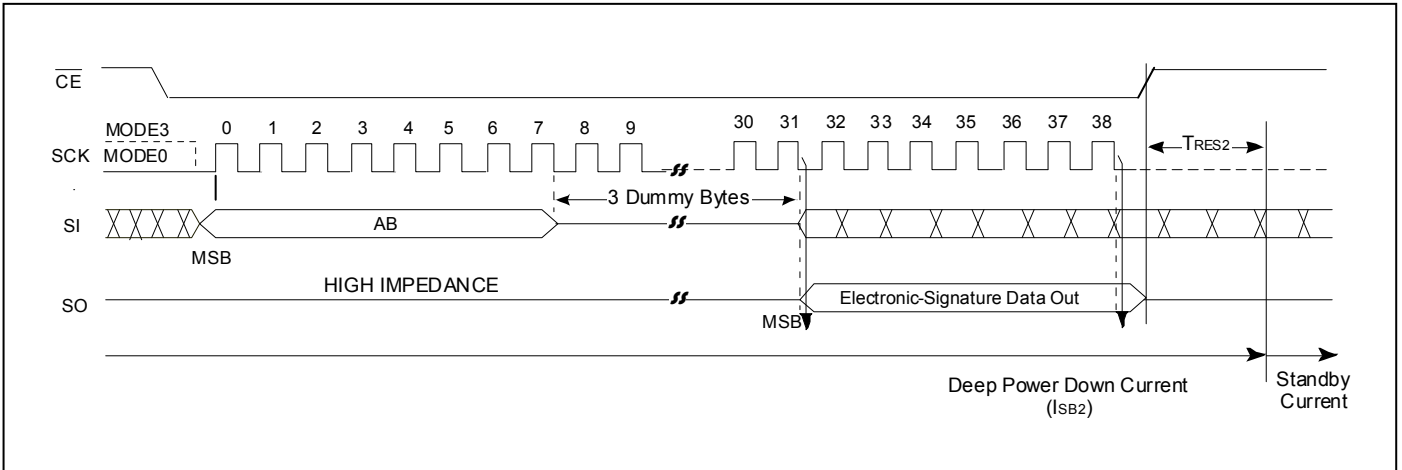


Figure 17: Read Electronic -Signature (RES) Sequence

Table 6: Electronic Signature Data

Command	Electronic Signature Data
RES	12H

JEDEC Read-ID

The JEDEC Read-ID instruction identifies the device as F25L04PA and the manufacturer as ESMT. The device information can be read from executing the 8-bit command, 9FH. Following the JEDEC Read-ID instruction, the 8-bit manufacturer's ID, 8CH, is output from the device. After that, a 16-bit device ID is shifted out on the SO pin. Byte1, 8CH, identifies the manufacturer as ESMT. Byte2, 30H, identifies the memory type as SPI Flash. Byte3, 13H, identifies the device as

F25L04PA. The instruction sequence is shown in Figure 18. The JEDEC Read ID instruction is terminated by a low to high transition on \overline{CE} at any time during data output. If no other command is issued after executing the JEDEC Read-ID instruction, issue a 00H (NOP) command before going into Standby Mode ($\overline{CE} = V_{IH}$).

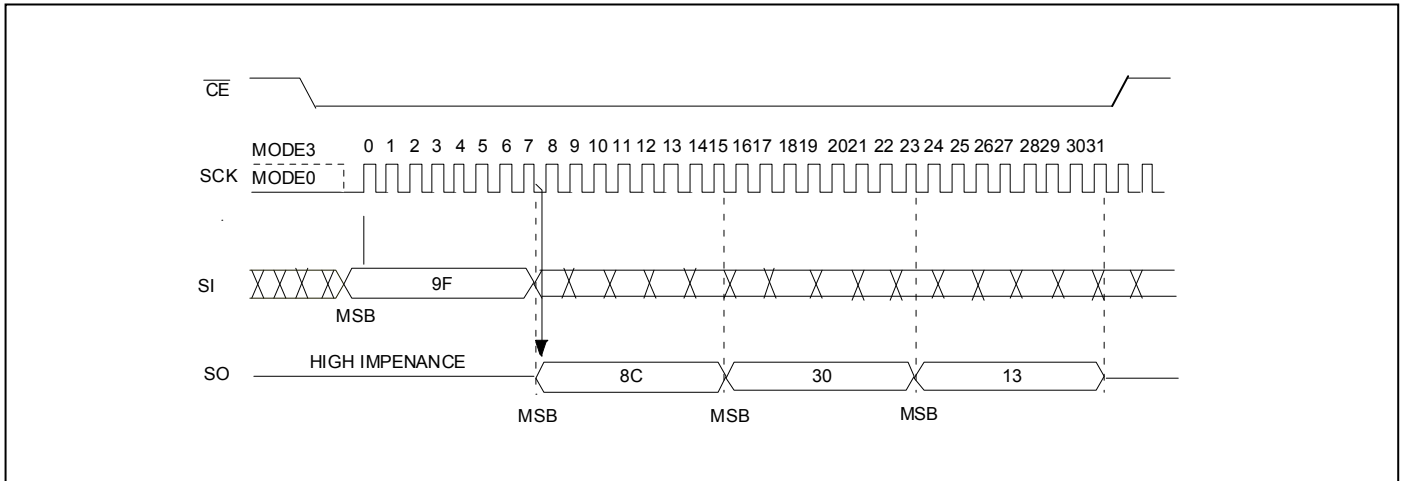


Figure 18: JEDEC Read-ID Sequence

Table 7: JEDEC READ-ID Data

Manufacturer's ID (Byte 1)	Device ID	
	Memory Type (Byte 2)	Memory Capacity (Byte 3)
8CH	30H	13H

Read-ID (RDID)

The Read-ID instruction (RDID) identifies the devices as F25 L04PA and manufacturer as ESMT. This command is backward compatible to all ESMT SPI devices and should be used as default device identification when multiple versions of ESMT SPI devices are used in one design. The device information can be read from executing an 8-bit command, 90H, followed by address bits [A₂₃ -A₀]. Following the Read-ID instruction, the

manufacturer's ID is located in address 000000H and the device ID is located in address 000001H. Once the device is in Read-ID mode, the manufacturer's and device ID output data toggles between address 000000H and 000001H until terminated by a low to high transition on \overline{CE} .

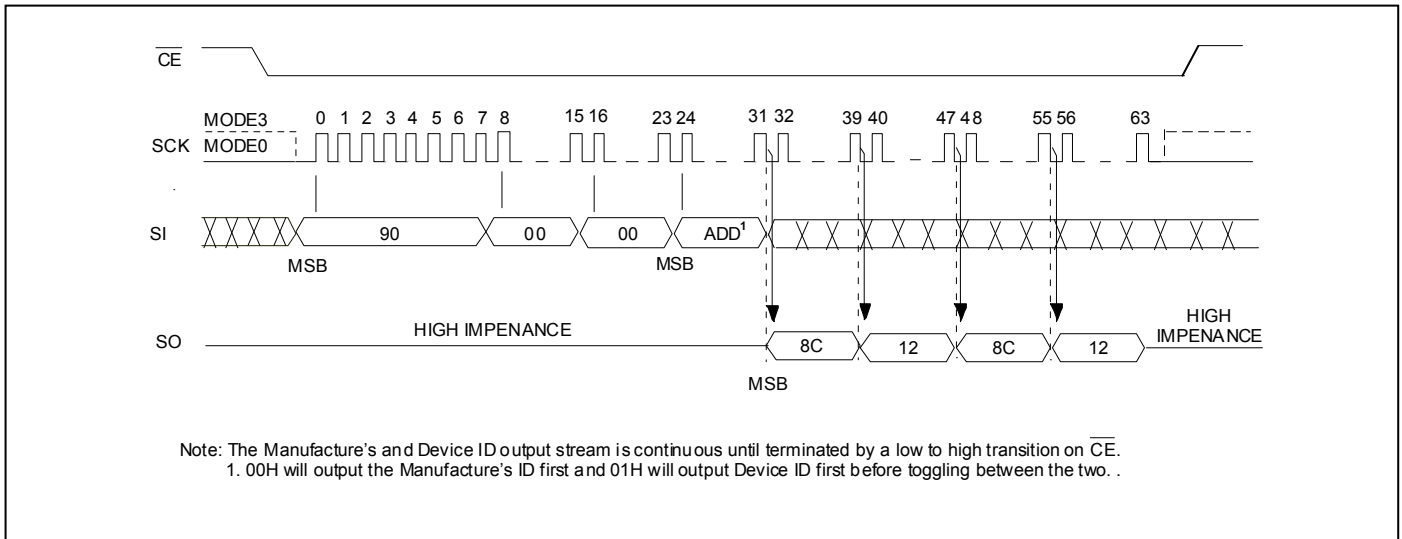


Figure 19: Read-ID Sequence

Table 8: Product ID Data

Address	Byte1	Byte2
000000H	8CH	12H
	Manufacturer's ID	Device ID ESMT F25L04PA
000001H	12H	8CH
	Device ID ESMT F25L04PA	Manufacturer's ID

■ ELECTRICAL SPECIFICATIONS

Absolute Maximum Stress Ratings

(Applied conditions are greater than those listed under “Absolute Maximum Stress Ratings” may cause permanent damage to the device. This is a stress rating only and functional operation of the device at these conditions or conditions greater than those defined in the operational sections of this datasheet is not implied. Exposure to absolute maximum stress rating conditions may affect device reliability.)

Storage Temperature	-65°C to +150°C
D. C. Voltage on Any Pin to Ground Potential	-0.5V to VDD+0.5V
Transient Voltage (<20 ns) on Any Pin to Ground Potential	-2.0V to VDD+2.0V
Package Power Dissipation Capability (T _A = 25°C)	1.0W
Surface Mount Lead Soldering Temperature (3 Seconds)	260°C
Output Short Circuit Current (Note 1)	50 mA

(Note 1: Output shorted for no more than one second. No more than one output shorted at a time.)

AC CONDITIONS OF TEST

Input Rise/Fall Time	5 ns
Output Load	C _L = 15 pF for ≥ 75MHz
.....	C _L = 30 pF for ≤ 50MHz
See Figures 25 and 26	

OPERATING RANGE

Parameter	Symbol	Value	Unit
Operating Supply Voltage	V _{DD}	2.3 ~ 3.6	V
Ambient Operating Temperature	T _A	-40 ~ +85	°C

Table 9: DC OPERATING CHARACTERISTICS

Symbol	Parameter		Limits			Test Condition
			Min	Max	Unit	
I _{DDR1}	Read Current @33 MHz	Standard		8	mA	$\overline{CE} = 0.1 V_{DD}/0.9 V_{DD}$, SO=open
		Dual		10		
I _{DDR2}	Read Current @ 50MHz	Standard		12	mA	$\overline{CE} = 0.1 V_{DD}/0.9 V_{DD}$, SO=open
		Dual		14		
I _{DDR3}	Read Current @ 86MHz	Standard		16	mA	$\overline{CE} = 0.1 V_{DD}/0.9 V_{DD}$, SO=open
		Dual		18		
I _{DDR4}	Read Current @ 100MHz	Standard		20	mA	$\overline{CE} = 0.1 V_{DD}/0.9 V_{DD}$, SO=open
I _{DDW}	Program and Erase Current			15	mA	$\overline{CE} = V_{DD}$
I _{SB1}	Standby Current			25	μA	$\overline{CE} = V_{DD}$, V _{IN} = V _{DD} or V _{SS}
I _{SB2}	Deep Power Down Current			10	μA	$\overline{CE} = V_{DD}$, V _{IN} = V _{DD} or V _{SS}
I _{LI}	Input Leakage Current			±2	μA	V _{IN} =GND to V _{DD} , V _{DD} =V _{DD} Max
I _{LO}	Output Leakage Current			±2	μA	V _{OUT} =GND to V _{DD} , V _{DD} =V _{DD} Max
V _{IL}	Input Low Voltage		-0.5	0.3 x V _{DD}	V	V _{DD} =V _{DD} Min
V _{IH}	Input High Voltage		0.7 x V _{DD}	V _{DD} +0.4	V	V _{DD} =V _{DD} Max
V _{OL}	Output Low Voltage			0.4	V	I _{OL} = 1.6 mA, V _{DD} =V _{DD} Min
V _{OH}	Output High Voltage		V _{DD} -0.2		V	I _{OH} =-100 μA, V _{DD} =V _{DD} Min

Table 10: CAPACITANCE (TA = 25°C, f=1 MHz, other pins open)

Parameter	Description	Test Condition	Maximum
C _{OUT} ¹	Output Pin Capacitance	V _{OUT} = 0V	8 pF
C _{IN} ¹	Input Capacitance	V _{IN} = 0V	6 pF

Note 1: This parameter is measured only for initial qualification and after a design or process change that could affect this parameter.

Table 11: AC OPERATING CHARACTERISTICS

Symbol	Parameter	Normal 33MHz		Fast 50 MHz		Fast 86 MHz		Fast 100 MHz		Unit
		Min	Max	Min	Max	Min	Max	Min	Max	
F _{CLK}	Serial Clock Frequency		33		50		86		100	MHz
T _{SCKH} ²	Serial Clock High Time	13		9		5		4		ns
T _{SCKL} ²	Serial Clock Low Time	13		9		5		4		ns
T _{CLCH}	Clock Rise Time (Slew Rate)	0.1		0.1		0.1		0.1		V/ns
T _{CHCL}	Clock Fall Time (Slew Rate)	0.1		0.1		0.1		0.1		V/ns
T _{CES} ¹	\overline{CE} Active Setup Time	5		5		5		5		ns
T _{CEH} ¹	\overline{CE} Active Hold Time	5		5		5		5		ns
T _{CHS} ¹	\overline{CE} Not Active Setup Time	5		5		5		5		ns
T _{CHH} ¹	\overline{CE} Not Active Hold Time	5		5		5		5		ns
T _{CPH}	\overline{CE} High Time	100		100		100		100		ns
T _{CHZ}	\overline{CE} High to High-Z Output		6		6		6		6	ns
T _{CLZ}	SCK Low to Low-Z Output	0		0		0		0		ns
T _{DS}	Data In Setup Time	2		2		2		2		ns
T _{DH}	Data In Hold Time	5		5		5		5		ns
T _{HLS}	\overline{HOLD} Low Setup Time	5		5		5		5		ns
T _{HHS}	\overline{HOLD} High Setup Time	5		5		5		5		ns

Table 11: AC OPERATING CHARACTERISTICS - Continued

Symbol	Parameter	Normal 33MHz		Fast 50 MHz		Fast 86 MHz		Fast 100 MHz		Unit
		Min	Max	Min	Max	Min	Max	Min	Max	
T_{HLH}	\overline{HOLD} Low Hold Time	5		5		5		5		ns
T_{HHH}	\overline{HOLD} High Hold Time	5		5		5		5		ns
T_{HZ}^3	\overline{HOLD} Low to High-Z Output		6		6		6		6	ns
T_{LZ}^3	\overline{HOLD} High to Low-Z Output		6		6		6		6	ns
T_{OH}	Output Hold from SCK Change	0		0		0		0		ns
T_V	Output Valid from SCK		12		8		8		8	ns
T_{WHSL}^4	Write Protect Setup Time before \overline{CE} Low		20		20		20		20	ns
T_{SHWL}^4	Write Protect Hold Time after \overline{CE} High		100		100		100		100	ns
T_{DP}^3	\overline{CE} High to Deep Power Down Mode		3		3		3		3	us
T_{RES1}^3	\overline{CE} High to Standby Mode (for DP)		3		3		3		3	us
T_{RES2}^3	\overline{CE} High to Standby Mode (for RES)		1.8		1.8		1.8		1.8	us

- Note:
1. Relative to SCK.
 2. $T_{SCKH} + T_{SCKL}$ must be less than or equal to $1/F_{CLK}$.
 3. Value guaranteed by characterization, not 100% tested in production.
 4. Only applicable as a constraint for a Write status Register instruction when Block- Protection-Look (BPL) bit is set at 1.

ERASE AND PROGRAMMING PERFORMANCE

Parameter	Symbol	Limit		Unit
		Typ ²	Max ³	
Sector Erase Time	T_{SE}	30	250	ms
Block Erase Time	T_{BE}	0.15	1.5	s
Chip Erase Time	T_{CE}	1	5	s
Write Status Register Time	T_W	5	15	ms
Page Programming Time	T_{PP}	0.7	3	ms
Chip Programming Time		3	5	s
Erase/Program Cycles ¹		100,000	-	Cycles
Data Retention		20	-	Years

- Notes:
1. Not 100% Tested, Excludes external system level over head.
 2. Typical values measured at 25°C, 3V.
 3. Maximum values measured at 85°C, 2.3V.

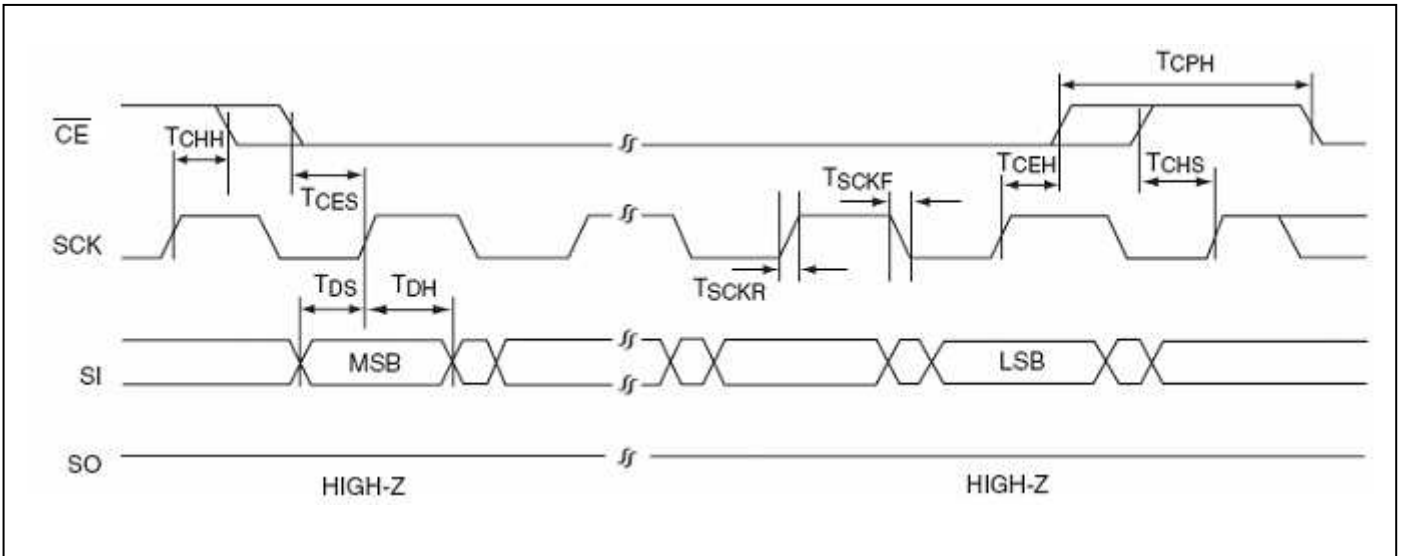


Figure 20: Serial Input Timing Diagram

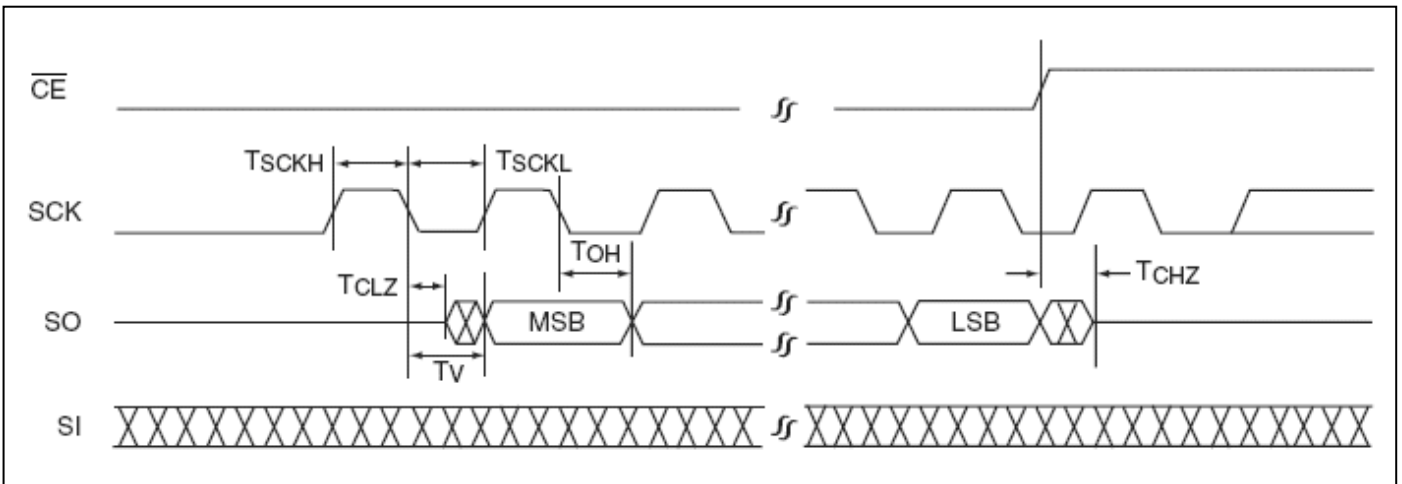


Figure 21: Serial Output Timing Diagram

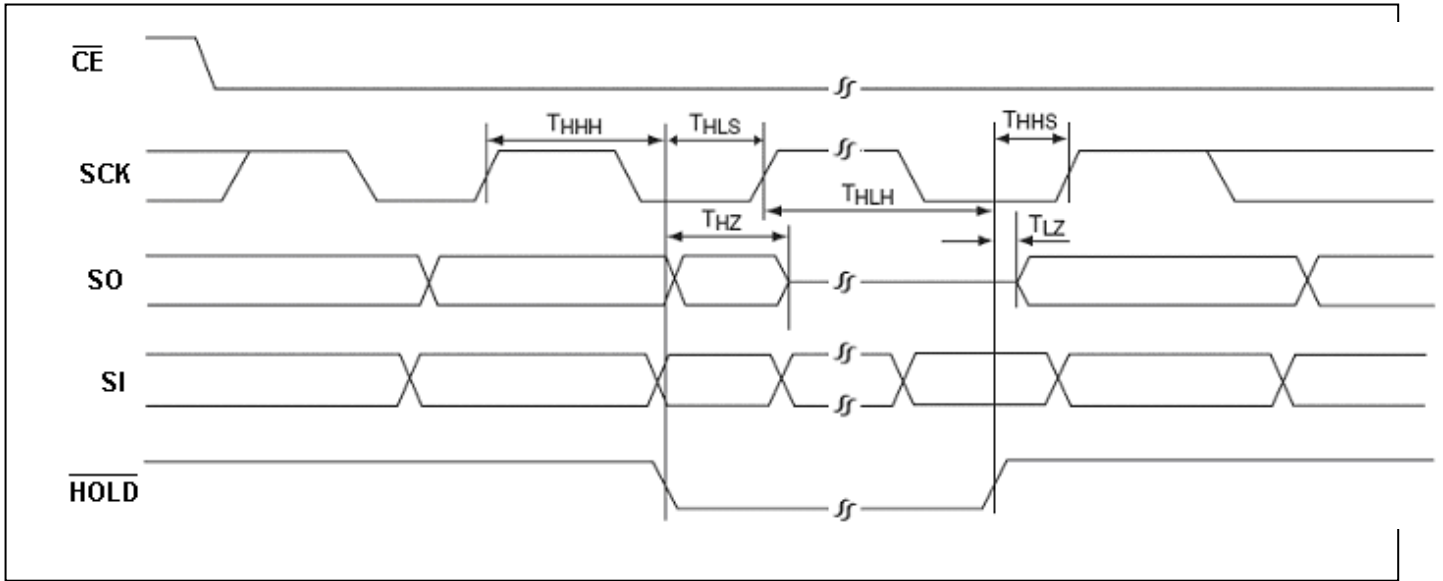


Figure 22: HOLD Timing Diagram

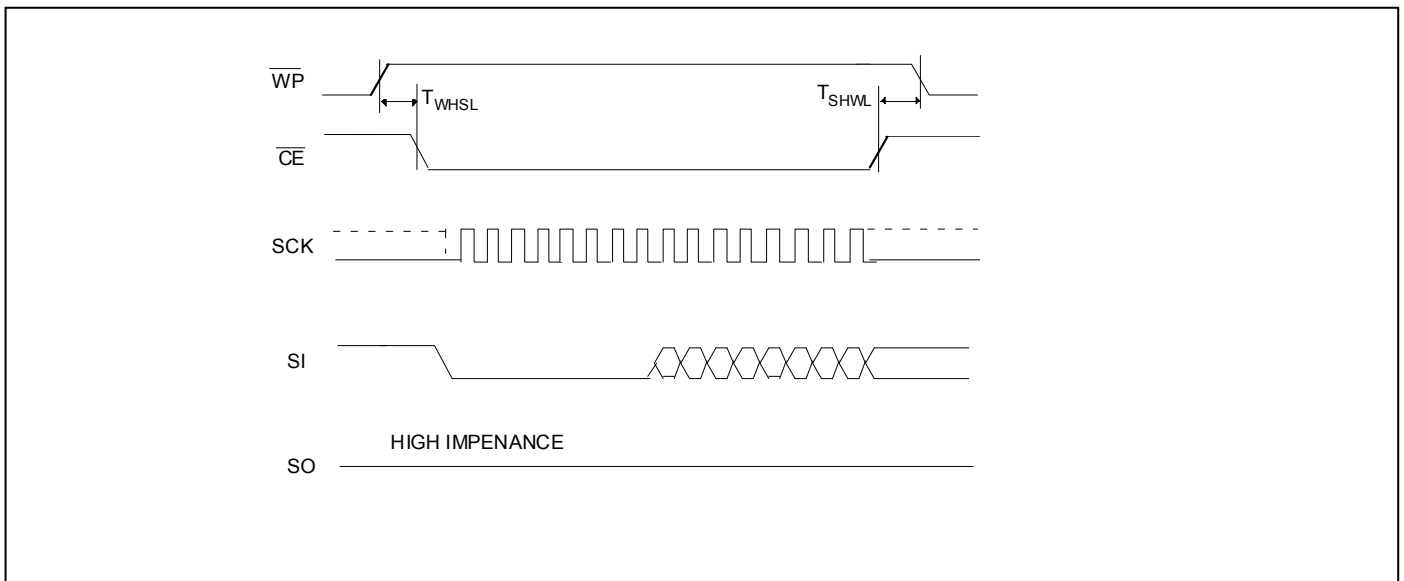


Figure 23: Write Protect setup and hold timing during WRSR when BPL = 1

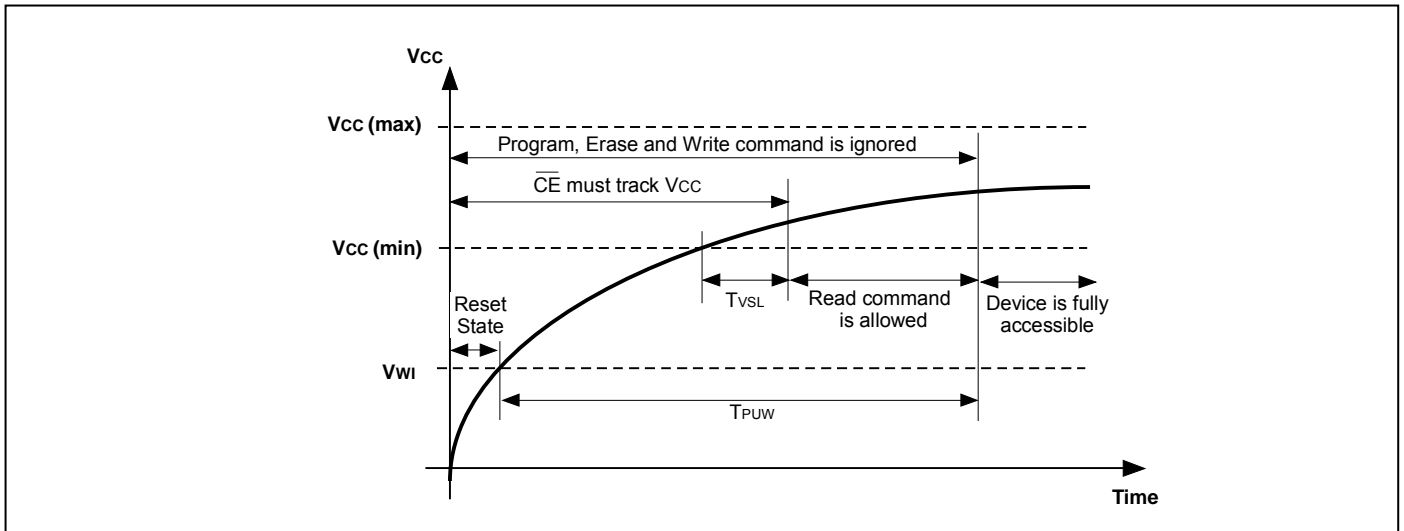


Figure 24: Power-Up Timing Diagram

Table 12: Power-Up Timing and Vwi Threshold

Parameter	Symbol	Min.	Max.	Unit
V _{CC} (min) to \overline{CE} low	T _{VSL}	10		us
Time Delay before Write instruction	T _{PUW}	1	10	ms
Write Inhibit Threshold Voltage	V _{WI}	1	2	V

Note: These parameters are characterized only.

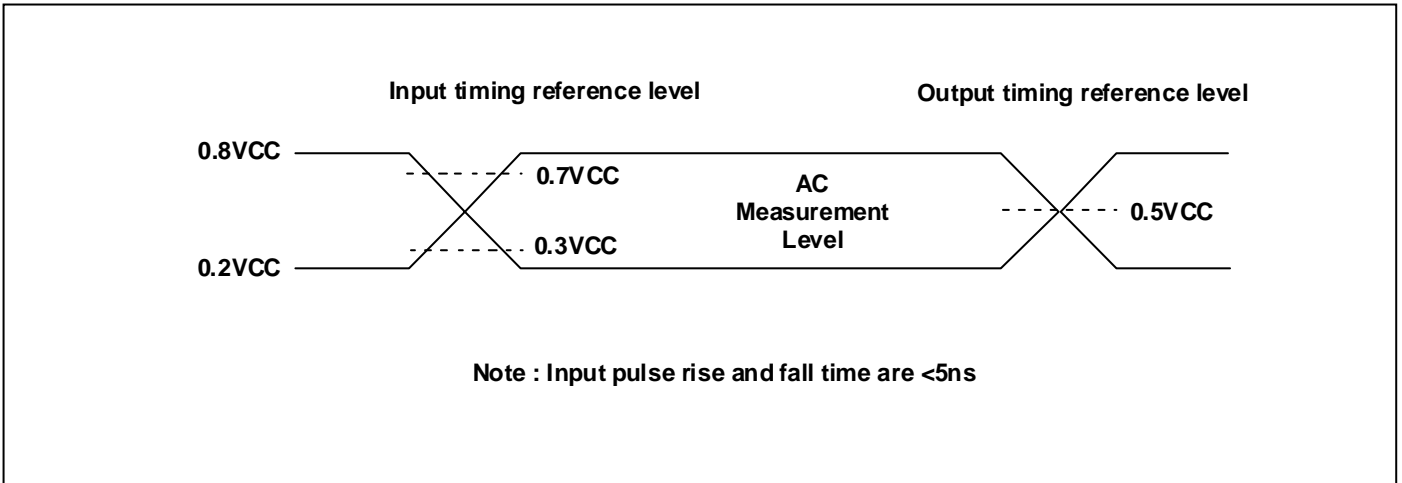


Figure 25: AC Input/Output Reference Waveforms

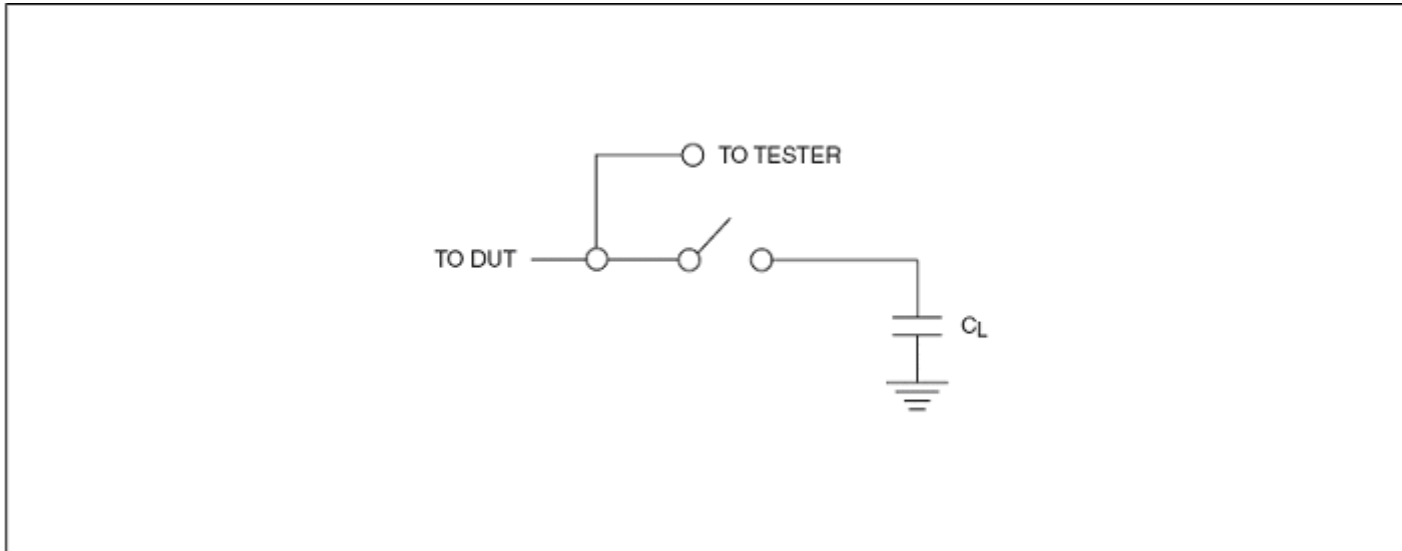
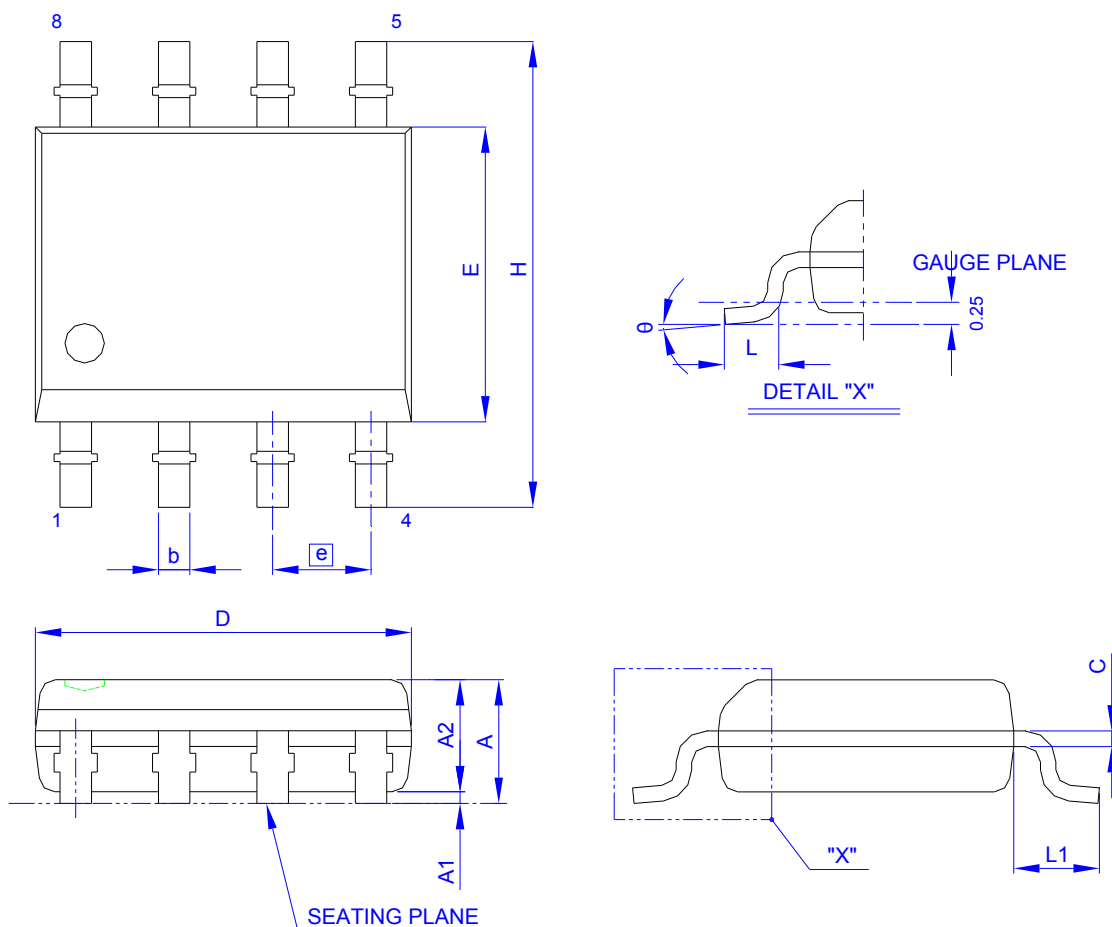


Figure 26: A Teat Load Example

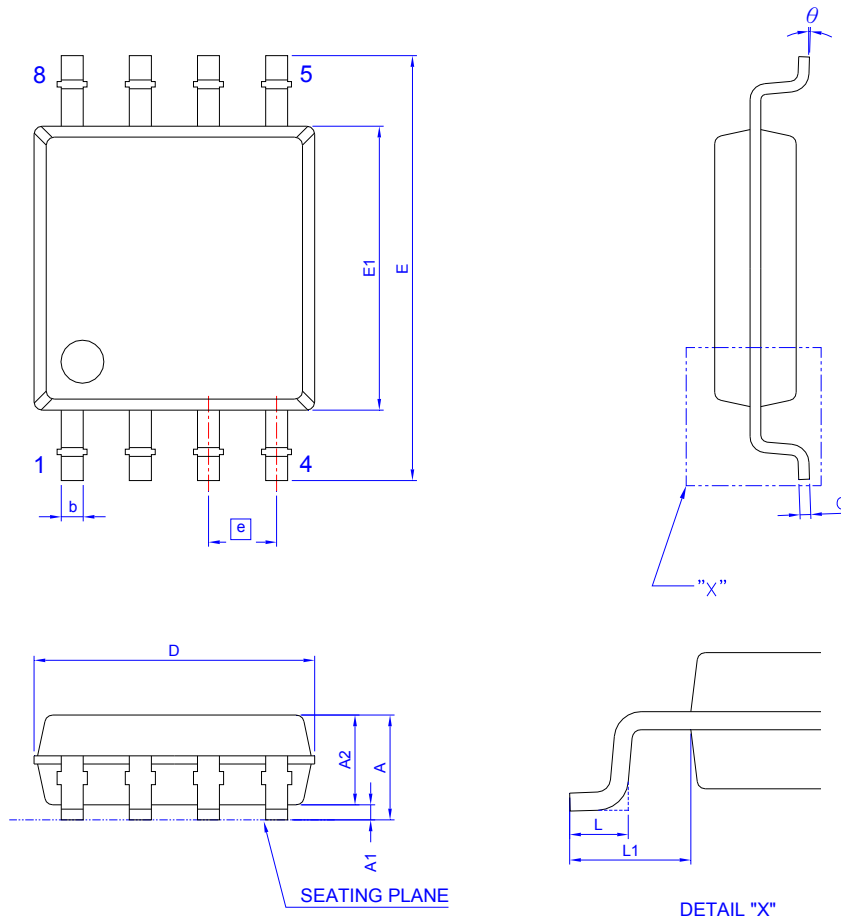
PACKING DIMENSIONS
8-LEAD SOIC (150 mil)



Symbol	Dimension in mm			Dimension in inch			Symbol	Dimension in mm			Dimension in inch		
	Min	Norm	Max	Min	Norm	Max		Min	Norm	Max	Min	Norm	Max
A	1.35	1.60	1.75	0.053	0.063	0.069	D	4.80	4.90	5.00	0.189	0.193	0.197
A ₁	0.10	0.15	0.25	0.004	0.006	0.010	E	3.80	3.90	4.00	0.150	0.154	0.157
A ₂	1.25	1.45	1.55	0.049	0.057	0.061	L	0.40	0.66	0.86	0.016	0.026	0.034
b	0.33	0.406	0.51	0.013	0.016	0.020	e	1.27 BSC			0.050 BSC		
c	0.19	0.203	0.25	0.0075	0.008	0.010	L ₁	1.00	1.05	1.10	0.039	0.041	0.043
H	5.80	6.00	6.20	0.228	0.236	0.244	θ	0°	---	8°	0°	---	8°

Controlling dimension : millimeter

PACKING DIMENSIONS 8-LEAD SOIC 200 mil (official name – 208mil)

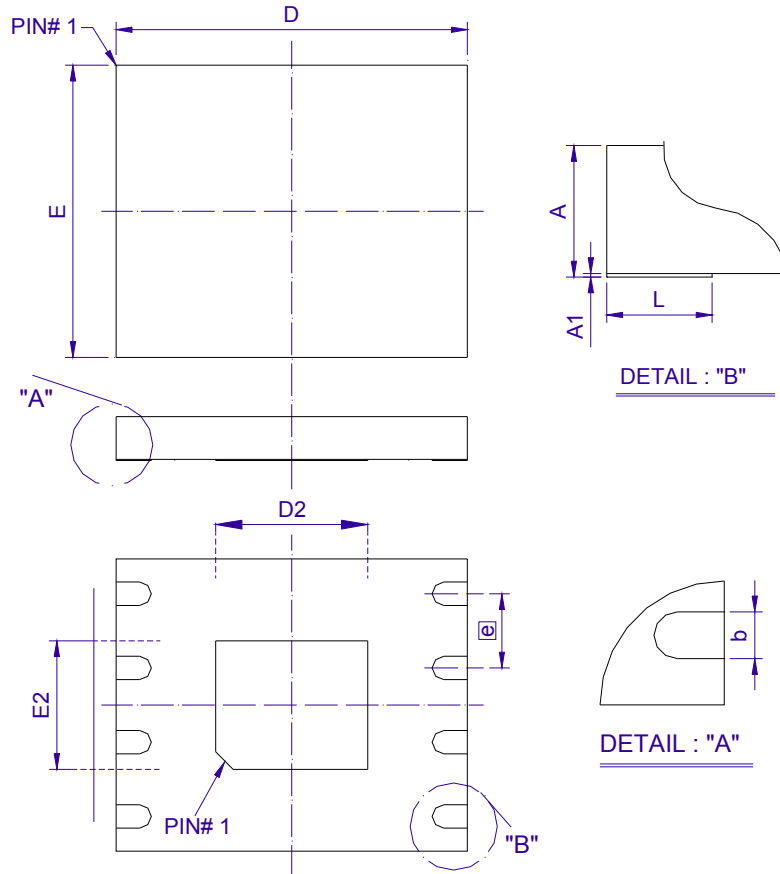


Symbol	Dimension in mm			Dimension in inch			Symbol	Dimension in mm			Dimension in inch		
	Min	Norm	Max	Min	Norm	Max		Min	Norm	Max	Min	Norm	Max
A	---	---	2.16	---	---	0.085	E	7.70	7.90	8.10	0.303	0.311	0.319
A ₁	0.05	0.15	0.25	0.002	0.006	0.010	E ₁	5.18	5.28	5.38	0.204	0.208	0.212
A ₂	1.70	1.80	1.91	0.067	0.071	0.075	L	0.50	0.65	0.80	0.020	0.026	0.032
b	0.36	0.41	0.51	0.014	0.016	0.020	e	1.27 BSC			0.050 BSC		
c	0.19	0.20	0.25	0.007	0.008	0.010	L ₁	1.27	1.37	1.47	0.050	0.054	0.058
D	5.13	5.23	5.33	0.202	0.206	0.210	θ	0°	---	8°	0°	---	8°

Controlling dimension : millimeter

PACKING DIMENSIONS

8-CONTACT WSON (6x5 mm)



Symbol	Dimension in mm			Dimension in inch		
	Min	Norm	Max	Min	Norm	Max
A	0.70	0.75	0.80	0.028	0.030	0.031
A1	0.00	0.02	0.05	0.000	0.001	0.002
b	0.35	0.40	0.45	0.014	0.016	0.018
D	5.90	6.00	6.10	0.232	0.236	0.240
D2	2.50	2.60	2.70	0.098	0.102	0.106
E	4.90	5.00	5.10	0.193	0.197	0.201
E2	2.10	2.20	2.30	0.083	0.087	0.091
e	1.27 BSC			0.050 BSC		
L	0.55	0.60	0.65	0.022	0.024	0.026

Controlling dimension : millimeter

Revision History

Revision	Date	Description
0.1	2010.10.01	Original
1.0	2011.01.24	1. Delete "Preliminary" 2. Remove the specification of T_{BP} 3. Modify the setting for all blocks in Block Protection Table 4. Modify the specification of I_{SB2} , $T_{SE}(max)$ and $T_{BE}(max)$
1.1	2011.03.03	1. Add device can support 100MHz in signal output (Max load capacitance is 15pF) 2. Modify WSON 6x5mm dimension : D2 2.5(min), 2.60(norm), 2.70(max) and E2 2.10(min), 2.20(norm), 2.30(max)
1.2	2011.05.13	Modify the specification of I_{SB1}
1.3	2012.04.18	Correct the figure of WSON packing dimensions
1.4	2012.08.06	Modify Ambient Operating Temperature

Important Notice

All rights reserved.

No part of this document may be reproduced or duplicated in any form or by any means without the prior permission of ESMT.

The contents contained in this document are believed to be accurate at the time of publication. ESMT assumes no responsibility for any error in this document, and reserves the right to change the products or specification in this document without notice.

The information contained herein is presented only as a guide or examples for the application of our products. No responsibility is assumed by ESMT for any infringement of patents, copyrights, or other intellectual property rights of third parties which may result from its use. No license, either express, implied or otherwise, is granted under any patents, copyrights or other intellectual property rights of ESMT or others.

Any semiconductor devices may have inherently a certain rate of failure. To minimize risks associated with customer's application, adequate design and operating safeguards against injury, damage, or loss from such failure, should be provided by the customer when making application designs.

ESMT's products are not authorized for use in critical applications such as, but not limited to, life support devices or system, where failure or abnormal operation may directly affect human lives or cause physical injury or property damage. If products described here are to be used for such kinds of application, purchaser must do its own quality assurance testing appropriate to such applications.