

CBTL01023

3.3 V, one differential channel, 2 : 1 multiplexer/demultiplexer switch for PCI Express Gen3

Rev. 1 — 24 October 2011

Product data sheet

1. General description

CBTL01023 is a single differential channel, 2-to-1 multiplexer/demultiplexer switch for PCI Express Generation 3 (Gen3), or other high-speed serial interface applications. The CBTL01023 can switch one differential signal to one of two locations. Using a unique design technique, NXP has minimized the impedance of the switch such that the attenuation observed through the switch is negligible, and also minimized the channel-to-channel crosstalk, as required by the high-speed serial interface. CBTL01023 allows expansion of existing high speed ports for extremely low power.

2. Features and benefits

- Single bidirectional differential channel, 2 : 1 multiplexer/demultiplexer
- High-speed signal switching for PCIe Gen3 8 Gbit/s
- High bandwidth: 9 GHz at -3 dB
- Low insertion loss:
 - ◆ -0.6 dB at 100 MHz
 - ◆ -1.5 dB at 4.0 GHz
- Low off-state isolation: -30 dB at 4 GHz
- Low intra-pair skew: 5 ps typical
- V_{DD} operating range: 3.3 V \pm 10 %
- Shutdown pin (XSD) for power-saving mode
 - ◆ Standby current less than 1 μ A
- ESD tolerance:
 - ◆ 2000 V HBM
 - ◆ 1000 V CDM
- XQFN10 package

3. Applications

- Routing of high-speed differential signals with low signal attenuation
 - ◆ PCIe Gen3
 - ◆ DisplayPort 1.2
 - ◆ USB 3.0
 - ◆ SATA 6 Gbit/s



4. Ordering information

Table 1. Ordering information

Type number	Package		Version
	Name	Description	
CBTL01023GM	XQFN10	plastic, extremely thin quad flat package; no leads; 10 terminals; body 1.55 × 2.00 × 0.50 mm	SOT1049-3

5. Functional diagram

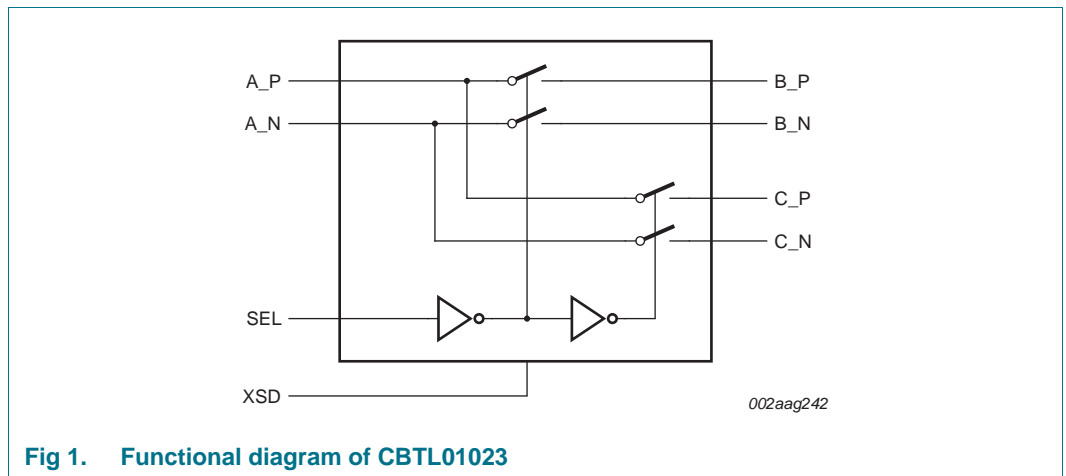


Fig 1. Functional diagram of CBTL01023

6. Pinning information

6.1 Pinning

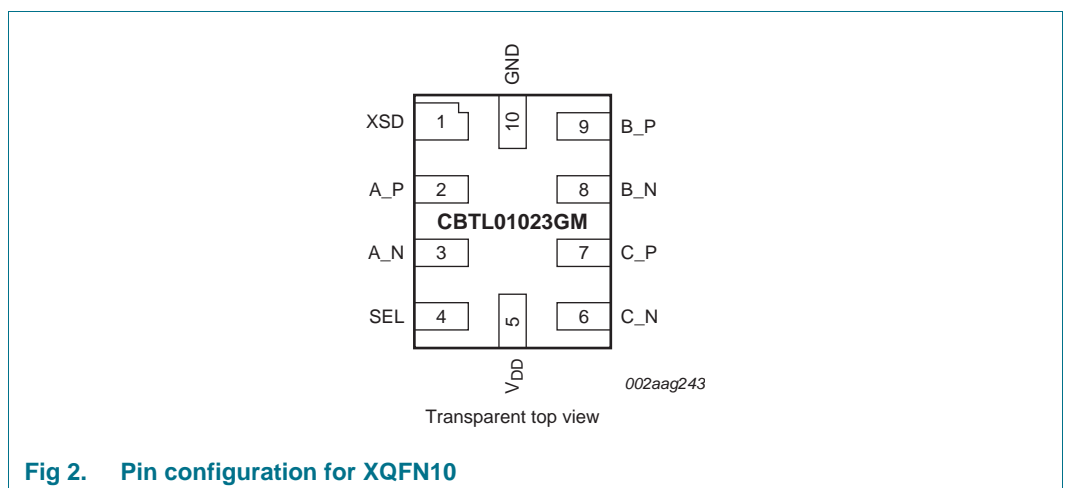


Fig 2. Pin configuration for XQFN10

6.2 Pin description

Table 2. Pin description

Symbol	Pin	Type	Description
A_P	2	I/O	channel 0, port A differential signal input/output
A_N	3	I/O	
B_P	9	I/O	channel 0, port B differential signal input/output
B_N	8	I/O	
C_P	7	I/O	channel 0, port C differential signal input/output
C_N	6	I/O	
SEL	4	CMOS single-ended input	operation mode select SEL = LOW: A ↔ B SEL = HIGH: A ↔ C
XSD	1	CMOS single-ended input	Shutdown pin; should be driven LOW or connected to GND for normal operation. When HIGH, all paths are switched off (non-conducting high-impedance state), and supply current consumption is minimized.
V _{DD}	5	power	positive supply voltage, 3.3 V (± 10 %)
GND	10	power	supply ground

7. Functional description

Refer to [Figure 1 “Functional diagram of CBTL01023”](#).

7.1 Function selection and shutdown function

The CBTL01023 provides a shutdown function to minimize power consumption when the application is not active, but power to the CBTL01023 is provided. The XSD pin (active HIGH) places all channels in high-impedance state (non-conducting) while reducing current consumption to near-zero. When XSD pin is LOW, the device operates normally.

Table 3. Function selection

X = Don't care.

XSD	SEL	Function
HIGH	X	A_n, B_n and C_n pins are high-Z
LOW	LOW	A_n to B_n and vice versa
LOW	HIGH	A_n to C_n and vice versa

8. Limiting values

Table 4. Limiting values

In accordance with the Absolute Maximum Rating System (IEC 60134).

Symbol	Parameter	Conditions	Min	Max	Unit
V_{DD}	supply voltage		-0.3	+4.6	V
T_{case}	case temperature		-40	+85	°C
V_{ESD}	electrostatic discharge voltage	HBM	[1] -	2000	V
		CDM	[2] -	1000	V

[1] Human Body Model: ANSI/EOS/ESD-S5.1-1994, standard for ESD sensitivity testing, Human Body Model - Component level; Electrostatic Discharge Association, Rome, NY, USA.

[2] Charged Device Model: ANSI/EOS/ESD-S5.3-1-1999, standard for ESD sensitivity testing, Charged Device Model - Component level; Electrostatic Discharge Association, Rome, NY, USA.

9. Recommended operating conditions

Table 5. Recommended operating conditions

Symbol	Parameter	Conditions	Min	Typ	Max	Unit
V_{DD}	supply voltage		3.0	3.3	3.6	V
V_I	input voltage		-	-	V_{DD}	V
T_{amb}	ambient temperature	operating in free air	-40	-	+85	°C

10. Static characteristics

Table 6. Static characteristics

$V_{DD} = 3.3\text{ V} \pm 10\%$; $T_{amb} = -40\text{ °C}$ to $+85\text{ °C}$; unless otherwise specified.

Symbol	Parameter	Conditions	Min	Typ ^[1]	Max	Unit
I_{DD}	supply current	operating mode; $V_{DD} = \text{max.}$; XSD = LOW	-	1.30	1.8	mA
		shutdown mode; $V_{DD} = \text{max.}$; XSD = HIGH	-	-	1	μA
I_{IH}	HIGH-level input current	$V_{DD} = \text{max.}$; $V_I = V_{DD}$	-	-	± 5 ^[2]	μA
I_{IL}	LOW-level input current	$V_{DD} = \text{max.}$; $V_I = \text{GND}$	-	-	± 5 ^[2]	μA
V_{IH}	HIGH-level input voltage	SEL, XSD pins	$0.65V_{DD}$	-	-	V
V_{IL}	LOW-level input voltage	SEL, XSD pins	-	-	$0.35V_{DD}$	V
V_I	input voltage	differential pins	-	-	2.4	V
		SEL, XSD pins	-	-	V_{DD}	V
V_{IC}	common-mode input voltage		0	-	2	V
V_{ID}	differential input voltage	peak-to-peak	-	-	1.6	V

[1] Typical values are at $V_{DD} = 3.3\text{ V}$, $T_{amb} = 25\text{ °C}$, and maximum loading.

[2] Input leakage current is $\pm 50\text{ μA}$ if differential pairs are pulled to HIGH and LOW.

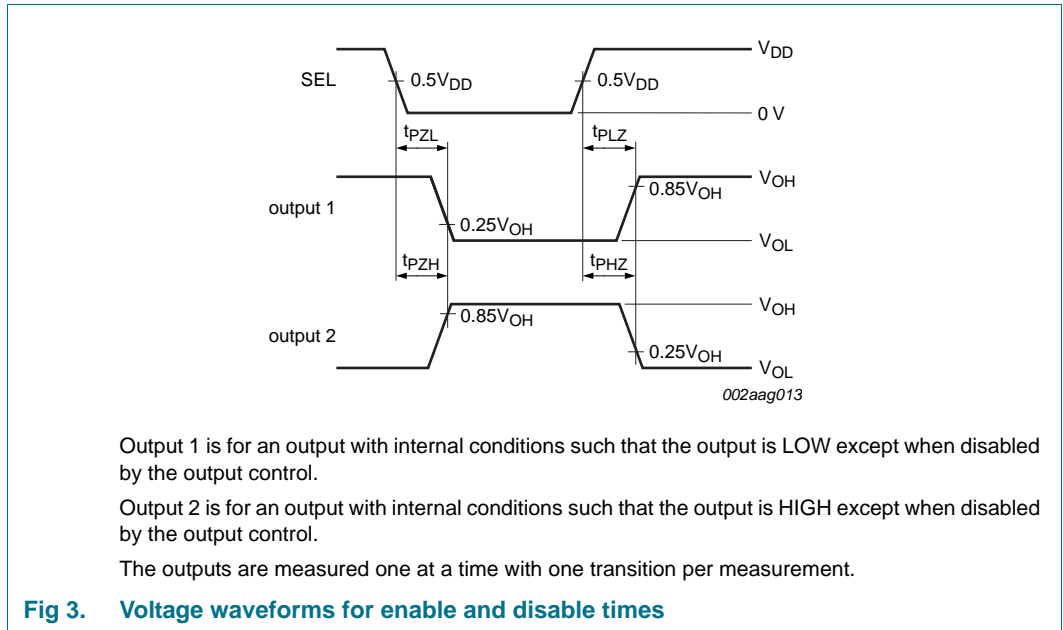
11. Dynamic characteristics

Table 7. Dynamic characteristics

$V_{DD} = 3.3\text{ V} \pm 10\%$; $T_{amb} = -40\text{ }^{\circ}\text{C}$ to $+85\text{ }^{\circ}\text{C}$; unless otherwise specified.

Symbol	Parameter	Conditions	Min	Typ ^[1]	Max	Unit
DDIL	differential insertion loss	channel is OFF				
		f = 4 GHz	-	-30	-	dB
		f = 100 MHz	-	-65	-	dB
		channel is ON				
		f = 4 GHz	-	-1.5	-	dB
		f = 100 MHz	-	-0.6	-	dB
B _{-3dB}	-3 dB bandwidth		-	9	-	GHz
DDR _L	differential return loss	f = 4 GHz	-	-7.5	-	dB
		f = 100 MHz	-	-24	-	dB
R _{on}	ON-state resistance	$V_{DD} = 3.3\text{ V}$; $V_I = 2\text{ V}$; $I_I = 19\text{ mA}$	-	6	-	Ω
C _{io(on)}	on-state input/output capacitance		-	1.5	-	pF
t _{PD}	propagation delay	from Port A to Port B, or Port A to Port C, or vice versa	-	60	-	ps
Switching characteristics						
t _{startup}	start-up time	supply voltage valid or XSD going LOW to channel specified operating conditions	-	-	10	ms
t _{PZH}	OFF-state to HIGH propagation delay		-	-	300	ns
t _{PZL}	OFF-state to LOW propagation delay		-	-	70	ns
t _{PHZ}	HIGH to OFF-state propagation delay		-	-	50	ns
t _{PLZ}	LOW to OFF-state propagation delay		-	-	50	ns
t _{sk(dif)}	differential skew time	intra-pair	-	5	-	ps

[1] Typical values are at $V_{DD} = 3.3\text{ V}$; $T_{amb} = 25\text{ }^{\circ}\text{C}$, and maximum loading.



12. Test information

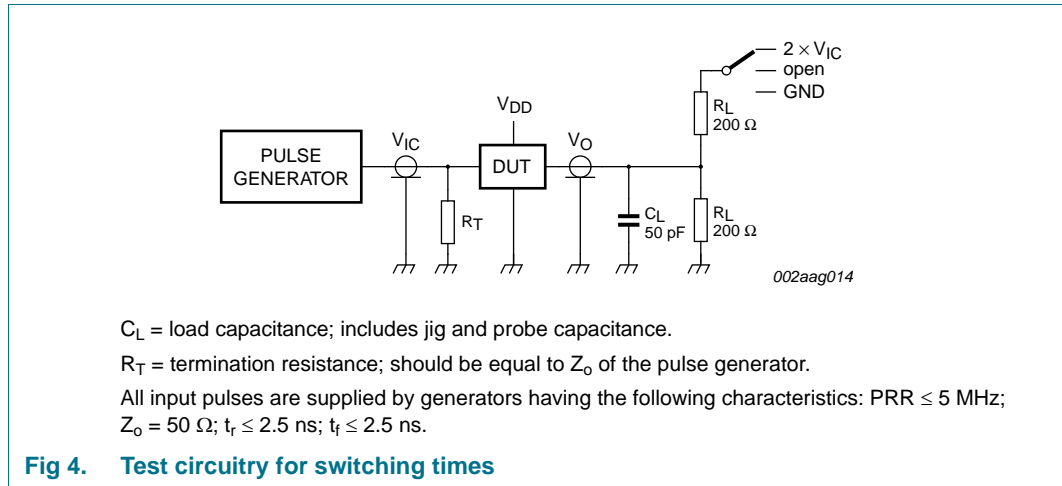


Fig 4. Test circuitry for switching times

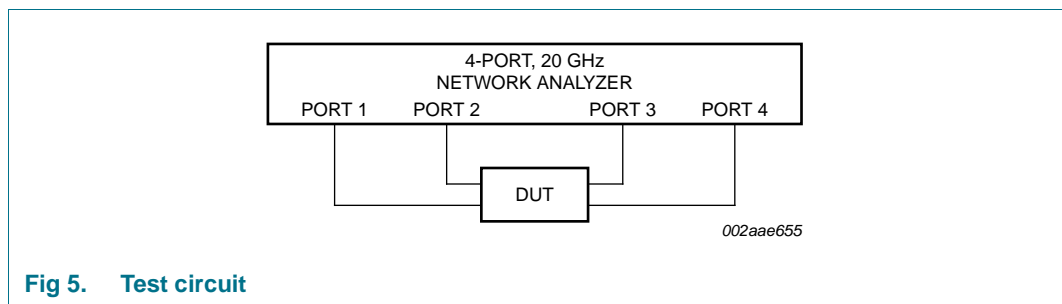


Fig 5. Test circuit

Table 8. Test data

Test	Load		Switch
	C_L	R_L	
t_{PLZ} , t_{PZL} (output on B side)	50 pF	200 Ω	$2 \times V_{IC}$
t_{PHZ} , t_{PZH} (output on B side)	50 pF	200 Ω	GND
t_{PD}	-	200 Ω	open

13. Package outline

XQFN10: plastic, extremely thin quad flat package; no leads; 10 terminals; body 1.55 x 2.00 x 0.50 mm

SOT1049-3

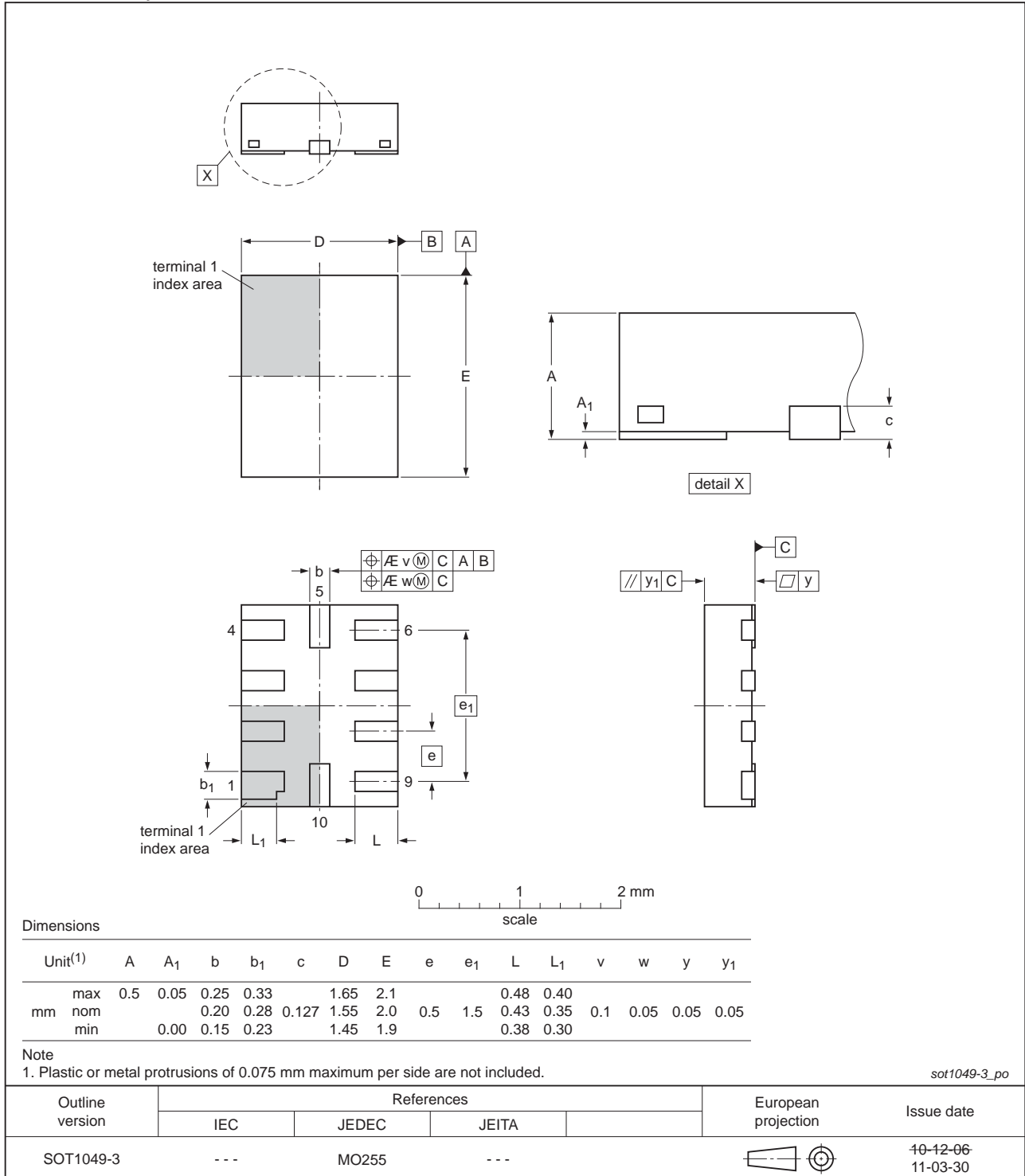


Fig 6. Package outline SOT1049-3 (XQFN10)

14. Soldering of SMD packages

This text provides a very brief insight into a complex technology. A more in-depth account of soldering ICs can be found in Application Note *AN10365 "Surface mount reflow soldering description"*.

14.1 Introduction to soldering

Soldering is one of the most common methods through which packages are attached to Printed Circuit Boards (PCBs), to form electrical circuits. The soldered joint provides both the mechanical and the electrical connection. There is no single soldering method that is ideal for all IC packages. Wave soldering is often preferred when through-hole and Surface Mount Devices (SMDs) are mixed on one printed wiring board; however, it is not suitable for fine pitch SMDs. Reflow soldering is ideal for the small pitches and high densities that come with increased miniaturization.

14.2 Wave and reflow soldering

Wave soldering is a joining technology in which the joints are made by solder coming from a standing wave of liquid solder. The wave soldering process is suitable for the following:

- Through-hole components
- Leaded or leadless SMDs, which are glued to the surface of the printed circuit board

Not all SMDs can be wave soldered. Packages with solder balls, and some leadless packages which have solder lands underneath the body, cannot be wave soldered. Also, leaded SMDs with leads having a pitch smaller than ~0.6 mm cannot be wave soldered, due to an increased probability of bridging.

The reflow soldering process involves applying solder paste to a board, followed by component placement and exposure to a temperature profile. Leaded packages, packages with solder balls, and leadless packages are all reflow solderable.

Key characteristics in both wave and reflow soldering are:

- Board specifications, including the board finish, solder masks and vias
- Package footprints, including solder thieves and orientation
- The moisture sensitivity level of the packages
- Package placement
- Inspection and repair
- Lead-free soldering versus SnPb soldering

14.3 Wave soldering

Key characteristics in wave soldering are:

- Process issues, such as application of adhesive and flux, clinching of leads, board transport, the solder wave parameters, and the time during which components are exposed to the wave
- Solder bath specifications, including temperature and impurities

14.4 Reflow soldering

Key characteristics in reflow soldering are:

- Lead-free versus SnPb soldering; note that a lead-free reflow process usually leads to higher minimum peak temperatures (see [Figure 7](#)) than a SnPb process, thus reducing the process window
- Solder paste printing issues including smearing, release, and adjusting the process window for a mix of large and small components on one board
- Reflow temperature profile; this profile includes preheat, reflow (in which the board is heated to the peak temperature) and cooling down. It is imperative that the peak temperature is high enough for the solder to make reliable solder joints (a solder paste characteristic). In addition, the peak temperature must be low enough that the packages and/or boards are not damaged. The peak temperature of the package depends on package thickness and volume and is classified in accordance with [Table 9](#) and [10](#)

Table 9. SnPb eutectic process (from J-STD-020C)

Package thickness (mm)	Package reflow temperature (°C)	
	Volume (mm ³)	
	< 350	≥ 350
< 2.5	235	220
≥ 2.5	220	220

Table 10. Lead-free process (from J-STD-020C)

Package thickness (mm)	Package reflow temperature (°C)		
	Volume (mm ³)		
	< 350	350 to 2000	> 2000
< 1.6	260	260	260
1.6 to 2.5	260	250	245
> 2.5	250	245	245

Moisture sensitivity precautions, as indicated on the packing, must be respected at all times.

Studies have shown that small packages reach higher temperatures during reflow soldering, see [Figure 7](#).

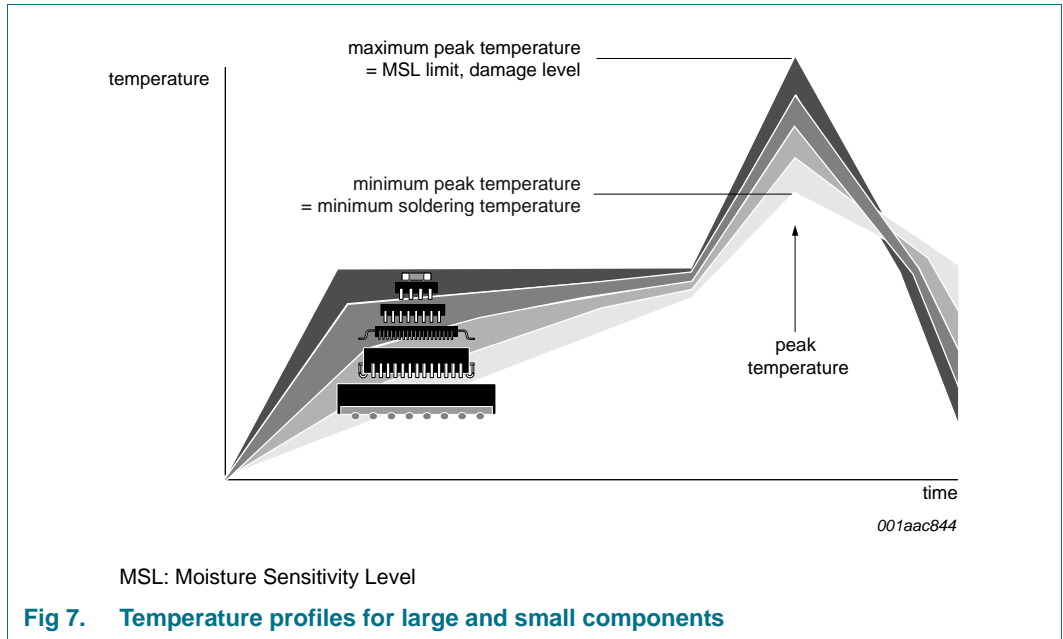


Fig 7. Temperature profiles for large and small components

For further information on temperature profiles, refer to Application Note AN10365 “Surface mount reflow soldering description”.

15. Abbreviations

Table 11. Abbreviations

Acronym	Description
CDM	Charged-Device Model
ESD	ElectroStatic Discharge
HBM	Human Body Model
I/O	Input/Output
PCI	Peripheral Component Interconnect
PCIe	PCI Express
PRR	Pulse Repetition Rate
SATA	Serial Advanced Technology Attachment
USB	Universal Serial Bus

16. Revision history

Table 12. Revision history

Document ID	Release date	Data sheet status	Change notice	Supersedes
CBTL01023 v.1	20111024	Product data sheet	-	-

17. Legal information

17.1 Data sheet status

Document status ^{[1][2]}	Product status ^[3]	Definition
Objective [short] data sheet	Development	This document contains data from the objective specification for product development.
Preliminary [short] data sheet	Qualification	This document contains data from the preliminary specification.
Product [short] data sheet	Production	This document contains the product specification.

[1] Please consult the most recently issued document before initiating or completing a design.

[2] The term 'short data sheet' is explained in section "Definitions".

[3] The product status of device(s) described in this document may have changed since this document was published and may differ in case of multiple devices. The latest product status information is available on the Internet at URL <http://www.nxp.com>.

17.2 Definitions

Draft — The document is a draft version only. The content is still under internal review and subject to formal approval, which may result in modifications or additions. NXP Semiconductors does not give any representations or warranties as to the accuracy or completeness of information included herein and shall have no liability for the consequences of use of such information.

Short data sheet — A short data sheet is an extract from a full data sheet with the same product type number(s) and title. A short data sheet is intended for quick reference only and should not be relied upon to contain detailed and full information. For detailed and full information see the relevant full data sheet, which is available on request via the local NXP Semiconductors sales office. In case of any inconsistency or conflict with the short data sheet, the full data sheet shall prevail.

Product specification — The information and data provided in a Product data sheet shall define the specification of the product as agreed between NXP Semiconductors and its customer, unless NXP Semiconductors and customer have explicitly agreed otherwise in writing. In no event however, shall an agreement be valid in which the NXP Semiconductors product is deemed to offer functions and qualities beyond those described in the Product data sheet.

17.3 Disclaimers

Limited warranty and liability — Information in this document is believed to be accurate and reliable. However, NXP Semiconductors does not give any representations or warranties, expressed or implied, as to the accuracy or completeness of such information and shall have no liability for the consequences of use of such information.

In no event shall NXP Semiconductors be liable for any indirect, incidental, punitive, special or consequential damages (including - without limitation - lost profits, lost savings, business interruption, costs related to the removal or replacement of any products or rework charges) whether or not such damages are based on tort (including negligence), warranty, breach of contract or any other legal theory.

Notwithstanding any damages that customer might incur for any reason whatsoever, NXP Semiconductors' aggregate and cumulative liability towards customer for the products described herein shall be limited in accordance with the *Terms and conditions of commercial sale* of NXP Semiconductors.

Right to make changes — NXP Semiconductors reserves the right to make changes to information published in this document, including without limitation specifications and product descriptions, at any time and without notice. This document supersedes and replaces all information supplied prior to the publication hereof.

Suitability for use — NXP Semiconductors products are not designed, authorized or warranted to be suitable for use in life support, life-critical or safety-critical systems or equipment, nor in applications where failure or

malfunction of an NXP Semiconductors product can reasonably be expected to result in personal injury, death or severe property or environmental damage. NXP Semiconductors accepts no liability for inclusion and/or use of NXP Semiconductors products in such equipment or applications and therefore such inclusion and/or use is at the customer's own risk.

Applications — Applications that are described herein for any of these products are for illustrative purposes only. NXP Semiconductors makes no representation or warranty that such applications will be suitable for the specified use without further testing or modification.

Customers are responsible for the design and operation of their applications and products using NXP Semiconductors products, and NXP Semiconductors accepts no liability for any assistance with applications or customer product design. It is customer's sole responsibility to determine whether the NXP Semiconductors product is suitable and fit for the customer's applications and products planned, as well as for the planned application and use of customer's third party customer(s). Customers should provide appropriate design and operating safeguards to minimize the risks associated with their applications and products.

NXP Semiconductors does not accept any liability related to any default, damage, costs or problem which is based on any weakness or default in the customer's applications or products, or the application or use by customer's third party customer(s). Customer is responsible for doing all necessary testing for the customer's applications and products using NXP Semiconductors products in order to avoid a default of the applications and the products or of the application or use by customer's third party customer(s). NXP does not accept any liability in this respect.

Limiting values — Stress above one or more limiting values (as defined in the Absolute Maximum Ratings System of IEC 60134) will cause permanent damage to the device. Limiting values are stress ratings only and (proper) operation of the device at these or any other conditions above those given in the Recommended operating conditions section (if present) or the Characteristics sections of this document is not warranted. Constant or repeated exposure to limiting values will permanently and irreversibly affect the quality and reliability of the device.

Terms and conditions of commercial sale — NXP Semiconductors products are sold subject to the general terms and conditions of commercial sale, as published at <http://www.nxp.com/profile/terms>, unless otherwise agreed in a valid written individual agreement. In case an individual agreement is concluded only the terms and conditions of the respective agreement shall apply. NXP Semiconductors hereby expressly objects to applying the customer's general terms and conditions with regard to the purchase of NXP Semiconductors products by customer.

No offer to sell or license — Nothing in this document may be interpreted or construed as an offer to sell products that is open for acceptance or the grant, conveyance or implication of any license under any copyrights, patents or other industrial or intellectual property rights.

Export control — This document as well as the item(s) described herein may be subject to export control regulations. Export might require a prior authorization from competent authorities.

Non-automotive qualified products — Unless this data sheet expressly states that this specific NXP Semiconductors product is automotive qualified, the product is not suitable for automotive use. It is neither qualified nor tested in accordance with automotive testing or application requirements. NXP Semiconductors accepts no liability for inclusion and/or use of non-automotive qualified products in automotive equipment or applications.

In the event that customer uses the product for design-in and use in automotive applications to automotive specifications and standards, customer (a) shall use the product without NXP Semiconductors' warranty of the product for such automotive applications, use and specifications, and (b) whenever customer uses the product for automotive applications beyond

NXP Semiconductors' specifications such use shall be solely at customer's own risk, and (c) customer fully indemnifies NXP Semiconductors for any liability, damages or failed product claims resulting from customer design and use of the product for automotive applications beyond NXP Semiconductors' standard warranty and NXP Semiconductors' product specifications.

17.4 Trademarks

Notice: All referenced brands, product names, service names and trademarks are the property of their respective owners.

18. Contact information

For more information, please visit: <http://www.nxp.com>

For sales office addresses, please send an email to: salesaddresses@nxp.com

19. Contents

1 **General description** 1

2 **Features and benefits** 1

3 **Applications** 1

4 **Ordering information** 2

5 **Functional diagram** 2

6 **Pinning information** 2

6.1 Pinning 2

6.2 Pin description 3

7 **Functional description** 3

7.1 Function selection and shutdown function 3

8 **Limiting values** 4

9 **Recommended operating conditions** 4

10 **Static characteristics** 4

11 **Dynamic characteristics** 5

12 **Test information** 7

13 **Package outline** 8

14 **Soldering of SMD packages** 9

14.1 Introduction to soldering 9

14.2 Wave and reflow soldering 9

14.3 Wave soldering 9

14.4 Reflow soldering 10

15 **Abbreviations** 11

16 **Revision history** 11

17 **Legal information** 12

17.1 Data sheet status 12

17.2 Definitions 12

17.3 Disclaimers 12

17.4 Trademarks 13

18 **Contact information** 13

19 **Contents** 14

Please be aware that important notices concerning this document and the product(s) described herein, have been included in section 'Legal information'.