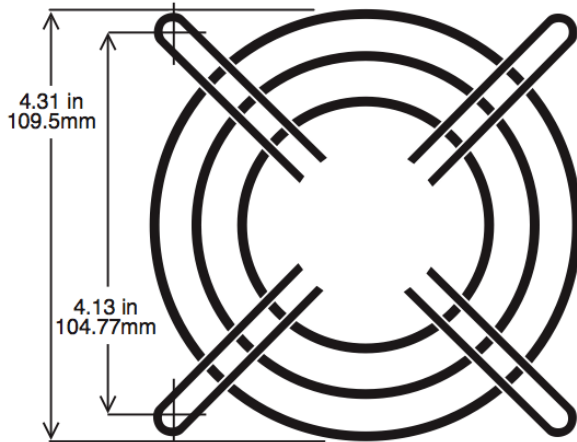


G109 Series



Fan Guards for 120mm Fan

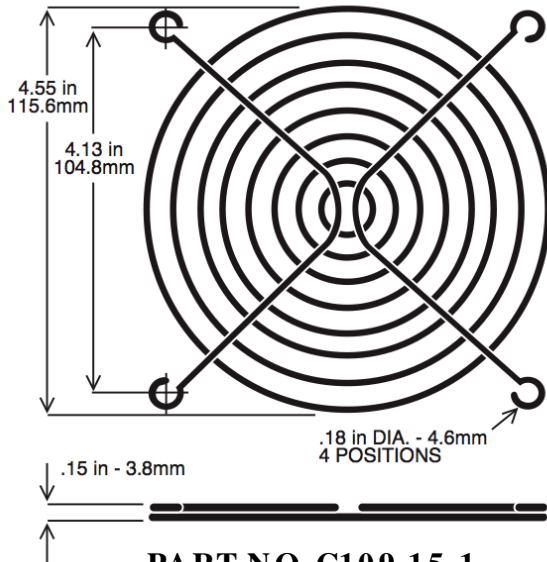


PART NO. G109-3A
 WIRE DIAMETER.
 RING DIA: 1.6 mm
 RIB DIA: 1.6 mm
 FINISH: BRIGHT NICKEL CHROME

PART NO. G109-3A/ PK
 10-PACK G109-3A GUARDS,
 BOXED

NOTES:

1. MATERIAL: C1008 BRIGHT BASIC WIRE
2. WELD JOINTS TO WITHSTAND 88 LBS PULL FORCE
3. GENERAL TOLERANCE UNLESS NOTED +/- 0.5 mm
4. PART MEETS 6.35 mm PLUG GAUGE TEST

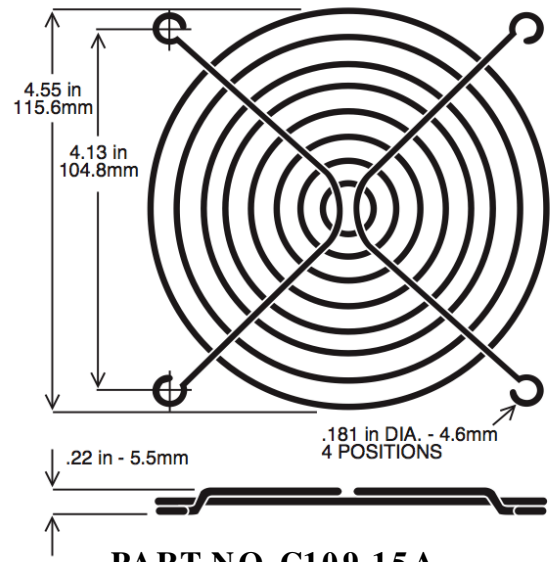


PART NO. G109-15-1
 WIRE DIAMETER.
 RING DIA: 1.8 mm
 RIB DIA: 1.8 mm
 FINISH: BRIGHT NICKEL CHROME

PART NO. G109-15-1/ PK
 10-PACK G109-15-1 GUARDS, BOXED

PART NO. G109-15B-1
 WIRE DIAMETER.
 RING DIA: 1.8 mm
 RIB DIA: 2.3 mm
 FINISH: BLACK

PART NO. G109-15B-1/ PK
 10-PACK G109-15B-1 GUARDS, BOXED



PART NO. G109-15A
 WIRE DIAMETER.
 RING DIA: 1.8 mm
 RIB DIA: 1.8 mm
 FINISH: BRIGHT NICKEL CHROME

PART NO. G109-15A/ PK
 10-PACK G109-15A GUARDS, BOXED

PART NO. G109-15AB
 WIRE DIAMETER.
 RING DIA: 1.8 mm
 RIB DIA: 1.8 mm
 FINISH: BLACK

PART NO. G109-15AB/ PK
 10-PACK G109-15AB GUARDS, BOXED