
Features

- System-on-chip technology to handle all ground link communication
- Can be operated independently from a processor
- Re-definable by the use of different mission PROM
- Supports multiple sources of CPDU segments
- Packet wire or Space Wire control interface for all chip accesses
- Can use either 8- or 16-bit PROM and RAM
- 3.3V supply voltage
- Operating frequency :16 MHz
- Maximum frequency : 22.2 MHz
- Technology MH1RT 0.35µm - 4 metal layers - Sea of gates.
 - Radiation Hardened CMOS process
 - No single event latch-up below a LET threshold of 70 MeV/mg/cm
 - SEU hardened flip-flops
 - Functional and parametric total dose capability up to 200 krad(Si).
- Package : 256-pin QFP package.
- Quality flows : Military and Space level B according to Atmel quality flow document reference 4288

1. Description

The AT7909E is an integrated device providing on-board telemetry and telecommand services via standardized interfaces.

The AT7909E is mainly an integrated telecommand decoder and telemetry encoder device. It can operate in stand-alone mode, without requiring any programming or support from an on-board computer. It can also operate in tight integration with a computer, featuring fast communication links for both commanding and data transfer. The different capabilities of the AT7909E can work together, or separately when only part of the functionality is required in a system, e.g. a telecommand decoder or telemetry encoder only.

The AT7909E was designed by Saab Space, Sweden (ESTEC / contract no. 16064/02/NL/FM), who will bring the technical answers to all questions relative to functionality through Atmel hot line assp-applab.hotline@nto.atmel.com.

This document shall be read in conjunction with Saab Space 'SCTMTC ASIC user's manual reference P-ASIC-NOT-00122-SE'.



Single Chip Telemetry and Telecommand

AT7909E



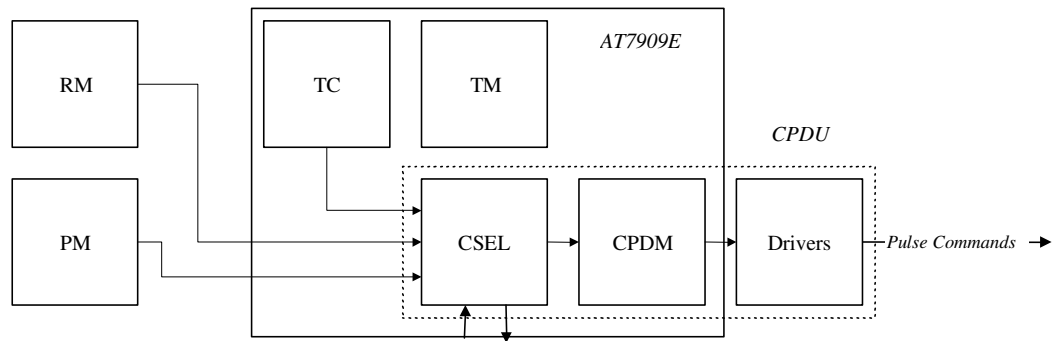
2. System Overview

AT7909E has been designed with a generic system architecture in mind. This architecture is assumed to consist of certain elements, although this is not a requirement for successful usage of the device.

The main elements in this architecture are:

- Processor Module (PM)
Comprising a processor or similar unit that is in control of the AT7909E. A PM communicates with the AT7909E by means of serial control interfaces. Dedicated serial interfaces are used for the reception of telecommands and transmission of telemetry from the PM. A PM is, however, not needed to control AT7909E, since AT7909E is autonomous.
- Reconfiguration Module (RM)
Comprising an autonomous unit, possibly a processor, which is allowed to send sequences of command instructions to the CPDU described hereafter.
- Telecommand Decoder (TC)
Comprising the Packet Telecommand Decoder (PDEC3) which is integrated in the AT7909E.
- Command Pulse Distribution Unit (CPDU)
Comprising the Command Pulse Distribution (CPDM) and Selector (CSEL) modules integrated in the AT7909E, as well as a set of external high and low power drivers implemented by the user.
- Telemetry Encoder (TM)
Comprising the Packet Telemetry Encoder (TME) which is integrated in the AT7909E.

Figure 2-1. AT7909E System block diagram



PM acronym is used to indicate any unit that can access the Internal Bus of the AT7909E. This might be done via the SpaceWire interface or the Control Interface Module.

An RM is not part of the AT7909E, but the acronym is used to indicate an external unit that can be connected to the CPDU via the External CPDU Interfaces. The CPDU handles such units in a special manner that will be explained when describing the CSEL module.

The acronym TC generally refers to the on-chip PDEC3 telecommand decoder. However, the CPDU has a specific TC request interface that is handled in a special manner that is explained in the description of the CSEL module. This interface can also be connected to the External CPDU Interface if required

3. Functions

The Single Chip Telemetry and Telecommand AT7909E has the following functions:

- **Test Access Port**
The AT7909E includes an IEEE® standard 1149.1 [JTAG] TAP block, which can be used for manufacturing test of printed circuit boards on which the AT7909E is mounted.
- **Clock and Reset block**
This block ensures that there is a clock of the correct frequency for each block and module in the AT7909E. The block also generates the reset signal to each block and module in the AT7909E. The block includes a reset register, which can be used to reset some of the modules in the AT7909E.
- **Configuration block**
The Configuration block will after power-up configure the AT7909E according to the mission PROM, i.e. setup SpaceWire source clock, TME frame length etc. The Configuration block can also make a continuous refresh of all or part of the configuration registers inside AT7909E.
- **Memory Interface**
The memory interface supports SRAM and PROM and provides EDAC protection of the memory. The EDAC corrects single bit errors and detects double bit errors. The memory interface also includes a scrubber.
- **Packet Telecommand Decoder [PDEC3]**
The telecommand decoder is fully compliant with ESA and CCSDS standards, specifications and recommendations. In addition, a Command Pulse Distribution Unit (CPDU) is composed of the CPDM, CSEL and ExtCpdulf described hereafter.
- **External Command Pulse Distribution Unit Interface [ExtCpdulf]**
The ExtCpdulf provides a way for an external unit to generate command pulses using the internal CPDM. The input interface is based on the Packet Wire protocol including ready and abort signals.
- **Command Pulse Distribution Selector [CSEL]**
The CSEL arbitrates access to the CPDM between three input request sources: the Reconfiguration Module (RM), the Telecommand Decoder (TC), and the Processor Module (PM). CSEL arbitrates between the input request sources, while CPDM executes the command sequence from the source that has been selected. The CSEL module includes a status interface, which ensures that the nominal and redundant CPDUs in a system are not interrupting each other.
- **Command Pulse Distribution Module [CPDM]**
The CPDM receives telecommand segments on which it performs clean and legal checks. Each command instruction contained in the telecommand segment will result in an output pulse being generated for a specified time duration.
- **Packet Telemetry Encoder [TME]**
The telemetry encoder and telemetry channel encoder are fully compliant with ESA and CCSDS standards and recommendations. The telemetry encoder physically implements eight Virtual Channels, which are named A to H.
- **SpaceWire [SPW]**
The SpaceWire interface can be configured for transfer of data to one or several telemetry encoder Virtual Channels. The routing is done using the header of the SpaceWire packet. The SpaceWire interface can also be used for configuring the AT7909E.

- Control Interface Module [CI]
The Control Interface Module provides a connection between external serial interfaces to the internal bus of the AT7909E to allow an external PM to control and configure the device. The CI is connected to the SpaceWire interface described above and to a serial Packet Wire interface dedicated for control.

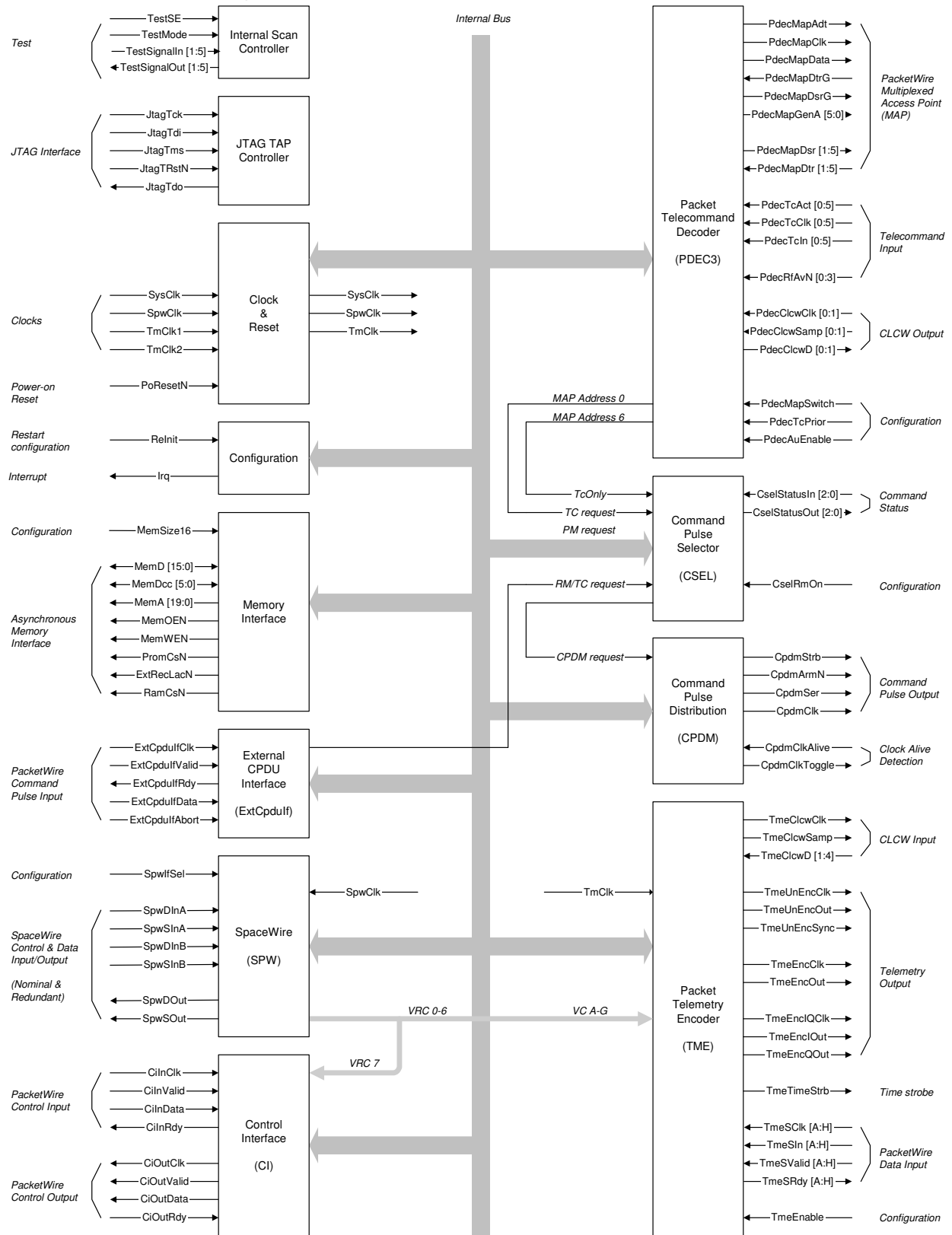
4. Interfaces

The AT7909E has the following interfaces:

- IEEE 1149.1 TAP interface
- Clock and Reset
Separate clock inputs for system, telemetry and SpaceWire bit rates.
- Memory Interface
 - Support for 8 or 16 bit wide data bus, with optional EDAC protection.
 - Support for SRAM and PROM.
- Packet Telecommand Decoder
 - Six separate serial telecommand input streams.
 - Four RF available status inputs.
 - Two external interfaces allowing readout of the CLCW. The internal Packet Telemetry Encoder is connected via one of these external interfaces if used.
 - Five dedicated, i.e. internally decoded, and one general serial MAP interface providing the accepted Telecommand Segments. Each dedicated MAP interface has separate Terminal and Sender Ready pins. All MAP interfaces share the clock, data and abort signals.
 - AU enable/disable selection.
 - Enable/disable for priority selection of telecommand input streams.
- External CPDU Interface
Packet Wire based interface for receiving telecommand segments bound for the internal CPDU function
- Command Pulse Distribution Unit
 - Command pulse output interface
 - Clock alive detection interface
 - Remote CPDU status interface, to communicate with a redundant CPDU
 - External setting of operating mode
- Packet Telemetry Encoder
 - Eight Packet Wire interfaces for telemetry input.
 - Four external interfaces for retrieval of the CLCW from Packet Telecommand Decoders. The interfaces have separate data input but share control signals.
 - Telemetry Transfer Frame output interfaces: unencoded, encoded and modulated. All interfaces are serial bit stream with an associated clock. Except for the unencoded output, there are five different formats: PSK Squarewave, NRZ-L, NRZ-M, SP-L and I/Q. The five share the same interface. In addition, the unencoded output also has the *TmeUnEncSync* signal that is asserted while each and every Attached Synchronisation Marker is output.

- A strobe to allow the on-board time to be sampled synchronously with the generated Transfer Frames, named *TimeTimeStrb*.
- SpaceWire interface (nominal and redundant)
For data transfers to the Telemetry Encoder (TME) and for communication with the Control Interface Module (CI) for control and configuration of the AT7909E.
- Packet Wire interface (receive and transmit)
For communication with the Control Interface Module (CI) for control and configuration of the AT7909E.

5. AT7909E Block diagram



6. Signal pins description

The AT7909E inputs and outputs are as defined in the tables below. For each signal, the type is indicated (CMOS, Schmitt). For each output signal, the drive strength is indicated (LD/MD/HD = Low/Mid/High Drive). PD stands for Pull-Down, and PDL stands for Pull-Down Low resistance. Clock in the rightmost column is the name of the reference clock if the signal is synchronous.

6.1 General AT7909E signals

Table 6-1. Internal Scan Control Interface Signals

Signal	Type	Description	Clock
<i>TestSE</i>	I, CMOS, PD	Reserved for manufacturing test. Shall be tied to GND.	strap
<i>TestMode</i>	I, CMOS, PD	Reserved for manufacturing test. Shall be tied to GND.	strap
<i>TestSignalIn[1:6]</i>	I, CMOS	Reserved for manufacturing test. Shall be tied to GND.	strap
<i>TestSignalOut[1:5]</i>	O, CMOS, LD	Reserved for manufacturing test.	open

Table 6-2. Test Access Port interface signals

Signal	Type	Description	Clock
<i>JtagTck</i>	I, CMOS, PD	JTAG TAP Test Clock	-
<i>JtagTdi</i>	I, CMOS, PD	JTAG TAP Test Data In	<i>JtagTck</i>
<i>JtagTms</i>	I, CMOS, PD	JTAG TAP Test Mode Select	<i>JtagTck</i>
<i>JtagTRstN</i>	I, CMOS, PD	JTAG TAP Test Reset	<i>JtagTck</i>
<i>JtagTdo</i>	O, CMOS, LD	JTAG TAP Test Data Out	<i>JtagTck</i>

Table 6-3. Clocks and Reset interface signals

Signal	Type	Description	Clock
<i>SysClk</i>	I, CMOS	The main source clock. Can be configured to be the source clock for the <i>SpwClk</i> and <i>TmClk</i> as well.	-
<i>SpwClk</i>	I, CMOS	May be connected inside the AT7909E to the internal <i>SpwClk</i>	-
<i>TmClk1</i>	I, CMOS	May be connected inside the AT7909E to the <i>TmClk</i>	-
<i>TmClk2</i>	I, CMOS	May be connected inside the AT7909E to the <i>TmClk</i>	-
<i>PoResetN</i>	I, Schmitt	Power On Reset. (Full reset)	-

Table 6-4. Configuration interface signals

Signal	Type	Description	Clock
<i>Irq</i>	O, CMOS, LD	Interrupt	<i>SysClk</i>
<i>Relnit</i>	I, Schmitt, PD	Re-initialise.	-

6.2 Memory Interface

Signal	Type	Description	Clock
<i>MemSize16</i>	I, CMOS	Configuration for <i>PromCsN</i> area width	strap
<i>MemD[15:0]</i>	IO, CMOS, PD	Memory Data (big-endian)	<i>SysClk</i>
<i>MemDcc[5:0]</i>	IO, CMOS, PD	Memory Check Bits	<i>SysClk</i>
<i>MemA[19:0]</i>	O, CMOS, HD	Memory Address (byte address)	<i>SysClk</i>
<i>MemOEN</i>	O, CMOS, HD	Memory Output Enable	<i>SysClk</i>
<i>MemWEN</i>	O, CMOS, HD	Memory Write Enable	<i>SysClk</i>
<i>PromCsN</i>	O, CMOS, HD	Configuration PROM chip select	<i>SysClk</i>
<i>ExtRecLacN</i>	O, CMOS, HD	External Recovery LAC select (when external LAC is used)	<i>SysClk</i>
<i>RamCsN</i>	O, CMOS, HD	SRAM chip select	<i>SysClk</i>

6.3 Packet Telecommand Decoder Module (PDEC3) signals

Signal	Type	Description	Clock
<i>PdecMapAdt</i>	O, CMOS, LD	MAP Packet Abort.	<i>SysClk</i>
<i>PdecMapClk</i>	O, CMOS, MD	MAP Serial Clock.	<i>SysClk</i>
<i>PdecMapData</i>	O, CMOS, LD	MAP Serial Data.	<i>SysClk</i>
<i>PdecMapDtrG</i>	I, CMOS, PD	MAP data terminal ready. The asynchronous <i>PdecMapDtrG</i> input indicates that the destination for the general MAP interface is ready to receive the TC Segment, which can be used for flow control. When the input is high, the TC Segment will be transferred.	-
<i>PdecMapDsrG</i>	O, CMOS, LD	MAP data set ready. The <i>PdecMapDsrG</i> output indicates that a TC Segment is available for transfer on the general MAP interface. When the output is high the TC Segment is ready.	<i>SysClk</i>
<i>PdecMapGenA[5:0]</i>	O, CMOS, LD	6 bits MapGen address. These bits are generated from the real MAP address using the MAP allocation table.	<i>SysClk</i>
<i>PdecMapDsr[1:5]</i>	O, CMOS, LD	MAP data set ready. Each <i>PdecMapDsr*</i> output indicates that a TC Segment is available for transfer on the corresponding MAP interface. When the output is high the TC Segment is ready. Only one <i>PdecMapDsr*</i> output is active at any one time.	<i>SysClk</i>
<i>PdecMapDtr[1:5]</i>	I, CMOS, PD	MAP data terminal ready. Each asynchronous <i>PdecMapDtr*</i> input indicates that the corresponding destination is ready to receive the TC Segment, which can be used for flow control. When the input is high, the TC Segment will be transferred.	-
<i>PdecTcAct[5:0]</i>	I, Schmitt, PD	TC channel active inputs, which serves as enable signals for the corresponding <i>PdecTcIn*</i> and <i>PdecTcClk*</i> inputs. A TC channel is active when its <i>PdecTcAct*</i> input is high. These inputs can be asynchronous.	-
<i>PdecTcClk[5:0]</i>	I, Schmitt, PD	TC symbol clock inputs, recognised when the corresponding <i>PdecTcAct*</i> input is asserted. These inputs can be asynchronous w.r.t. the clock.	-
<i>PdecTcIn[5:0]</i>	I, Schmitt, PD	TC symbol data stream inputs. The data shall be valid on the falling edge of the corresponding <i>PdecTcClk*</i> input.	-
<i>PdecRfAvN[0:3]</i>	I, Schmitt, PD	RF available indication for the CLCW. When the input is low, the "No RF Available" flag in the CLCW will be set to logic zero.	-

Signal	Type	Description	Clock
<i>PdecClwClk[0:1]</i>	I, Schmitt, PD	CLCW clock. This asynchronous input clocks out the CLCW status using a protocol based on synchronous bit serial acquisition.	-
<i>PdecClwSamp[0:1]</i>	I, Schmitt, PD	CLCW sample. This input sample the CLCW status before it is clocked out using a protocol based on synchronous bit serial acquisition. The CLCW is transferred when <i>PdecClwSamp*</i> is high. Each input must be synchronous to the corresponding <i>PdecClwClk*</i> input.	-
<i>PdecClwD[0:1]</i>	O, CMOS, LD	CLCW data. This output provide the CLCW data serially after the rising edge of the corresponding <i>PdecClwSamp*</i> input or after the rising edge of the corresponding <i>PdecClwClk*</i> input.	<i>SysClk</i>
<i>PdecMapSwitch</i>	I, CMOS, PD	Swaps the signals between MAP interface 1 and MAP interface 2.	-
<i>PdecTcPrior</i>	I, CMOS, PD	TC channel priority mode configuration. When this static input is high, the active TC channels are selected with priority.	strap
<i>PdecAuEnable</i>	I, Schmitt, PD	AU enable input.	-

6.4 External CPDU Interfaces (ExtCpdulf) signals

Signal	Type	Description	Clock
<i>ExtCpdulfClk</i>	I, Schmitt, PD	Packet Wire serial bit clock	-
<i>ExtCpdulfValid</i>	I, Schmitt, PD	Packet valid	<i>ExtCpdulfClk</i>
<i>ExtCpdulfRdy</i>	O, CMOS, LD	Receiver ready, i.e. the interface is ready to receive a TC Segment.	<i>SysClk</i>
<i>ExtCpdulfData</i>	I, Schmitt, PD	Serial data	<i>ExtCpdulfClk</i>
<i>ExtCpdulfAbort</i>	I, Schmitt, PD	Abort packet	<i>ExtCpdulfClk</i>

6.5 CPDM Selector Module (CSEL) signals

Signal	Type	Description	Clock
<i>CselStatusIn[2:0]</i>	I, Schmitt, PD	Remote CSEL status	-
<i>CselStatusOut[2:0]</i>	O, CMOS, LD	CSEL status exchange	<i>SysClk</i>
<i>CselRmOn</i>	I, Schmitt, PD	Enables RM input access to the CPDM via the CSEL. When deasserted, it disables the RM input, i.e. if the ExtCpdulf is internally connected to the RM input it will not be able to transmit any pulse commands.	-

6.6 Command Pulse Distribution Module (CPDM) signals

Signal	Type	Description	Clock
<i>CpdmStrb</i>	O, CMOS, LD	This active high output provides the CPDU output pulse timing.	<i>SysClk</i>
<i>CpdmArmN</i>	O, CMOS, LD	This active low output provides an arming signal which can be used to power-on the CPDU output drivers	<i>SysClk</i>
<i>CpdmSer</i>	O, CMOS, MD	The pulse number is distributed serially.	<i>SysClk</i>
<i>CpdmClk</i>	O, CMOS, MD	Bit clock for the <i>CpdmSer</i> output	<i>SysClk</i>
<i>CpdmClkAlive</i>	I, Schmitt	Input indicating that the <i>CpdmClkToggle</i> is still toggling	-
<i>CpdmClkToggle</i>	O, CMOS, MD	The CPDM internal clock available as an external pin.	<i>SysClk</i>

6.7 Packet Telemetry Encoder Module (TME) signals

Signal	Type	Description	Clock
<i>TmeClwClk</i>	O, CMOS, LD	CLCW clock. This output clocks out the CLCW status using a synchronous bit serial protocol.	<i>TmClk</i>
<i>TmeClwSamp</i>	O, CMOS, LD	CLCW sample. This input defines the transfer of the CLCW using a synchronous bit serial protocol; the CLCW is transferred when <i>TmeClwSamp</i> is set high.	<i>TmClk</i>
<i>TmeClwD[0:3]</i>	I, CMOS, PD	Serial CLCW data. These inputs shall provide the data serially after the rising edge of the <i>TmeClwSamp</i> input and after the rising edges of the <i>TmeClwClk</i> input.	-
<i>TmeUnEncClk</i>	O, CMOS, HD	Clock output for the unencoded serial transfer frame, used to clock out <i>UnEncOut</i> and <i>UnEncSync</i> .	<i>TmClk</i>
<i>TmeUnEncOut</i>	O, CMOS, HD	Unencoded serial TM transfer frame output. This output is driven on the rising edge of <i>UnEncClk</i> .	<i>TmClk</i>
<i>TmeUnEncSync</i>	O, CMOS, MD	Synchronisation marker output indicator. This output is driven on the rising edge of <i>UnEncClk</i> , and it is set high while the synchronisation marker is output on <i>UnEncOut</i> .	<i>TmClk</i>
<i>TmeEncClk</i>	O, CMOS, HD	Clock output for the encoded serial transfer frames, used to clock out <i>TmeEncOut</i> .	<i>TmClk</i>
<i>TmeEncOut</i>	O, CMOS, HD	Encoded serial TM transfer frame output. This output is driven on the rising edge of <i>TmeEncClk</i> .	<i>TmClk</i>
<i>TmeEnclQClk</i>	O, CMOS, MD	Clock output for I/Q modulated output, used to clock out data on <i>TmeEnclOut</i> and <i>TmeEncQOut</i> .	<i>TmClk</i>
<i>TmeEnclOut</i>	O, CMOS, MD	I/Q modulated data output. This output is driven on the rising edge of <i>TmeEnclQClk</i> .	<i>TmClk</i>

Signal	Type	Description	Clock
<i>TmeEncQOut</i>	O, CMOS, MD	I/Q modulated data output. This output is driven on the rising edge of <i>TmeEncIQClk</i> .	<i>TmClk</i>
<i>TmeTimeStrb</i>	O, CMOS, LD	Time Sampling strobe output. Asserted to indicate that the on-board time should be sampled.	<i>TmClk</i>
<i>TmeEnable</i>	I, Schmitt, PD	Enable signal for the whole TME. When asserted the TME is enabled. When deasserted then all outputs from the TME are deasserted (inactive).	-
<i>TmeSClk[A:H]</i>	I, CMOS, PD	Packet Wire Serial Interface Clock. This input clocks serial data into a Virtual Channel serial interface.	-
<i>TmeSIn[A:H]</i>	I, CMOS, PD	Packet Wire Serial Data input. This input is sampled on the rising edge of <i>TmeSClk*</i> when <i>TmeSValid</i> is asserted.	-
<i>TmeSRdy[A:H]</i>	O, CMOS, LD	Packet Wire Virtual channel Ready. This signal is asserted to indicate that two octets can be received.	<i>SysClk</i>
<i>TmeSValid[A:H]</i>	I, CMOS, PD	Packet Wire Serial Interface Data Valid. This signal informs the corresponding VC interface when a telemetry packet begins/ends, and it also defines the byte boundaries in the input data stream. Input shall be asserted while data is being input.	-

6.8 SpaceWire Module (SPW) signals

Signal	Type	Description	Clock
<i>SpwDInA</i>	I, CMOS	SpaceWire Serial Data Input from link A	-
<i>SpwSInA</i>	I, CMOS	SpaceWire Serial Strobe Input from link A	-
<i>SpwDInB</i>	I, CMOS	SpaceWire Serial Data Input from link B	-
<i>SpwSInB</i>	I, CMOS	SpaceWire Serial Strobe Input from link B	-
<i>SpwDOut</i>	O, CMOS, MD	SpaceWire Serial Data Output	<i>SpwClk</i>
<i>SpwSOut</i>	O, CMOS, MD	SpaceWire Serial Strobe Output	<i>SpwClk</i>
<i>SpwIfSel</i>	I, Schmitt, PD	Used for switching between the two SpaceWire interfaces, Low =A and High = B.	-

6.9 Control Interface Module (CI) signals

Signal	Type	Description	Clock
<i>CIInClk</i>	I, CMOS, PD	Input Packet Wire Serial Clock	-
<i>CIInData</i>	I, CMOS, PD	Input Packet Wire Serial Data	<i>CIInClk</i>
<i>CIInRdy</i>	O, CMOS, MD	Input Packet Wire Receiver Ready	<i>SysClk</i>
<i>CIInValid</i>	I, CMOS, PD	Input Packet Wire Packet Valid	<i>CIInClk</i>
<i>CIOutClk</i>	O, CMOS, MD	Output Packet Wire Serial Clock	<i>SysClk</i>

<i>CiOutData</i>	O, CMOS, MD	Output Packet Wire Serial Data	<i>SysClk</i>
<i>CiOutRdy</i>	I, CMOS, PD	Output Packet Wire Receiver Ready	-
<i>CiOutValid</i>	O, CMOS, MD	Output Packet Wire Packet Valid	<i>SysClk</i>

7. Electrical characteristics

7.1 Absolute maximum ratings

Type	Value
Ambient temperature – military range	-55 to 125°C
Supply voltage, V_{DD}	-0.5 to 4.0 V
Input voltage range	-0.5 to 6.0 V
Input Current per power pin	±60 mA
Input Current per signal pin	±10 mA
Soldering Lead Temp. 1.6 mm from case for max 10 s	300 °C
Storage Temperature	-65 to 150°C
Junction temperature	175°C

7.2 Operating conditions

Parameter	Min	Typ	Max	Unit
Supply voltage	3.0	3.3	3.6	V
Operating temperature range	-55		125	°C

7.3 DC characteristics

Specified according to operating conditions table.

Parameter	Min	Typ	Max	Unit	Condition	
V_{IH}	High level input voltage	2.0			V	CMOS and Schmitt
V_{IL}	Low level input voltage			0.8	V	CMOS and Schmitt
V_{HYS}	Hysteresis		0.61		V	Schmitt
V_{OH}	High level output voltage	2.4			V	
V_{OL}	Low level output voltage			0.4	V	
I_{IL}	Low level input current	-1		1	μA	$V_{in}=GND, V_{DD}=V_{DD}(max)$
I_{IH}	High level input current	-1		1	μA	$V_{in}=V_{DD}=V_{DD}(max)$
I_{IHP}	High level input current, pull-down input	5	30	70	μA	$V_{in}=V_{DD}=V_{DD}(max)$
I_{OZ}	Output leakage current	-1		1	μA	Outputs disabled, $GND < V_{out} < V_{DD}$
I_{OZHP}	Output leakage current, pull-down output	5		70	μA	Outputs disabled, $V_{out} = V_{DD}$
C_{IN}	Input pin capacitance			3	pF	
C_{IO}	I/O pin capacitance			7	pF	

7.4 Power consumption

Specified according to operating conditions table.

Parameter		Min	Max	Unit	Condition
I _{DDSB} A	Standby supply current for array		4.5	mA	Static mode
I _{DDOP}	Operating current for array		80	mA	VDD=3.6V

7.5 AC characteristics

Specified according to operating conditions table.

Following table gives the limit of the tested timings. The timing limits guaranteed by timing analysis based on MH1RT library, performed on SCTMTC Asic are given in 'SCTMTC User's Manual reference P-ASIC-NOT-00122-SE'.

Parameter		Condition	Min	Max	Unit
Ts1	Setup time SpwlfSel to SysClk	VDD = 3.6 V note1		0	ns
Ts2	Setup time MemD[15:0] to SysClk MemDcc[5:0] to SysClk	VDD = 3.6 V note1		0	ns
Tp1	Propagation Delay SysClk to MemA[23:0]	VDD = 3.0 V note1		30	ns
Tp2	Propagation Delay SysClk to MemD[15:0] SysClk to MemDcc[5:0]	VDD = 3.0 V note1		42	ns
Tp3	Propagation Delay SysClk to SpwDOut	VDD = 3.0 V note1		41	ns
Tp4	Propagation Delay SysClk to SpwDOut	VDD = 3.0 V note1		34	ns
Tp5	Propagation Delay SysClk to SpwSOut	VDD = 3.0 V note1		41	ns
Tp6	Propagation Delay SysClk to SpwSOut	VDD = 3.0 V note1		34	ns
Tp7	Propagation Delay SysClk to SeqLrq	VDD = 3.0 V note1		53	ns

Note 1: Test conditions:

Tester load 80 pF

VIL = 0V, VIH = VDD

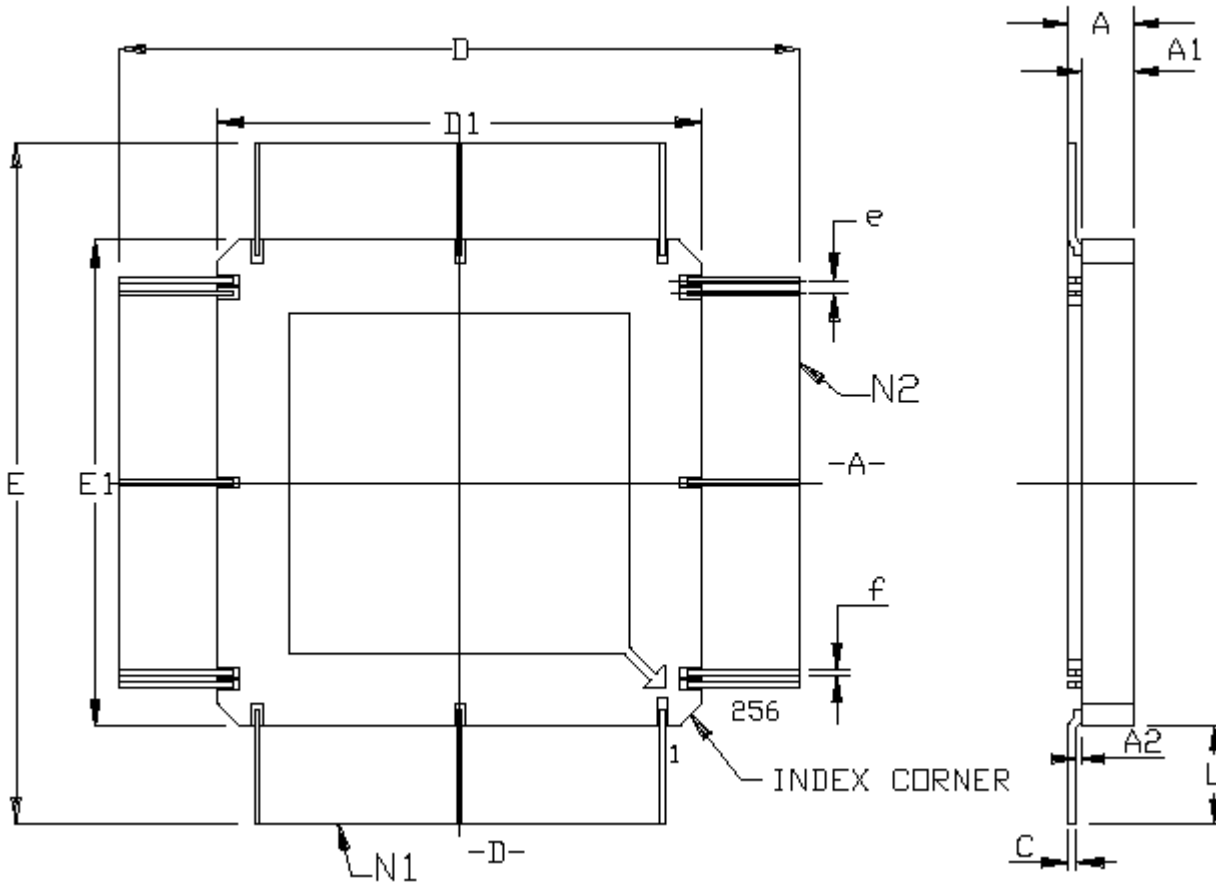
Input signals dynamic characteristics: tr,tf < 10ns

Threshold voltages: VOL = VOH = VDD/2.

8. Functional description

8.1 Package

The package is a 256-pin MQFP with 0.02 mil pin spacing and lid connected to ground.



	mm		inch	
	A	2.41	3.18	0.095
A1	2.06	2.56	0.081	0.101
A2	0.05	0.36	0.002	0.014
C	0.10	0.20	0.004	0.008
D/E	53.23	55.74	2.095	2.195
D1/E1	36.83	37.34	1.450	1.470
e	0.508 BSC		0.020 BSC	
f	0.15	0.25	0.006	0.010
L	8.20	9.20	0.323	0.362
N1	64			
N2	64			

9. Pins assignment

Pin	Signal name	Pin	Signal name	Pin	Signal name	Pin	Signal name
1	Vss[8]	53	MemA[3]	105	SysClk	157	TmeSValid[D]
2	MemD[12]	54	MemA[2]	106	PoResetN	158	TmeSIn[D]
3	MemD[11]	55	Vss[1]	107	PdecTcIn[5]	159	TmeSClk[D]
4	MemD[10]	56	MemA[1]	108	PdecTcClk[5]	160	Vss[14]
5	Vdd[8]	57	Vss[19]	109	PdecTcAct[5]	161	TmeSRdy[C]
6	MemD[9]	58	Vdd[19]	110	PdecTcIn[4]	162	TmeSValid[C]
7	Vss[18]	59	MemA[0]	111	PdecTcClk[4]	163	TmeSIn[C]
8	Vdd[18]	60	Vdd[1]	112	PdecTcAct[4]	164	TmeSClk[C]
9	MemD[8]	61	MemSize16	113	PdecTcIn[3]	165	ExtCpdulfAbort
10	MemD[7]	62	TestSignalIn[1]	114	PdecTcClk[3]	166	TmeSValid[B]
11	MemD[6]	63	TestMode	115	PdecTcAct[3]	167	ExtCpdulfValid
12	MemD[5]	64	TestSE	116	PdecTcIn[2]	168	ExtCpdulfRdy
13	MemD[4]	65	JtagTdo	117	PdecTcClk[2]	169	ExtCpdulfData
14	MemD[3]	66	JtagTdi	118	Vss[15]	170	TmeSIn[B]
15	Vss[7]	67	JtagTms	119	PdecTcAct[2]	171	ExtCpdulfClk
16	TestSignalIn[6]	68	JtagTRstN	120	PdecTcIn[1]	172	TmeSClk[B]
17	MemD[2]	69	JtagTck	121	Vss[21]	173	TmeSRdy[B]
18	MemD[1]	70	PdecMapGenA[5]	122	Vdd[21]	174	TmeSRdy[A]
19	Vdd[7]	71	Vss[20]	123	PdecTcClk[1]	175	TmeSValid[A]
20	MemD[0]	72	Vdd[20]	124	Vdd[15]	176	TmeSIn[A]
21	MemCs3N	73	PdecMapGenA[4]	125	PdecTcAct[1]	177	TmeSClk[A]
22	Vss[6]	74	PdecMapGenA[3]	126	PdecTcIn[0]	178	TmeEnable
23	PdecTcPrior	75	PdecMapGenA[2]	127	PdecTcClk[0]	179	Vdd[14]
24	MemCs2N	76	PdecMapGenA[1]	128	PdecTcAct[0]	180	TmeTimeStrb
25	MemCs0N	77	PdecMapGenA[0]	129	PdecClwD[1]	181	TmeUnEncSync
26	Vdd[6]	78	Vss[17]	130	PdecClwSamp[1]	182	TmeUnEncClk
27	MemOEN	79	PdecMapDtr[5]	131	PdecClwClk[1]	183	Vss[13]
28	MemWEN	80	PdecMapDsr[5]	132	PdecMapSwitch	184	TmeUnEncOut
29	Vss[5]	81	PdecMapDtr[4]	133	TmeSValid[H]	185	Vss[23]
30	MemA[19]	82	PdecMapDsr[4]	134	PdecAuEnable	186	Vdd[23]
31	MemA[18]	83	Vdd[17]	135	Vss[22]	187	Vdd[13]
32	Vdd[5]	84	PdecMapDtr[3]	136	Vdd[22]	188	TmeEncOut
33	MemA[17]	85	PdecMapDsr[3]	137	TmeSIn[H]	189	TmeEncClk
34	MemA[16]	86	PdecMapDtr[2]	138	TmeSClk[H]	190	TmeEnclOut
35	Vss[4]	87	PdecMapDsr[2]	139	TmeSRdy[H]	191	TmeEncQOut
36	MemA[15]	88	PdecMapDtr[1]	140	TmeSValid[G]	192	TmeEnclQClk
37	MemA[14]	89	PdecMapDsr[1]	141	TestSignalIn[4]	193	Vss[12]
38	Vdd[4]	90	PdecMapDtrG	142	TmeSIn[G]	194	TmeClwSamp
39	MemA[13]	91	PdecMapDsrG	143	TmeSClk[G]	195	TmeClwClk



Pin	Signal name	Pin	Signal name	Pin	Signal name	Pin	Signal name
40	MemA[12]	92	PdecMapData	144	TmeSRdy[G]	196	TmeClwD[3]
41	MemA[11]	93	PdecMapClk	145	TmeSValid[F]	197	TmeClwD[2]
42	Vss[3]	94	PdecRfAvN[3]	146	TmeSIn[F]	198	TmeClwD[1]
43	MemA[10]	95	PdecRfAvN[2]	147	TmeSRdy[F]	199	Vss[24]
44	Vdd[3]	96	Vss[16]	148	TmeSClk[F]	200	Vdd[24]
45	MemA[9]	97	PdecMapAdt	149	TmeSValid[E]	201	TmeClwD[0]
46	MemA[8]	98	PdecRfAvN[1]	150	PdecClwD[0]	202	Relnit
47	MemA[7]	99	Vdd[16]	151	PdecClwSamp[0]	203	CiInClk
48	Vss[2]	100	PdecRfAvN[0]	152	TmeSIn[E]	204	CiInData
49	MemA[6]	101	TestSignalIn[2]	153	PdecClwClk[0]	205	Vdd[12]
50	MemA[5]	102	TestSignalIn[3]	154	TmeSClk[E]	206	CiInRdy
51	Vdd[2]	103	TmClk1	155	TmeSRdy[E]	207	CiInValid
52	MemA[4]	104	TmClk2	156	TmeSRdy[D]	208	CiOutRdy
209	CiOutClk	222	SpwDOut	235	Irq	248	MemDcc[3]
210	CiOutData	223	CpdmClkAlive	236	CselStatusOut[2]	249	Vss[25]
211	Vss[11]	224	CpdmClkToggle	237	CselStatusOut[1]	250	Vdd[25]
212	CiOutValid	225	CpdmClk	238	CselStatusOut[0]	251	MemDcc[2]
213	TestSignalOut[1]	226	Vss[10]	239	TestSignalOut[2]	252	MemDcc[1]
214	SpwSInB	227	CpdmSer	240	TestSignalOut[3]	253	MemDcc[0]
215	SpwDInB	228	CpdmArmN	241	Vss[9]	254	MemD[15]
216	SpwIfSel	229	CpdmStrb	242	TestSignalOut[4]	255	MemD[14]
217	SpwSInA	230	CselRmOn	243	TestSignalOut[5]	256	MemD[13]
218	SpwDInA	231	CselStatusIn[2]	244	TestSignalIn[5]		
219	SpwClk	232	CselStatusIn[1]	245	MemDcc[5]		
220	Vdd[11]	233	CselStatusIn[0]	246	MemDcc[4]		
221	SpwSOut	234	Vdd[10]	247	Vdd[9]		

10. Ordering Information

Part number	Temperature range	Quality flow
AT7909EKA-E	25 °C	Engineering sample
AT7909EKA-MQ	-55 °C to +125 °C	Mil Level B (*)
AT7909EKA-SV	-55 °C to +125 °C	Space Level B (*)

(*) according to Atmel Quality flow document reference 4288.



Atmel Corporation

2325 Orchard Parkway
San Jose, CA 95131, USA
Tel: 1(408) 441-0311
Fax: 1(408) 487-2600

Regional Headquarters

Europe

Atmel Sarl
Route des Arsenalux 41
Case Postale 80
CH-1705 Fribourg
Switzerland
Tel: (41) 26-426-5555
Fax: (41) 26-426-5500

Asia

Room 1219
Chinachem Golden Plaza
77 Mody Road Tsimshatsui
East Kowloon
Hong Kong
Tel: (852) 2721-9778
Fax: (852) 2722-1369

Japan

9F, Tonetsu Shinkawa Bldg.
1-24-8 Shinkawa
Chuo-ku, Tokyo 104-0033
Japan
Tel: (81) 3-3523-3551
Fax: (81) 3-3523-7581

Atmel Operations

Memory

2325 Orchard Parkway
San Jose, CA 95131, USA
Tel: 1(408) 441-0311
Fax: 1(408) 436-4314

Microcontrollers

2325 Orchard Parkway
San Jose, CA 95131, USA
Tel: 1(408) 441-0311
Fax: 1(408) 436-4314

La Chantrerie
BP 70602
44306 Nantes Cedex 3, France
Tel: (33) 2-40-18-18-18
Fax: (33) 2-40-18-19-60

ASIC/ASSP/Smart Cards

Zone Industrielle
13106 Rousset Cedex, France
Tel: (33) 4-42-53-60-00
Fax: (33) 4-42-53-60-01

1150 East Cheyenne Mtn. Blvd.
Colorado Springs, CO 80906, USA
Tel: 1(719) 576-3300
Fax: 1(719) 540-1759

Scottish Enterprise Technology Park
Maxwell Building
East Kilbride G75 0QR, Scotland
Tel: (44) 1355-803-000
Fax: (44) 1355-242-743

RF/Automotive

Theresienstrasse 2
Postfach 3535
74025 Heilbronn, Germany
Tel: (49) 71-31-67-0
Fax: (49) 71-31-67-2340

1150 East Cheyenne Mtn. Blvd.
Colorado Springs, CO 80906, USA
Tel: 1(719) 576-3300
Fax: 1(719) 540-1759

Biometrics/Imaging/Hi-Rel MPU/ High Speed Converters/RF Datacom

Avenue de Rochepleine
BP 123
38521 Saint-Egreve Cedex, France
Tel: (33) 4-76-58-30-00
Fax: (33) 4-76-58-34-80

Literature Requests

www.atmel.com/literature

Disclaimer: The information in this document is provided in connection with Atmel products. No license, express or implied, by estoppel or otherwise, to any intellectual property right is granted by this document or in connection with the sale of Atmel products. **EXCEPT AS SET FORTH IN ATMEL'S TERMS AND CONDITIONS OF SALE LOCATED ON ATMEL'S WEB SITE, ATMEL ASSUMES NO LIABILITY WHATSOEVER AND DISCLAIMS ANY EXPRESS, IMPLIED OR STATUTORY WARRANTY RELATING TO ITS PRODUCTS INCLUDING, BUT NOT LIMITED TO, THE IMPLIED WARRANTY OF MERCHANTABILITY, FITNESS FOR A PARTICULAR PURPOSE, OR NON-INFRINGEMENT. IN NO EVENT SHALL ATMEL BE LIABLE FOR ANY DIRECT, INDIRECT, CONSEQUENTIAL, PUNITIVE, SPECIAL OR INCIDENTAL DAMAGES (INCLUDING, WITHOUT LIMITATION, DAMAGES FOR LOSS OF PROFITS, BUSINESS INTERRUPTION, OR LOSS OF INFORMATION) ARISING OUT OF THE USE OR INABILITY TO USE THIS DOCUMENT, EVEN IF ATMEL HAS BEEN ADVISED OF THE POSSIBILITY OF SUCH DAMAGES.** Atmel makes no representations or warranties with respect to the accuracy or completeness of the contents of this document and reserves the right to make changes to specifications and product descriptions at any time without notice. Atmel does not make any commitment to update the information contained herein. Unless specifically provided otherwise, Atmel products are not suitable for, and shall not be used in, automotive applications. Atmel's products are not intended, authorized, or warranted for use as components in applications intended to support or sustain life.

©2007 Atmel Corporation. All rights reserved. Atmel®, logo and combinations thereof, and others are the trademarks or registered trademarks, of Atmel Corporation or its subsidiaries. Other terms and product names may be trademarks of others.



Printed on recycled paper.

7693A-AERO-06/07