

# RF LDMOS Wideband Integrated Power Amplifiers

The MWIC930 wideband integrated circuit is designed for CDMA and GSM/GSM EDGE applications. It uses Freescale's newest High Voltage (26 to 28 Volts) LDMOS IC technology and integrates a multi-stage structure. Its wideband On-Chip integral matching circuitry makes it usable from 790 to 1000 MHz. The linearity performances cover all modulations for cellular applications: GSM, GSM EDGE, TDMA, N-CDMA and W-CDMA.

### Final Application

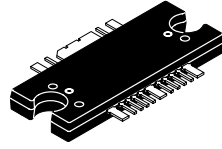
- Typical Performance @ P1dB:  $V_{DD} = 26$  Volts,  $I_{DQ1} = 90$  mA,  $I_{DQ2} = 240$  mA,  $P_{out} = 30$  Watts P1dB, Full Frequency Band (921-960 MHz)  
Power Gain — 30 dB  
Power Added Efficiency — 45%

### Driver Application

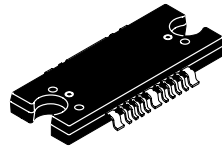
- Typical Single-Carrier N-CDMA Performance:  $V_{DD} = 27$  Volts,  $I_{DQ1} = 90$  mA,  $I_{DQ2} = 240$  mA,  $P_{out} = 5$  Watts Avg., Full Frequency Band (865-894 MHz), IS -95 (Pilot, Sync, Paging, Traffic Codes 8 Through 13), Channel Bandwidth = 1.2288 MHz. PAR = 9.8 dB @ 0.01% Probability on CCDF.  
Power Gain — 31 dB  
Power Added Efficiency — 21%  
ACPR @ 750 kHz Offset — -52 dBc in 30 kHz Bandwidth
- Capable of Handling 5:1 VSWR, @ 26 Vdc, 921 MHz, 30 Watts CW Output Power
- Characterized with Series Equivalent Large-Signal Impedance Parameters
- On-Chip Matching (50 Ohm Input, DC Blocked, >4 Ohm Output)
- Integrated Quiescent Current Temperature Compensation with Enable/Disable Function
- On-Chip Current Mirror  $g_m$  Reference FET for Self Biasing Application (1)
- Integrated ESD Protection
- 200°C Capable Plastic Package
- In Tape and Reel. R1 Suffix = 500 Units per 44 mm, 13 inch Reel.

**MWIC930R1**  
**MWIC930GR1**

**746-960 MHz, 30 W, 26-28 V**  
**SINGLE N-CDMA, GSM/GSM EDGE**  
**RF LDMOS WIDEBAND INTEGRATED**  
**POWER AMPLIFIERS**



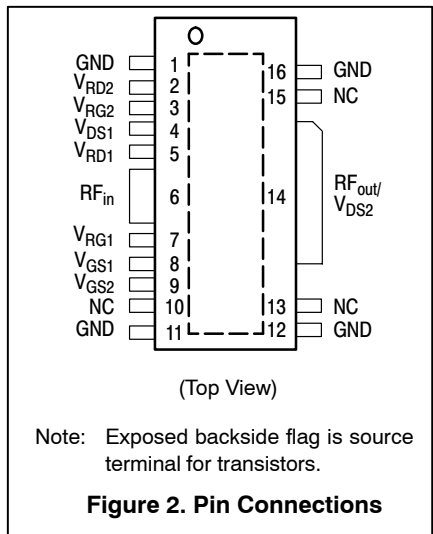
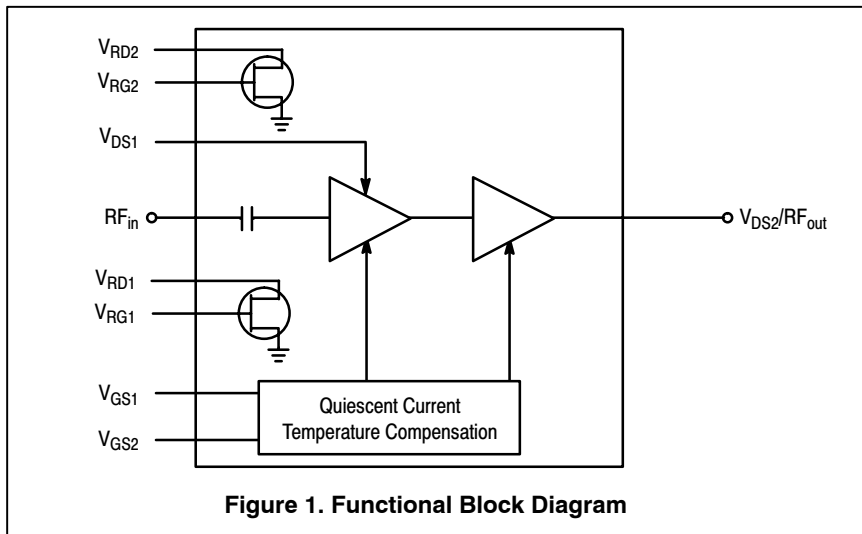
**CASE 1329-09**  
**TO-272 WB-16**  
**PLASTIC**  
**MWIC930R1**



**CASE 1329A-03**  
**TO-272 WB-16 GULL**  
**PLASTIC**  
**MWIC930GR1**

ARCHIVE INFORMATION

ARCHIVE INFORMATION



1. Refer to AN1987/D, *Quiescent Current Control for the RF Integrated Circuit Device Family*. Go to <http://www.freescale.com/rf>. Select Documentation/Application Notes - AN1987.

**Table 1. Maximum Ratings**

| Rating                         | Symbol    | Value       | Unit |
|--------------------------------|-----------|-------------|------|
| Drain-Source Voltage           | $V_{DSS}$ | -0.5, +65   | Vdc  |
| Gate-Source Voltage            | $V_{GS}$  | -0.5, +15   | Vdc  |
| Storage Temperature Range      | $T_{stg}$ | -65 to +175 | °C   |
| Operating Junction Temperature | $T_J$     | 200         | °C   |

**Table 2. Thermal Characteristics**

| Characteristic                                 | Symbol  | Value (1,2) | Unit |
|--|---|-------------|------|
| Thermal Resistance, Junction to Case           | $R_{\theta JC}$   |             | °C/W |
| GSM Application<br>( $P_{out} = 30$ W CW)      | Stage 1, 26 Vdc, $I_{DQ} = 90$ mA<br>Stage 2, 26 Vdc, $I_{DQ} = 240$ mA | 5.9<br>1.4  |      |
| GSM EDGE Application<br>( $P_{out} = 15$ W CW) | Stage 1, 27 Vdc, $I_{DQ} = 90$ mA<br>Stage 2, 27 Vdc, $I_{DQ} = 240$ mA | 6.5<br>1.7  |      |
| CDMA Application<br>( $P_{out} = 5$ W CW)      | Stage 1, 27 Vdc, $I_{DQ} = 90$ mA<br>Stage 2, 27 Vdc, $I_{DQ} = 240$ mA | 6.5<br>1.8  |      |

**Table 3. ESD Protection Characteristics**

| Test Conditions     | Class        |
|---------------------|--------------|
| Human Body Model    | 1 (Minimum)  |
| Machine Model       | M3 (Minimum) |
| Charge Device Model | C2 (Minimum) |

**Table 4. Moisture Sensitivity Level**

| Test Methodology                      | Rating | Package Peak Temperature | Unit |
|---------------------------------------|--------|--------------------------|------|
| Per JESD 22-A113, IPC/JEDEC J-STD-020 | 3      | 260                      | °C   |

**Table 5. Electrical Characteristics** ( $T_C = 25^\circ\text{C}$ , unless otherwise noted)

| Characteristic | Symbol | Min | Typ | Max | Unit |
|----------------|--------|-----|-----|-----|------|
|----------------|--------|-----|-----|-----|------|

**Functional Tests** (In Freescale Test Fixture, 50 ohm system)  $V_{DD} = 27$  Vdc,  $I_{DQ1} = 90$  mA,  $I_{DQ2} = 240$  mA,  $P_{out} = 5$  W Avg. N-CDMA,  $f = 880$  MHz, Single-Carrier N-CDMA, 1.2288 MHz Channel Bandwidth Carrier. ACPR measured in 30 kHz Bandwidth @  $\pm 750$  MHz Offset. PAR = 9.8 dB @ 0.01% Probability on CCDF

|                                       |          |    |     |     |     |
|---------------------------------------|----------|----|-----|-----|-----|
| Power Gain                            | $G_{ps}$ | 28 | 31  | —   | dB  |
| Power Added Efficiency                | PAE      | 18 | 21  | —   | %   |
| Input Return Loss<br>( $f = 880$ MHz) | IRL      | —  | -12 | -9  | dB  |
| Adjacent Channel Power Ratio          | ACPR     | —  | -52 | -48 | dBc |

**Typical Performances** (In Freescale Test Fixture)  $V_{DD} = 26$  Vdc,  $I_{DQ1} = 90$  mA,  $I_{DQ2} = 240$  mA, 840 MHz < Frequency < 920 MHz

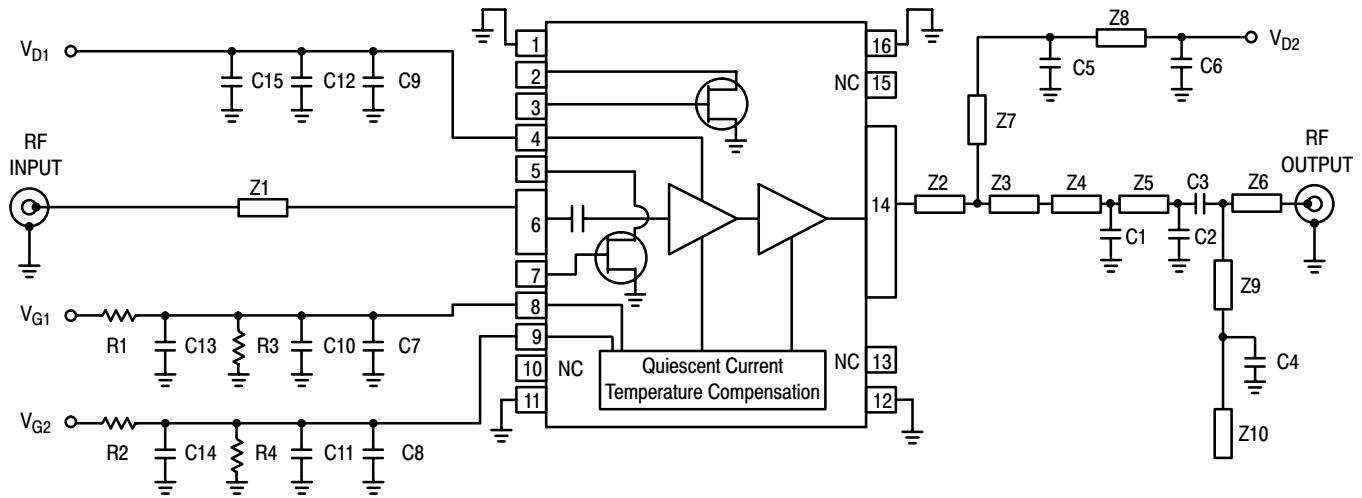
|   |                                      |   |                        |   |    |
|---|--------------------------------------|---|------------------------|---|----|
| Quiescent Current Accuracy over Temperature (2)<br>Stage 1 with 33.2 k $\Omega$ Gate Feed Resistors (-30 to 115°C)<br>Stage 2 with 47.5 k $\Omega$ Gate Feed Resistors (-30 to 115°C) | $\Delta I_{1QT}$<br>$\Delta I_{2QT}$ | — | $\pm 2.5$<br>$\pm 2.5$ | — | %  |
| Gain Flatness in 80 MHz Bandwidth @ $P_{out} = 5$ W CW  | $G_F$                                | — | 0.3                    | — | dB |
| Deviation from Linear Phase in 80 MHz Bandwidth @ $P_{out} = 5$ W CW  | $\Phi$                               | — | 0.6                    | — | °  |
| Delay @ $P_{out} = 5$ W CW Including Output Matching  | Delay                                | — | 3                      | — | ns |
| Part-to-Part Phase Variation @ $P_{out} = 5$ W CW   | $\Delta\Phi$                         | — | $\pm 15$               | — | °  |

1. Refer to AN1955/D, *Thermal Measurement Methodology of RF Power Amplifiers*. Go to <http://www.freescale.com/rf>. Select Documentation/Application Notes - AN1955.
2. Refer to AN1977/D, *Quiescent Current Thermal Tracking Circuit in the RF Integrated Circuit Family*. Go to <http://www.freescale.com/rf>. Select Documentation/Application Notes - AN1977.

(continued)

**Table 5. Electrical Characteristics** ( $T_C = 25^\circ\text{C}$ , unless otherwise noted) (continued)

| Characteristic   | Symbol         | Min | Typ | Max | Unit |
|--|----------------|-----|-----|-----|------|
| <b>Typical GSM/GSM EDGE Performances</b> (In Freescale GSM/GSM EDGE Test Fixture, 50 ohm system) $V_{DD} = 27\text{ Vdc}$ , $I_{DQ1} = 90\text{ mA}$ , $I_{DQ2} = 240\text{ mA}$ , 921 MHz < Frequency < 960 MHz |                |     |     |     |      |
| Output Power, 1dB Compression Point  | P1dB           | —   | 30  | —   | W    |
| Power Gain @ $P_{out} = 30\text{ W CW}$  | $G_{ps}$       | —   | 30  | —   | dB   |
| Power Added Efficiency @ $P_{out} = 30\text{ W CW}$  | PAE            | —   | 45  | —   | %    |
| Input Return Loss @ $P_{out} = 30\text{ W CW}$   | IRL            | —   | -12 | —   | dB   |
| Intermodulation Distortion<br>(15 W, 2-Tone, 100 kHz Tone Spacing)   | IMD            | —   | -30 | —   | dBc  |
| Intermodulation Distortion<br>(1 W, 2-Tone, 100 kHz Tone Spacing)  | IMD<br>backoff | —   | -45 | —   | dBc  |
| Gain Flatness in a 40 MHz Bandwidth @ $P_{out} = 30\text{ W CW}$   | $G_F$          | —   | 0.3 | —   | dB   |
| Deviation from Linear Phase in a 40 MHz Bandwidth @ $P_{out} = 30\text{ W CW}$   | $\Phi$         | —   | 0.6 | —   | °    |



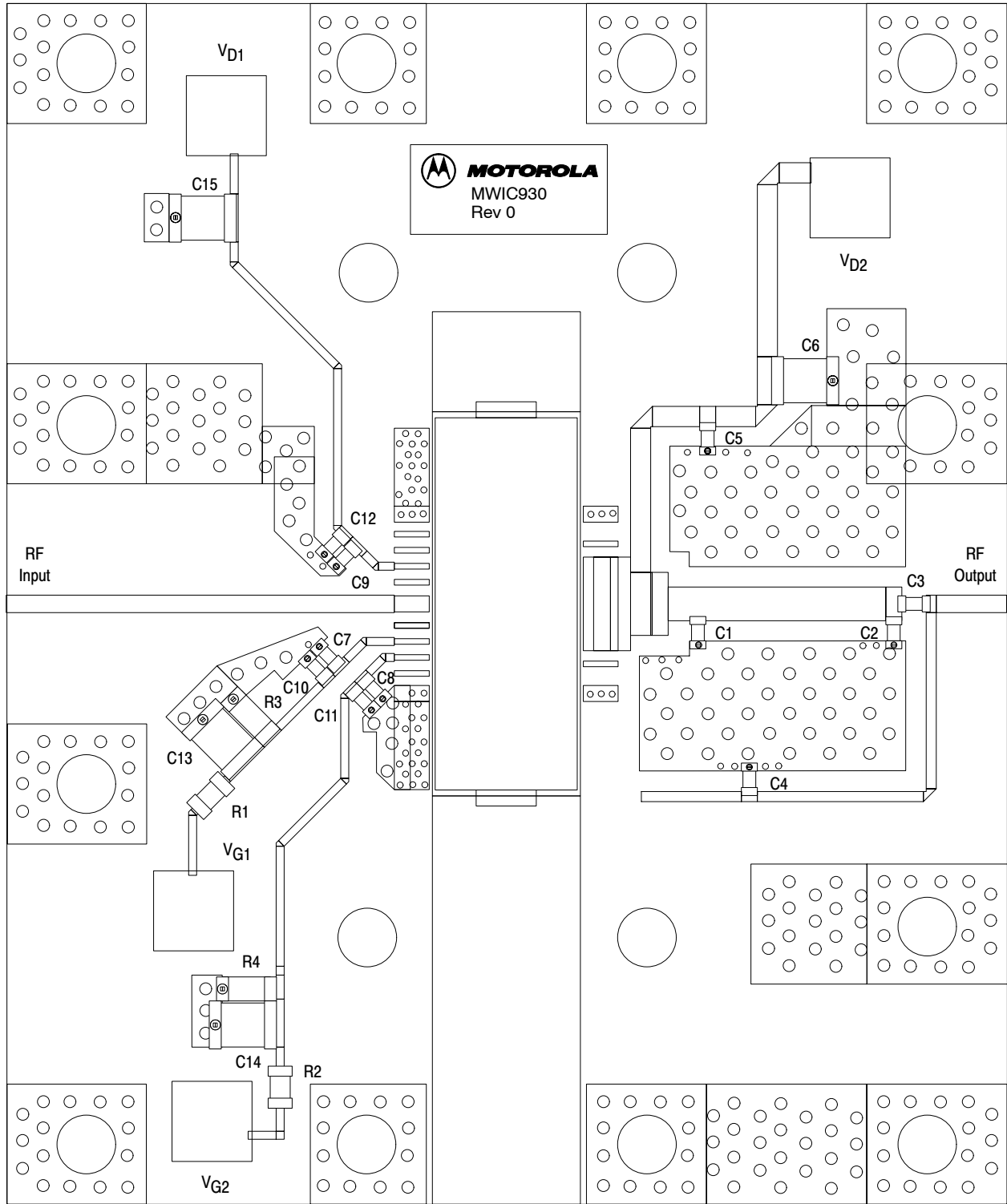
|    |  |     |  |
|----|--|-----|--|
| Z1 | 0.0438" x 0.970" 50 Ω Microstrip<br>(not including lead pad) | Z6  | 0.0438" x 0.2009" Microstrip               |
| Z2 | 0.234" x 0.1183" Microstrip<br>(including lead pad)          | Z7  | 0.5274" x 0.0504" Microstrip               |
| Z3 | 0.1575" x 0.9379" Microstrip                                 | Z8  | 0.0504" x 0.250" Microstrip                |
| Z4 | 0.08425" x 0.0729" Microstrip                                | Z9  | 0.880" x 0.0254" Microstrip                |
| Z5 | 0.08425" x 0.5111" Microstrip                                | Z10 | 0.0254" x 0.250" Microstrip                |
|    |  | PCB | Rogers 4350, 0.020", ε <sub>r</sub> = 3.50 |

**Figure 3. MWIC930R1(GR1) Test Fixture Schematic**

**Table 6. MWIC930R1(GR1) Test Fixture Component Designations and Values**

| Part                | Description   | Part Number                  | Manufacturer |
|---------------------|---|------------------------------|--------------|
| *C1                 | 15 pF High Q Capacitor  | ATC600S150JW                 | ATC          |
| *C2                 | 6.8 pF High Q Capacitor - GSM Fixture<br>8.2 pF High Q Capacitor - CDMA Fixture | ATC600S6R8CW<br>ATC600S8R2CW | ATC          |
| *C3                 | 5.6 pF High Q Capacitor   | ATC600S5R6CW                 | ATC          |
| *C4, C5, C7, C8, C9 | 47 pF High Q Capacitors   | ATC600S470JW                 | ATC          |
| C6, C13, C14, C15   | 1 μF Chip Capacitors  | GRM42-2X7R105K050AL          | Murata       |
| C10, C11, C12       | 10 nF Chip Capacitors   | C0603C103J5R                 | Kemet        |
| R1, R2              | 1 kΩ, 1/8 W Chip Resistors  | RM73B2AT102J                 | KOA Speer    |
| R3, R4              | 1 MΩ, 1/4 W Chip Resistors  | RM73B2BT105J                 | KOA Speer    |

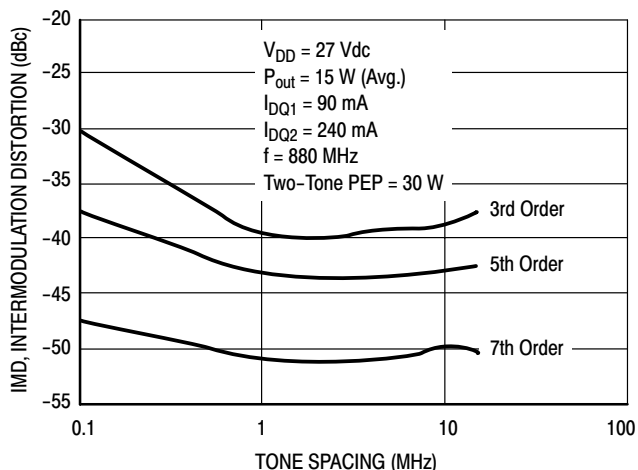
\* For output matching and bypass purposes, it is strongly recommended to use these exact capacitors.



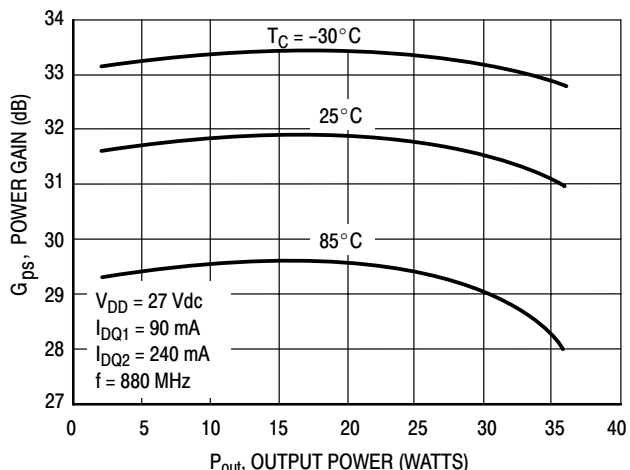
Freescale has begun the transition of marking Printed Circuit Boards (PCBs) with the Freescale Semiconductor signature/logo. PCBs may have either Motorola or Freescale markings during the transition period. These changes will have no impact on form, fit or function of the current product.

**Figure 4. MWIC930R1(GR1) Test Circuit Component Layout**

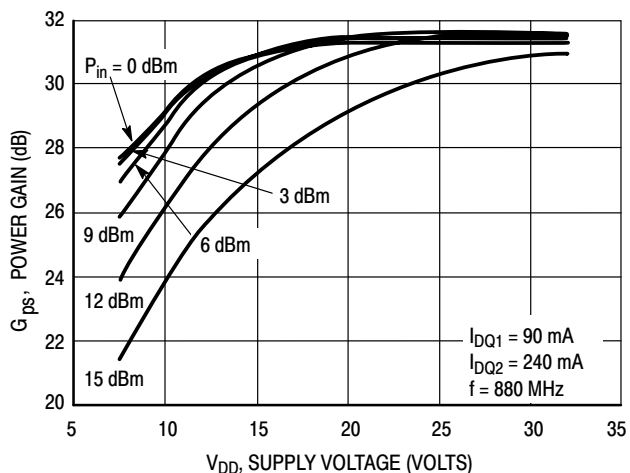
## TYPICAL CHARACTERISTICS



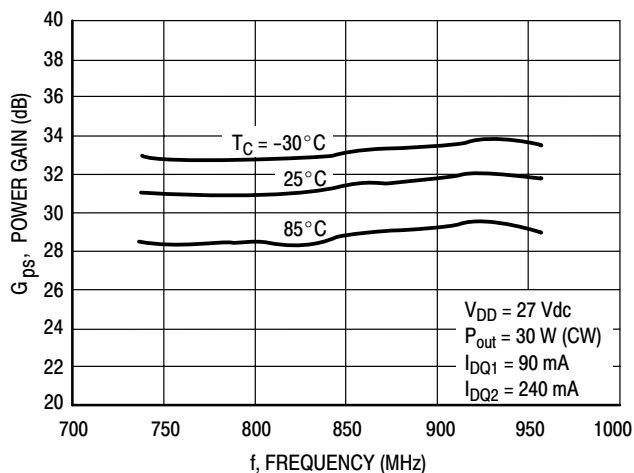
**Figure 5. Intermodulation Distortion Products versus Output Power**



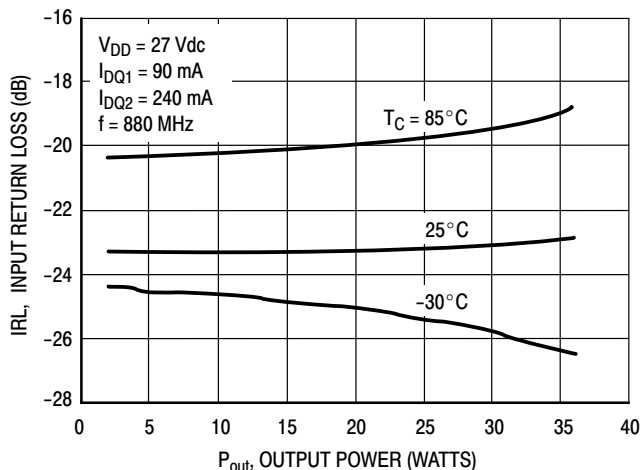
**Figure 6. Power Gain versus Output Power**



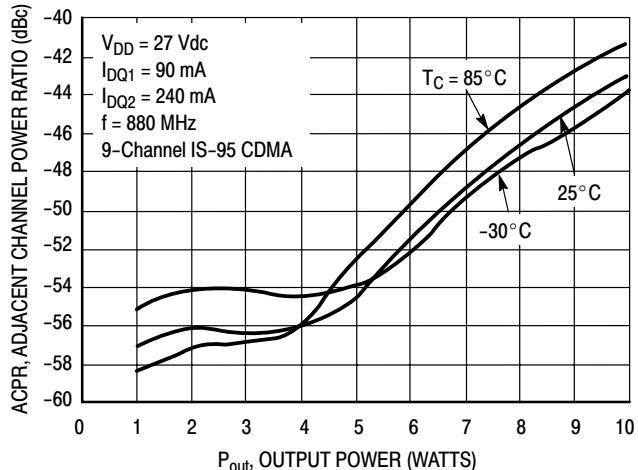
**Figure 7. Power Gain versus Supply Voltage**



**Figure 8. Power Gain versus Frequency**



**Figure 9. Input Return Loss versus Output Power**



**Figure 10. Adjacent Channel Power Ratio versus Output Power**

ARCHIVE INFORMATION

ARCHIVE INFORMATION

## TYPICAL CHARACTERISTICS

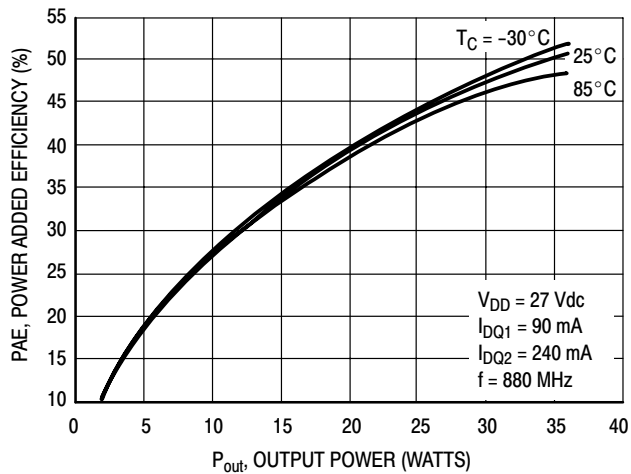


Figure 11. Power Added Efficiency versus Output Power

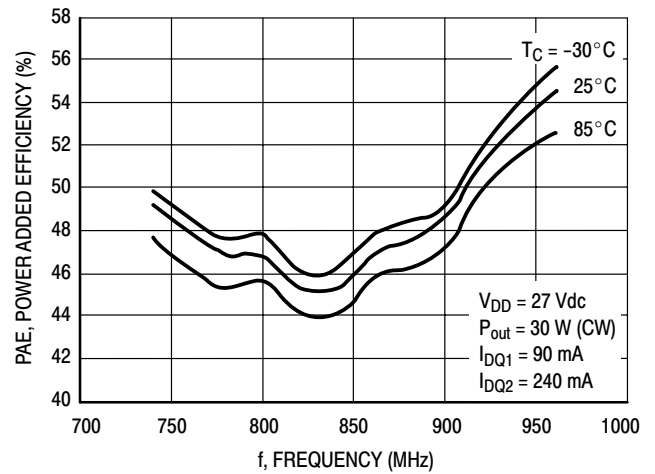
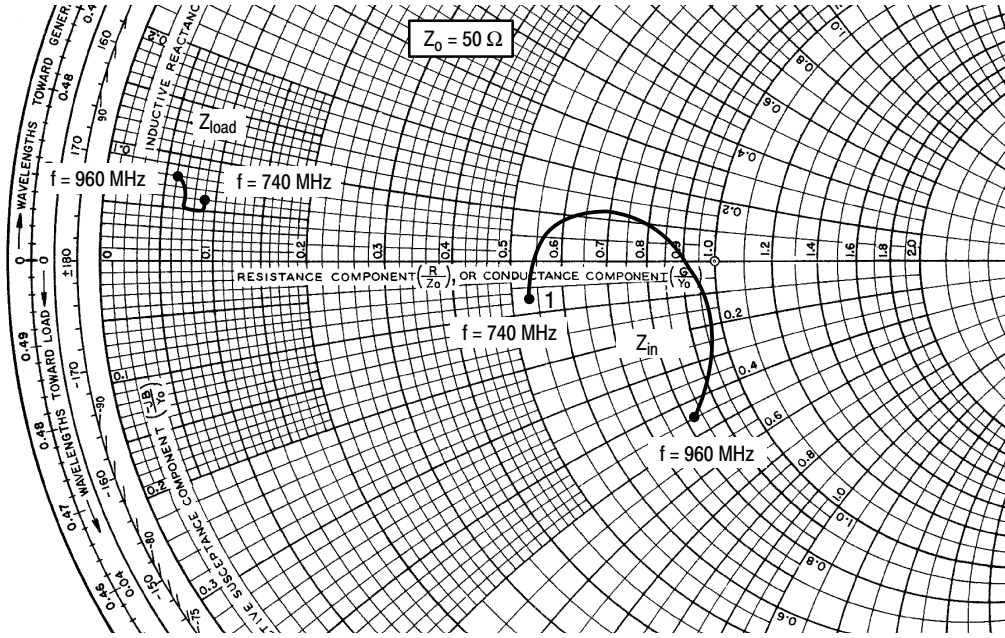


Figure 12. Power Added Efficiency versus Frequency

ARCHIVE INFORMATION

ARCHIVE INFORMATION



$V_{DD} = 27 \text{ Vdc}$ ,  $I_{DQ1} = 90 \text{ mA}$ ,  $I_{DQ2} = 240 \text{ mA}$ ,  $P_{out} = 5 \text{ W Avg.}$

| f<br>MHz | $Z_{in}$<br>$\Omega$ | $Z_{load}$<br>$\Omega$ |
|----------|----------------------|------------------------|
| 740      | $26.61 - j3.68$      | $4.28 + j2.99$         |
| 760      | $26.88 - j0.53$      | $4.37 + j2.91$         |
| 780      | $28.22 + j2.21$      | $4.39 + j2.79$         |
| 800      | $30.57 + j4.31$      | $4.34 + j2.64$         |
| 820      | $33.79 + j5.53$      | $4.21 + j2.54$         |
| 840      | $37.83 + j5.30$      | $4.06 + j2.52$         |
| 860      | $41.92 + j3.42$      | $3.90 + j2.58$         |
| 880      | $45.58 - j0.40$      | $3.73 + j2.70$         |
| 900      | $47.77 - j5.84$      | $3.59 + j2.93$         |
| 920      | $47.83 - j12.15$     | $3.43 + j3.17$         |
| 940      | $45.55 - j18.05$     | $3.28 + j3.44$         |
| 960      | $41.58 - j22.64$     | $3.13 + j3.75$         |

$Z_{in}$  = Device input impedance as measured from RF input to ground.

$Z_{load}$  = Test circuit impedance as measured from drain to ground.

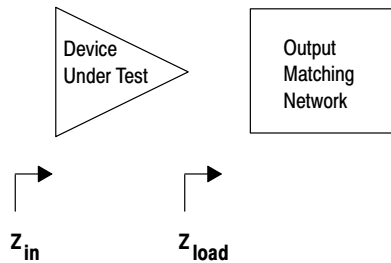
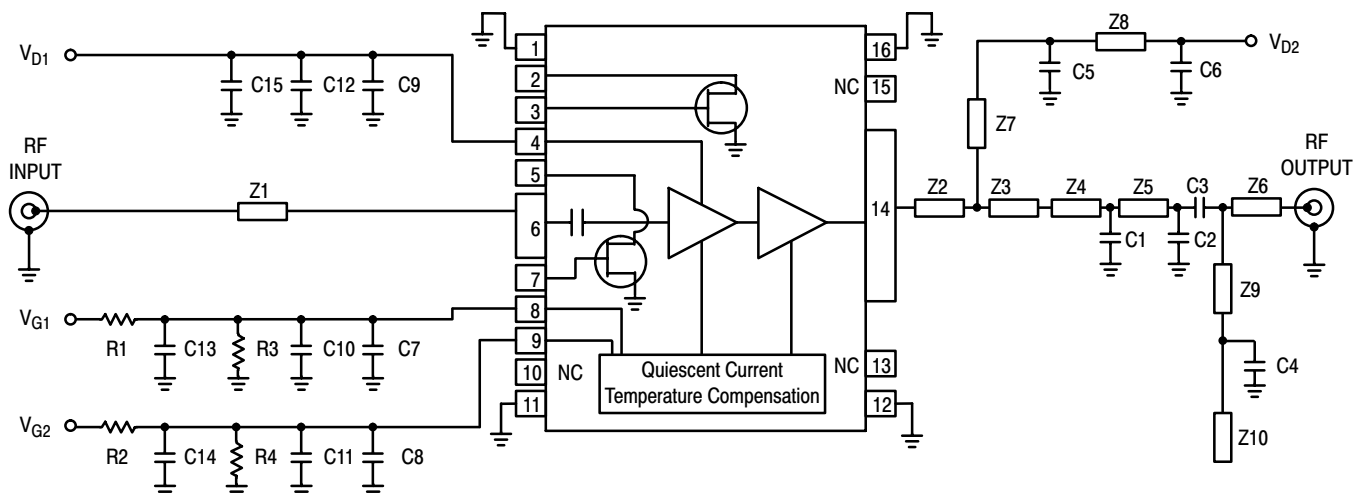


Figure 13. Series Equivalent Input and Load Impedance

## DRIVER/PRE-DRIVER PERFORMANCE



|    |  |     |  |
|----|--|-----|--|
| Z1 | 0.0438" x 0.970" 50 Ω Microstrip<br>(not including lead pad) | Z6  | 0.0438" x 0.2009" Microstrip               |
| Z2 | 0.234" x 0.1183" Microstrip<br>(including lead pad)          | Z7  | 0.5274" x 0.0504" Microstrip               |
| Z3 | 0.1575" x 0.9379" Microstrip                                 | Z8  | 0.0504" x 0.250" Microstrip                |
| Z4 | 0.08425" x 0.0729" Microstrip                                | Z9  | 0.880" x 0.0254" Microstrip                |
| Z5 | 0.08425" x 0.5111" Microstrip                                | Z10 | 0.0254" x 0.250" Microstrip                |
|    |  | PCB | Rogers 4350, 0.020", ε <sub>r</sub> = 3.50 |

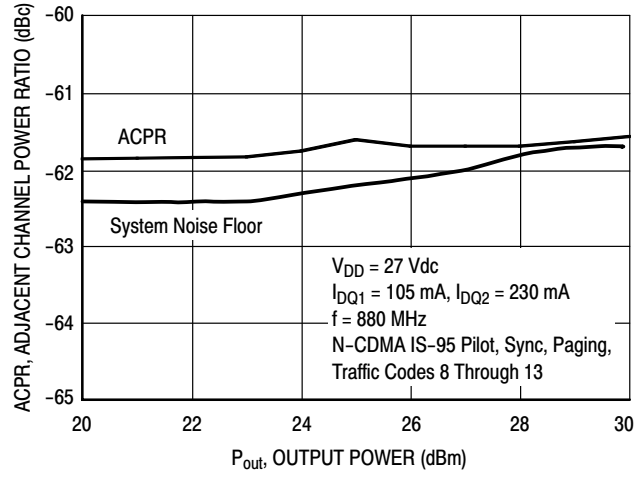
**Figure 14. MWIC930R1(GR1) Test Fixture Schematic —  
Alternate Characterization for Driver/Pre-Driver Performance**

**Table 7. MWIC930R1(GR1) Test Fixture Component Designations and Values —  
Alternate Characterization for Driver/Pre-Driver Performance**

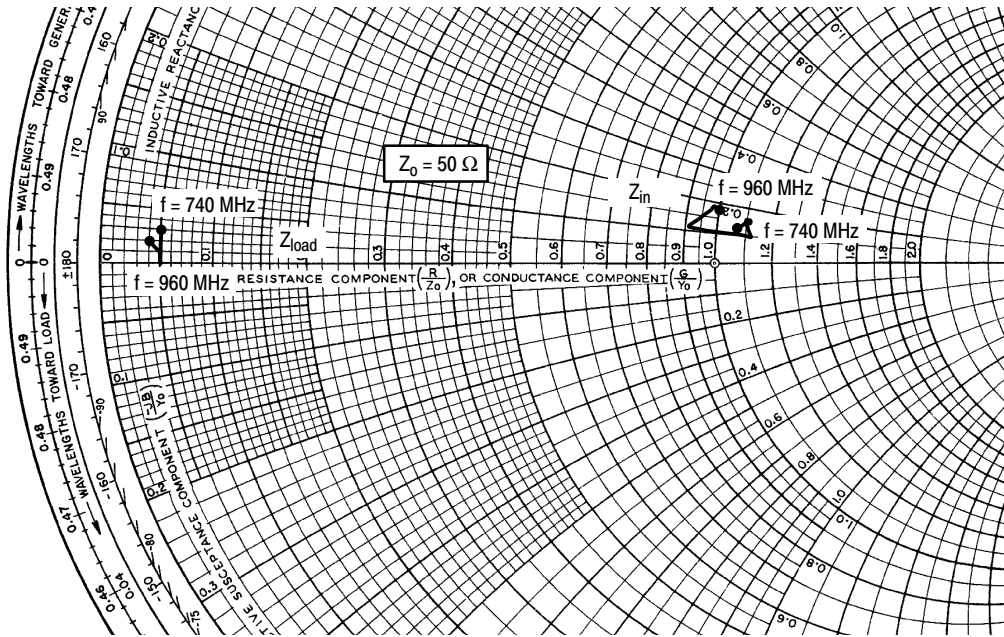
| Part                | Description                            | Part Number         | Manufacturer |
|---------------------|--|---------------------|--------------|
| *C1                 | 12 pF High Q Capacitor                 | ATC600S120JW        | ATC          |
| *C2                 | 8.2 pF High Q Capacitor - CDMA Fixture | ATC600S8R2CW        | ATC          |
| *C3                 | 5.6 pF High Q Capacitor                | ATC600S5R6CW        | ATC          |
| *C4, C5, C7, C8, C9 | 47 pF High Q Capacitors                | ATC600S470JW        | ATC          |
| C6, C13, C14, C15   | 1 μF Chip Capacitors                   | GRM42-2X7R105K050AL | Murata       |
| C10, C11, C12       | 10 nF Chip Capacitors                  | C0603C103J5R        | Kemet        |
| R1, R2              | 1 kΩ, 1/8 W Chip Resistors             | RM73B2AT102J        | KOA Speer    |
| R3, R4              | 1 MΩ, 1/4 W Chip Resistors             | RM73B2BT105J        | KOA Speer    |

\* For output matching and bypass purposes, it is strongly recommended to use these exact capacitors.

**TYPICAL CHARACTERISTICS  
DRIVER/PRE-DRIVER PERFORMANCE**



**Figure 15. Single-Carrier N-CDMA ACPR versus Output Power**



$V_{DD} = 27 \text{ Vdc}$ ,  $I_{DQ1} = 105 \text{ mA}$ ,  $I_{DQ2} = 230 \text{ mA}$ ,  $P_{out} = 5 \text{ W Avg.}$

| f<br>MHz | $Z_{in}$<br>$\Omega$ | $Z_{load}$<br>$\Omega$ |
|----------|----------------------|------------------------|
| 740      | $53.944 + j6.745$    | $2.535 + j1.662$       |
| 760      | $54.452 + j7.112$    | $2.602 + j1.080$       |
| 780      | $55.006 + j7.440$    | $2.688 + j0.548$       |
| 800      | $55.549 + j7.656$    | $2.659 + j0.064$       |
| 820      | $55.604 + j7.855$    | $2.615 + j0.329$       |
| 840      | $55.190 + j7.835$    | $2.568 + j0.450$       |
| 860      | $55.110 + j7.410$    | $2.494 + j0.620$       |
| 880      | $55.752 + j4.763$    | $2.444 + j0.650$       |
| 900      | $45.606 + j5.832$    | $2.440 + j0.689$       |
| 920      | $49.206 + j9.284$    | $2.134 + j0.930$       |
| 940      | $49.939 + j9.030$    | $2.155 + j0.835$       |
| 960      | $50.088 + j8.752$    | $2.095 + j1.235$       |

$Z_{in}$  = Device input impedance as measured from RF input to ground.

$Z_{load}$  = Test circuit impedance as measured from drain to ground.

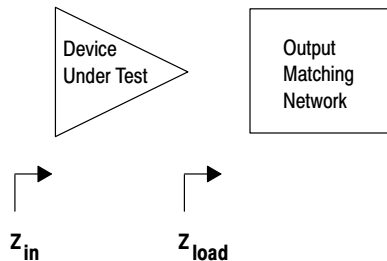


Figure 16. Series Equivalent Input and Load Impedance — Alternate Characterization for Driver/Pre-Driver Performance

# NOTES

ARCHIVE INFORMATION

ARCHIVE INFORMATION

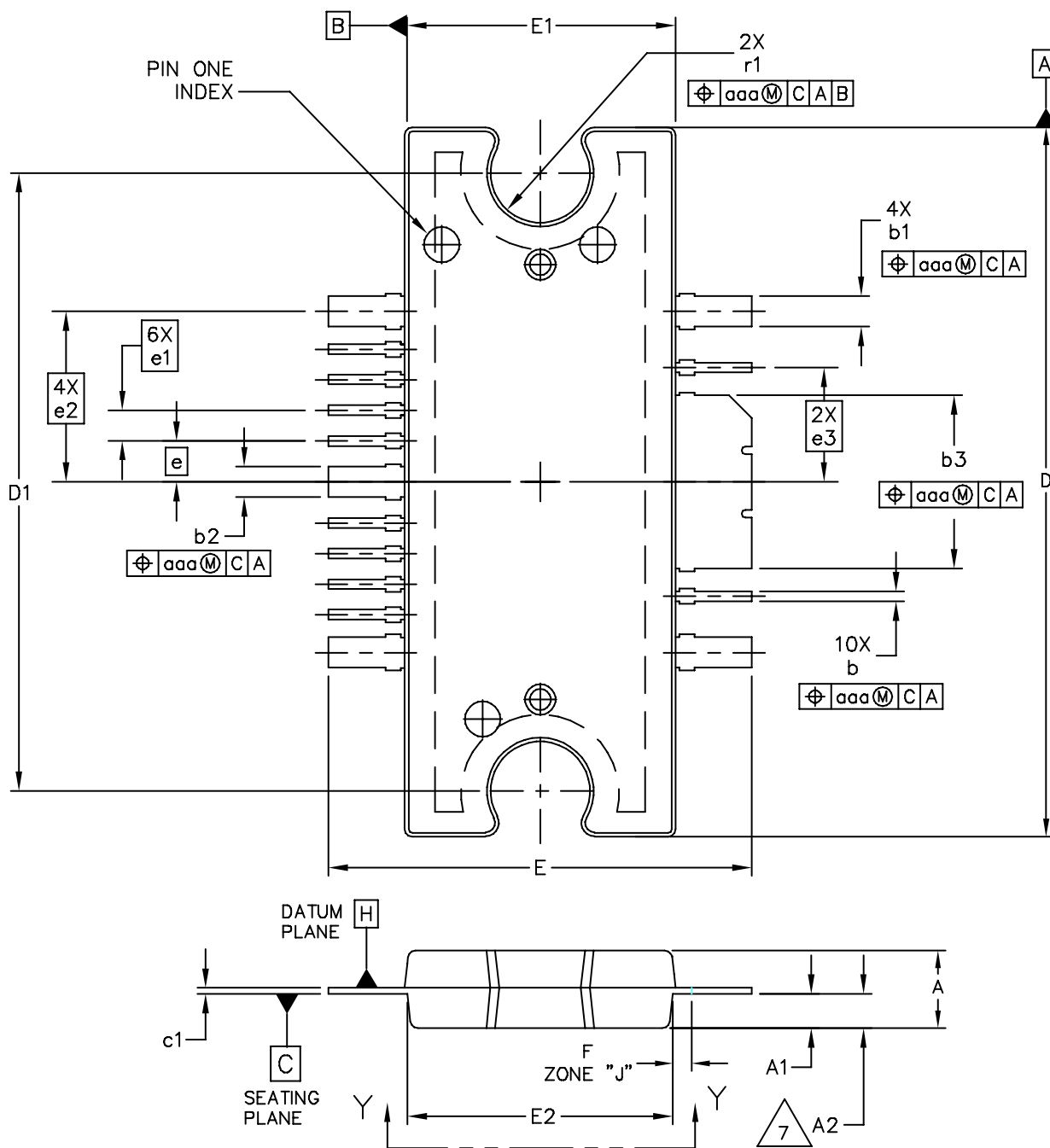
---

## NOTES

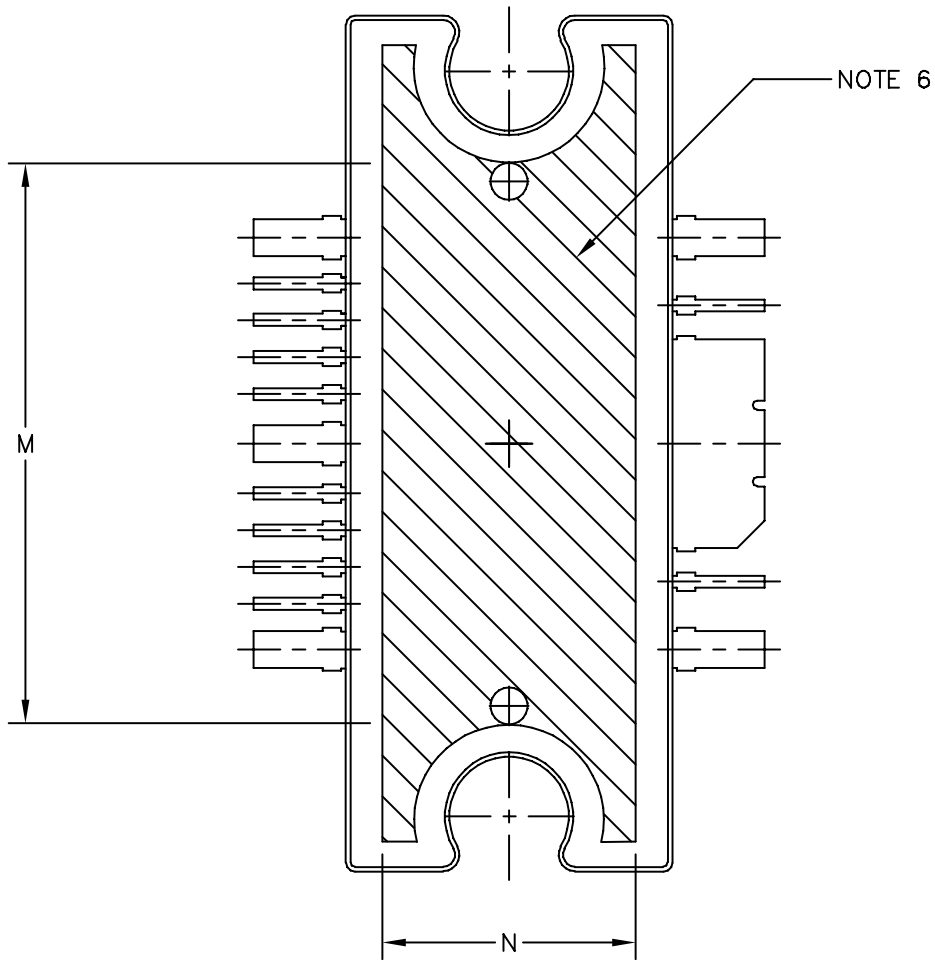
ARCHIVE INFORMATION

ARCHIVE INFORMATION

PACKAGE DIMENSIONS



|   |                           |                            |             |
|---|---------------------------|----------------------------|-------------|
| © FREESCALE SEMICONDUCTOR, INC.<br>ALL RIGHTS RESERVED. | <b>MECHANICAL OUTLINE</b> | PRINT VERSION NOT TO SCALE |             |
| TITLE:<br>TO-272 WIDE BODY<br>MULTI-LEAD                | DOCUMENT NO: 98ARH99164A  |                            | REV: L      |
|   | CASE NUMBER: 1329-09      |                            | 13 MAR 2006 |
|   | STANDARD: NON-JEDEC       |                            |             |



VIEW Y-Y

|   |                           |                            |  |
|---|---------------------------|----------------------------|--|
| © FREESCALE SEMICONDUCTOR, INC.<br>ALL RIGHTS RESERVED. | <b>MECHANICAL OUTLINE</b> | PRINT VERSION NOT TO SCALE |  |
| TITLE:<br>TO-272 WIDE BODY<br>MULTI-LEAD                | DOCUMENT NO: 98ARH99164A  | REV: L                     |  |
|   | CASE NUMBER: 1329-09      | 13 MAR 2006                |  |
|   | STANDARD: NON-JEDEC       |                            |  |

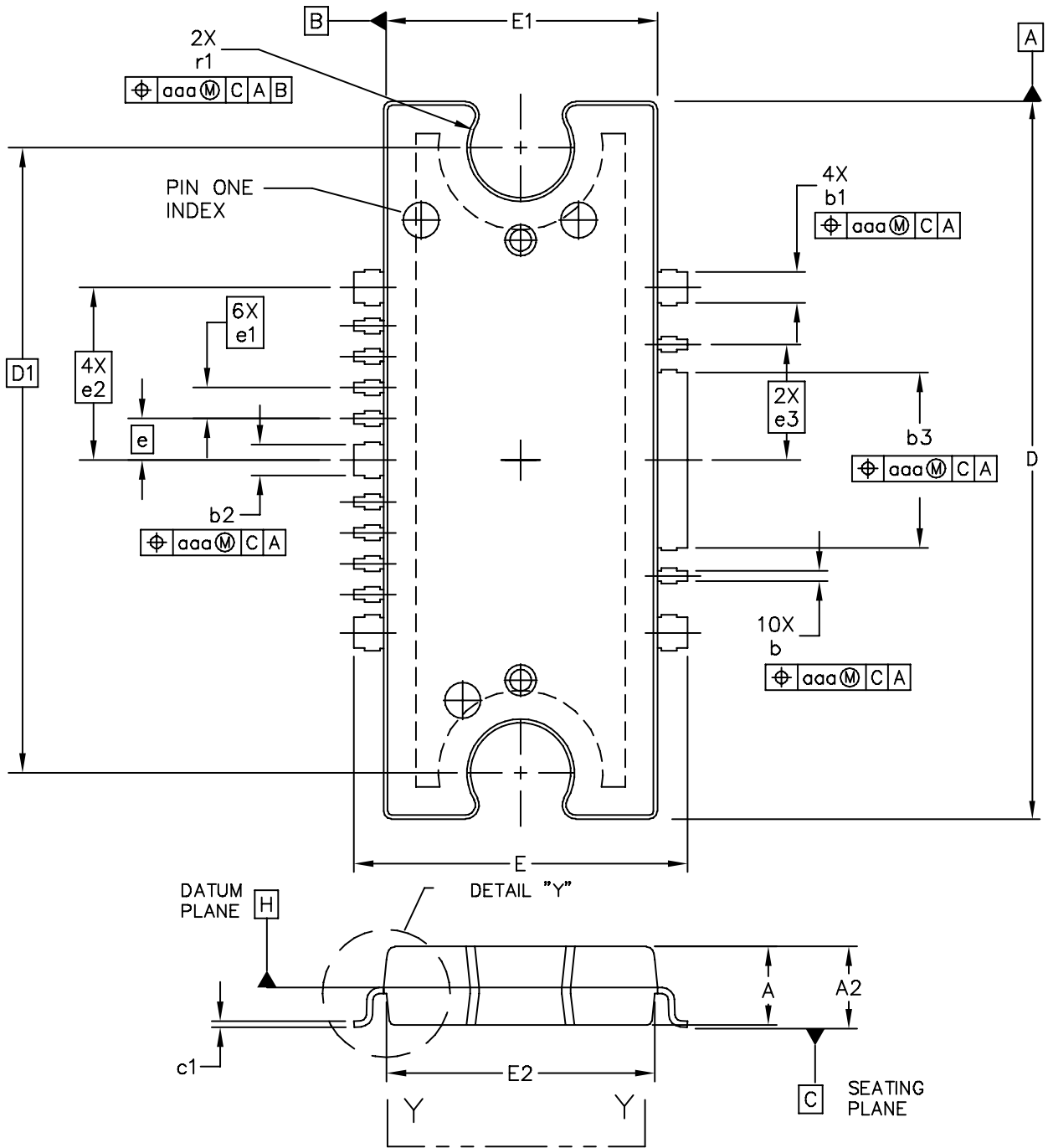
MWIC930R1 MWIC930GR1

NOTES:

1. CONTROLLING DIMENSION: INCH
2. INTERPRET DIMENSIONS AND TOLERANCES PER ASME Y14.5M-1994.
3. DATUM PLANE -H- IS LOCATED AT THE TOP OF LEAD AND IS COINCIDENT WITH THE LEAD WHERE THE LEAD EXITS THE PLASTIC BODY AT THE TOP OF THE PARTING LINE.
4. DIMENSIONS "D" AND "E1" DO NOT INCLUDE MOLD PROTRUSION. ALLOWABLE PROTRUSION IS .006 (0.15) PER SIDE. DIMENSIONS "D" AND "E1" DO INCLUDE MOLD MISMATCH AND ARE DETERMINED AT DATUM PLANE -H-.
5. DIMENSIONS "b", "b1", "b2" AND "b3" DO NOT INCLUDE DAMBAR PROTRUSION. ALLOWABLE DAMBAR PROTRUSION SHALL BE .005 (0.13) TOTAL IN EXCESS OF THE "b", "b1", "b2" AND "b3" DIMENSIONS AT MAXIMUM MATERIAL CONDITION.
6. HATCHING REPRESENTS THE EXPOSED AREA OF THE HEAT SLUG. HATCHED AREA SHOWN IS ON THE SAME PLANE.
7. DIM A2 APPLIES WITHIN ZONE "J" ONLY.

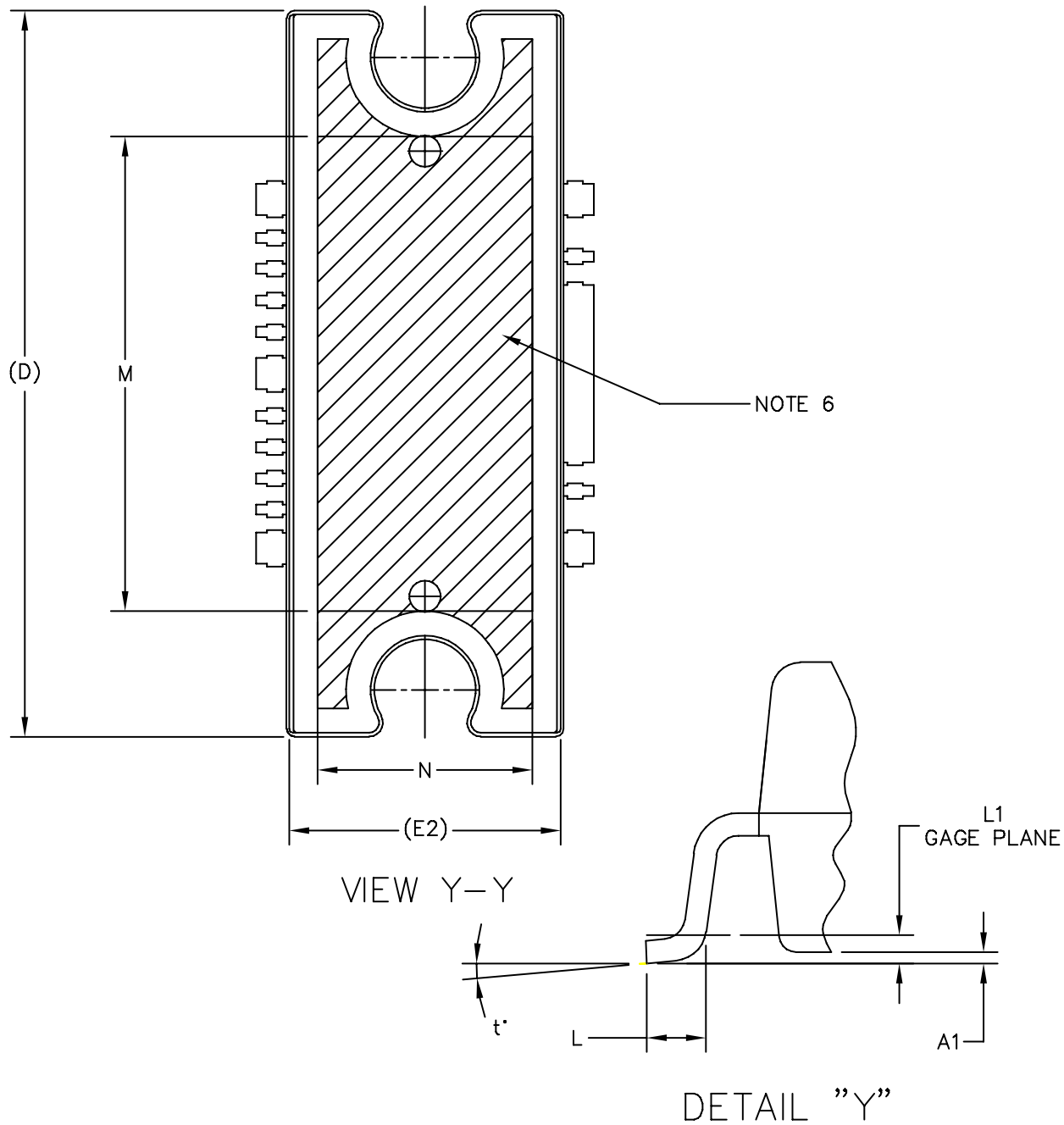
| DIM | INCH     |      | MILLIMETER |       | DIM | INCH     |      | MILLIMETER |      |
|-----|----------|------|------------|-------|-----|----------|------|------------|------|
|     | MIN      | MAX  | MIN        | MAX   |     | MIN      | MAX  | MIN        | MAX  |
| A   | .100     | .104 | 2.54       | 2.64  | b   | .011     | .017 | 0.28       | 0.43 |
| A1  | .038     | .044 | 0.96       | 1.12  | b1  | .037     | .043 | 0.94       | 1.09 |
| A2  | .040     | .042 | 1.02       | 1.07  | b2  | .037     | .043 | 0.94       | 1.09 |
| D   | .928     | .932 | 23.57      | 23.67 | b3  | .225     | .231 | 5.72       | 5.87 |
| D1  | .810 BSC |      | 20.57 BSC  |       | c1  | .007     | .011 | .18        | .28  |
| E   | .551     | .559 | 14.00      | 14.20 | e   | .054 BSC |      | 1.37 BSC   |      |
| E1  | .353     | .357 | 8.97       | 9.07  | e1  | .040 BSC |      | 1.02 BSC   |      |
| E2  | .346     | .350 | 8.79       | 8.89  | e2  | .224 BSC |      | 5.69 BSC   |      |
| F   | .025 BSC |      | 0.64 BSC   |       | e3  | .150 BSC |      | 3.81 BSC   |      |
| M   | .600     | ---- | 15.24      | ----  | r1  | .063     | .068 | 1.6        | 1.73 |
| N   | .270     | ---- | 6.86       | ----  | aaa | .004     |      | .10        |      |

|   |  |                           |  |                            |  |
|---|--|---------------------------|--|----------------------------|--|
| © FREESCALE SEMICONDUCTOR, INC.<br>ALL RIGHTS RESERVED. |  | <b>MECHANICAL OUTLINE</b> |  | PRINT VERSION NOT TO SCALE |  |
| TITLE:<br>TO-272 WIDE BODY<br>MULTI-LEAD                |  | DOCUMENT NO: 98ARH99164A  |  | REV: L                     |  |
|   |  | CASE NUMBER: 1329-09      |  | 13 MAR 2006                |  |
|   |  | STANDARD: NON-JEDEC       |  |                            |  |



|   |                           |                            |  |
|---|---------------------------|----------------------------|--|
| © FREESCALE SEMICONDUCTOR, INC.<br>ALL RIGHTS RESERVED. | <b>MECHANICAL OUTLINE</b> | PRINT VERSION NOT TO SCALE |  |
| TITLE: TO-272WB, 16 LEAD<br>GULL WING<br>PLASTIC        | DOCUMENT NO: 98ASA10532D  | REV: E                     |  |
|   | CASE NUMBER: 1329A-03     | 3 APR 2006                 |  |
|   | STANDARD: NON-JEDEC       |                            |  |

MWIC930R1 MWIC930GR1



|   |                           |                            |  |
|---|---------------------------|----------------------------|--|
| © FREESCALE SEMICONDUCTOR, INC.<br>ALL RIGHTS RESERVED. | <b>MECHANICAL OUTLINE</b> | PRINT VERSION NOT TO SCALE |  |
| TITLE: TO-272WB, 16 LEAD<br>GULL WING<br>PLASTIC        | DOCUMENT NO: 98ASA10532D  | REV: E                     |  |
|   | CASE NUMBER: 1329A-03     | 3 APR 2006                 |  |
|   | STANDARD: NON-JEDEC       |                            |  |

NOTES:

1. CONTROLLING DIMENSION: INCH
2. INTERPRET DIMENSIONS AND TOLERANCES PER ASME Y14.5M-1994.
3. DATUM PLANE -H- IS LOCATED AT THE TOP OF LEAD AND IS COINCIDENT WITH THE LEAD WHERE THE LEAD EXITS THE PLASTIC BODY AT THE TOP OF THE PARTING LINE.
4. DIMENSIONS "D" AND "E1" DO NOT INCLUDE MOLD PROTRUSION. ALLOWABLE PROTRUSION IS .006 (0.15) PER SIDE. DIMENSIONS "D" AND "E1" DO INCLUDE MOLD MISMATCH AND ARE DETERMINED AT DATUM PLANE -H-.
5. DIMENSIONS "b", "b1", "b2" AND "b3" DO NOT INCLUDE DAMBAR PROTRUSION. ALLOWABLE DAMBAR PROTRUSION SHALL BE .005 (0.13) TOTAL IN EXCESS OF THE "b", "b1", "b2" AND "b3" DIMENSIONS AT MAXIMUM MATERIAL CONDITION.
6. HATCHING REPRESENTS EXPOSED AREA OF THE HEAT SLUG. HATCHED AREA SHOWN IS ON THE SAME PLANE.

| DIM | INCH     |      | MILLIMETER |       | DIM | INCH     |      | MILLIMETER |      |
|-----|----------|------|------------|-------|-----|----------|------|------------|------|
|     | MIN      | MAX  | MIN        | MAX   |     | MIN      | MAX  | MIN        | MAX  |
| A   | .100     | .104 | 2.54       | 2.64  | b   | .011     | .017 | 0.28       | 0.43 |
| A1  | .001     | .004 | 0.02       | 0.10  | b1  | .037     | .043 | 0.94       | 1.09 |
| A2  | .099     | .110 | 2.51       | 2.79  | b2  | .037     | .043 | 0.94       | 1.09 |
| D   | .928     | .932 | 23.57      | 23.67 | b3  | .225     | .231 | 5.72       | 5.87 |
| D1  | .810 BSC |      | 20.57 BSC  |       | c1  | .007     | .011 | .18        | .28  |
| E   | .429     | .437 | 10.9       | 11.1  | e   | .054 BSC |      | 1.37 BSC   |      |
| E1  | .353     | .357 | 8.97       | 9.07  | e1  | .040 BSC |      | 1.02 BSC   |      |
| E2  | .346     | .350 | 8.79       | 8.89  | e2  | .224 BSC |      | 5.69 BSC   |      |
| L   | .018     | .024 | 4.90       | 5.06  | e3  | .150 BSC |      | 3.81 BSC   |      |
| L1  | .01 BSC  |      | .025 BSC   |       | r1  | .063     | .068 | 1.6        | 1.73 |
| M   | .600     | ---- | 15.24      | ----  | t   | 2'       | 8'   | 2'         | 8'   |
| N   | .270     | ---- | 6.86       | ----  | aaa | .004     |      | .10        |      |

|   |  |                           |                          |                            |            |
|---|--|---------------------------|--------------------------|----------------------------|------------|
| © FREESCALE SEMICONDUCTOR, INC.<br>ALL RIGHTS RESERVED. |  | <b>MECHANICAL OUTLINE</b> |                          | PRINT VERSION NOT TO SCALE |            |
| TITLE: TO-272WB, 16 LEAD<br>GULL WING<br>PLASTIC        |  |                           | DOCUMENT NO: 98ASA10532D |                            | REV: E     |
|   |  |                           | CASE NUMBER: 1329A-03    |                            | 3 APR 2006 |
|   |  |                           | STANDARD: NON-JEDEC      |                            |            |

## **How to Reach Us:**

### **Home Page:**

[www.freescale.com](http://www.freescale.com)

### **E-mail:**

[support@freescale.com](mailto:support@freescale.com)

### **USA/Europe or Locations Not Listed:**

Freescale Semiconductor  
Technical Information Center, CH370  
1300 N. Alma School Road  
Chandler, Arizona 85224  
+1-800-521-6274 or +1-480-768-2130  
[support@freescale.com](mailto:support@freescale.com)

### **Europe, Middle East, and Africa:**

Freescale Halbleiter Deutschland GmbH  
Technical Information Center  
Schatzbogen 7  
81829 Muenchen, Germany  
+44 1296 380 456 (English)  
+46 8 52200080 (English)  
+49 89 92103 559 (German)  
+33 1 69 35 48 48 (French)  
[support@freescale.com](mailto:support@freescale.com)

### **Japan:**

Freescale Semiconductor Japan Ltd.  
Headquarters  
ARCO Tower 15F  
1-8-1, Shimo-Meguro, Meguro-ku,  
Tokyo 153-0064  
Japan  
0120 191014 or +81 3 5437 9125  
[support.japan@freescale.com](mailto:support.japan@freescale.com)

### **Asia/Pacific:**

Freescale Semiconductor Hong Kong Ltd.  
Technical Information Center  
2 Dai King Street  
Tai Po Industrial Estate  
Tai Po, N.T., Hong Kong  
+800 2666 8080  
[support.asia@freescale.com](mailto:support.asia@freescale.com)

### **For Literature Requests Only:**

Freescale Semiconductor Literature Distribution Center  
P.O. Box 5405  
Denver, Colorado 80217  
1-800-441-2447 or 303-675-2140  
Fax: 303-675-2150  
[LDCForFreescaleSemiconductor@hibbertgroup.com](mailto:LDCForFreescaleSemiconductor@hibbertgroup.com)

Information in this document is provided solely to enable system and software implementers to use Freescale Semiconductor products. There are no express or implied copyright licenses granted hereunder to design or fabricate any integrated circuits or integrated circuits based on the information in this document.

Freescale Semiconductor reserves the right to make changes without further notice to any products herein. Freescale Semiconductor makes no warranty, representation or guarantee regarding the suitability of its products for any particular purpose, nor does Freescale Semiconductor assume any liability arising out of the application or use of any product or circuit, and specifically disclaims any and all liability, including without limitation consequential or incidental damages. "Typical" parameters that may be provided in Freescale Semiconductor data sheets and/or specifications can and do vary in different applications and actual performance may vary over time. All operating parameters, including "Typicals", must be validated for each customer application by customer's technical experts. Freescale Semiconductor does not convey any license under its patent rights nor the rights of others. Freescale Semiconductor products are not designed, intended, or authorized for use as components in systems intended for surgical implant into the body, or other applications intended to support or sustain life, or for any other application in which the failure of the Freescale Semiconductor product could create a situation where personal injury or death may occur. Should Buyer purchase or use Freescale Semiconductor products for any such unintended or unauthorized application, Buyer shall indemnify and hold Freescale Semiconductor and its officers, employees, subsidiaries, affiliates, and distributors harmless against all claims, costs, damages, and expenses, and reasonable attorney fees arising out of, directly or indirectly, any claim of personal injury or death associated with such unintended or unauthorized use, even if such claim alleges that Freescale Semiconductor was negligent regarding the design or manufacture of the part.

Freescale™ and the Freescale logo are trademarks of Freescale Semiconductor, Inc. All other product or service names are the property of their respective owners.  
© Freescale Semiconductor, Inc. 2006. All rights reserved.

RoHS-compliant and/or Pb-free versions of Freescale products have the functionality and electrical characteristics of their non-RoHS-compliant and/or non-Pb-free counterparts. For further information, see <http://www.freescale.com> or contact your Freescale sales representative.

For information on Freescale's Environmental Products program, go to <http://www.freescale.com/epp>.

