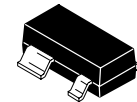


**The MRFIC Line**  
**General Purpose**  
**RF Cascode Amplifier**

**MRFIC0915**

**100 to 2500 MHz**  
**SILICON GENERAL PURPOSE**  
**RF CASCODE AMPLIFIER**



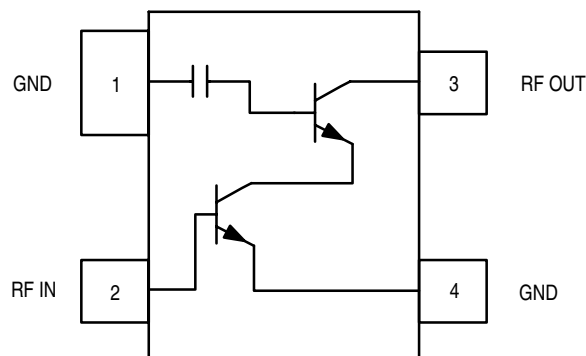
**CASE 318A-05**  
**(SOT-143)**

The MRFIC0915 is a cost-effective, high isolation cascode silicon monolithic amplifier in the industry standard SOT-143 surface mount package designed for general purpose RF applications. The device is a lower current version of the MRFIC0916 and is appropriate for VCOs, VCO buffers and amplifiers. On-chip bias circuitry sets the bias point while matching is accomplished off chip affording the maximum in application flexibility.

- Usable Frequency Range = 100 to 2500 MHz
- Good Small Signal Gain at  $V_{CC} = 2.7$  Volts
  - 16.2 dB Typ at 850 MHz
  - 9.6 dB Typ at 1800 MHz
  - 5.8 dB Typ at 2400 MHz
- -4.6 dBm typical Output Power at 1 dB Gain Compression at 850 MHz,  $V_{CC} = 2.7$  Volts
- 38 dB Typical Reverse Isolation at 850 MHz
- 2.5 mA Max Bias Current at  $V_{CC} = 2.7$  Volts
- 2.7 to 5 Volt Supply
- Order MRFIC0915T1 for Tape and Reel.  
 T1 Suffix = 3.000 Units per 8 mm, 7 inch Reel.
- Device Marking = 22

**MAXIMUM RATINGS** ( $T_A = 25^\circ\text{C}$  unless otherwise noted)

Rating	Symbol	Limit	Unit
Supply Voltage	$V_{CC}$	6	Vdc
RF Input Power	$P_{RF}$	10	dBm
Power Dissipation	$P_{DIS}$	100	mW
Supply Current	$I_{CC}$	10	mA
Thermal Resistance, Junction to Case	$R_{\theta JC}$	250	$^\circ\text{C/W}$
Storage Temperature Range	$T_{stg}$	- 65 to +150	$^\circ\text{C}$
Operating Case Temperature	$T_C$	- 40 to +100	$^\circ\text{C}$



**Pin Connections and Functional Block Diagram**

Freescale Semiconductor, Inc.  
 DEVICE ON LIFETIME BUY

LAST SHIP 27DEC02  
 LAST ORDER 15JAN02

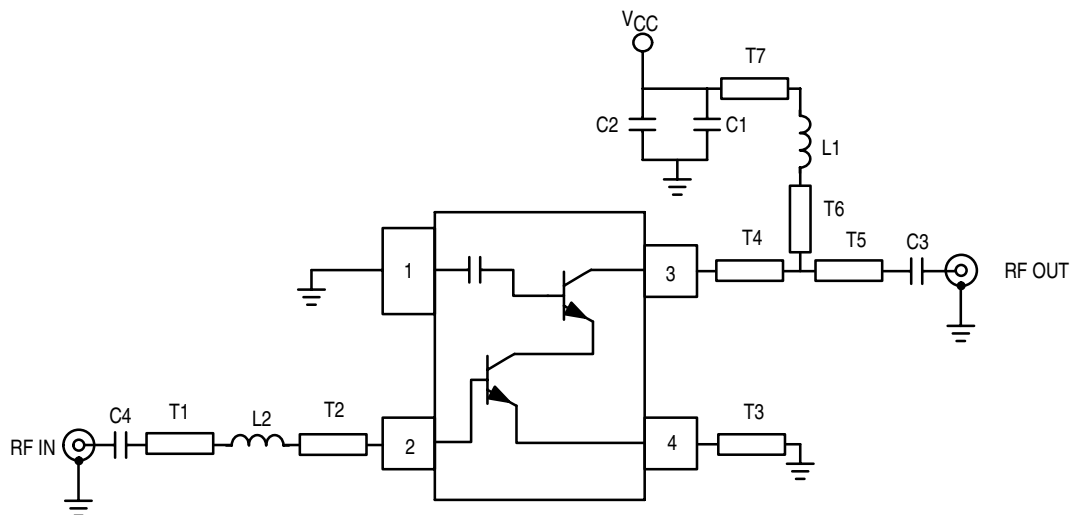
# Freescale Semiconductor, Inc.

## RECOMMENDED OPERATING RANGES

Parameter	Symbol	Value	Unit
RF Frequency	$f_{RF}$	100 to 2500	MHz
Supply Voltage	$V_{CC}$	2.7 to 5	Vdc

## ELECTRICAL CHARACTERISTICS ( $V_{CC} = 2.7$ V, $T_A = 25^\circ\text{C}$ )

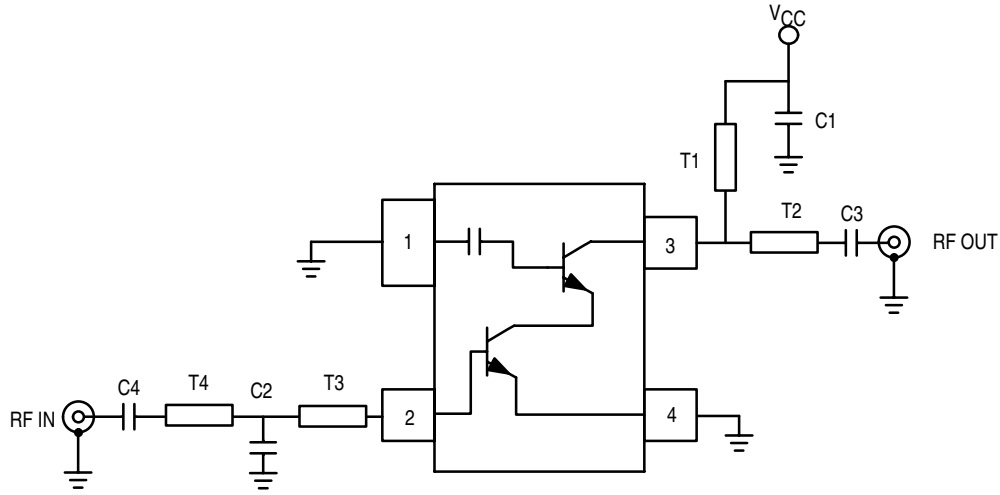
Characteristic	Min	Typ	Max	Unit
Small Signal Gain				
850 MHz	14.2	16.2	—	dB
1800 MHz	7.4	9.6	—	dB
2400 MHz	5	5.8	—	dB
Noise Figure				
850	—	1.9	—	dB
1800 MHz	—	3.6	—	dB
2400 MHz	—	5.5	—	dB
Power Output at 1dB Gain Compression				
850 MHz	—	-4.6	—	dBm
1800 MHz	—	-7.8	—	dBm
2400 MHz	—	-9.8	—	dBm
Output 3rd Order Intercept Point				
850 MHz	—	4	—	dBm
1800 MHz	—	1	—	dBm
2400 MHz	—	-1	—	dBm
Reverse Isolation				
850 MHz	—	38	—	dB
1800 MHz	—	33	—	dB
2400 MHz	—	29	—	dB
Supply Current	1.5	2.0	2.5	mA



C1	10 pF, NPO/COG	T1	50 $\Omega$ MICROSTRIP, 0.13"
C2	0.01 $\mu\text{F}$	T2	76 $\Omega$ MICROSTRIP, 0.072"
C3	1.4 pF, NPO/COG	T3	100 $\Omega$ MICROSTRIP, 0.035"
C4	12 pF, NPO/COG	T4	50 $\Omega$ MICROSTRIP, 0.048"
L1	8.2 nH	T5	50 $\Omega$ MICROSTRIP, 0.08"
L2	10 nH	T6	76 $\Omega$ MICROSTRIP, 0.062"
		T7	76 $\Omega$ MICROSTRIP, 0.07"

BOARD MATERIAL: FR4,  $\epsilon_r = 4.45$ , THICKNESS = 0.014"

Figure 1. 850 MHz Applications Circuit Configuration



1.8 GHz DESCRIPTION

C1	18 pF, NPO/COG
C2	1.0 pF, NPO/COG
C3	0.9 pF, NPO/COG
C4	10 pF, NPO/COG
T1	50 Ω MICROSTRIP, 0.41"
T2	50 Ω MICROSTRIP, 0.076"
T3	50 Ω MICROSTRIP, 0.528"
T7	N/A

2.4 GHz DESCRIPTION

C1	12 pF, NPO/COG
C2	1.2 pF, NPO/COG
C3	0.7 pF, NPO/COG
C4	10 pF, NPO/COG
T1	50 Ω MICROSTRIP, 0.228"
T2	50 Ω MICROSTRIP, 0.076"
T3	50 Ω MICROSTRIP, 0.229"
T4	50 Ω MICROSTRIP, 0.345"

BOARD MATERIAL: FR4,  $\epsilon_r = 4.45$ , THICKNESS = 0.014"

Figure 2. 1800 and 2400 MHz Applications Circuit Configuration

# Freescale Semiconductor, Inc.

## TYPICAL CHARACTERISTICS

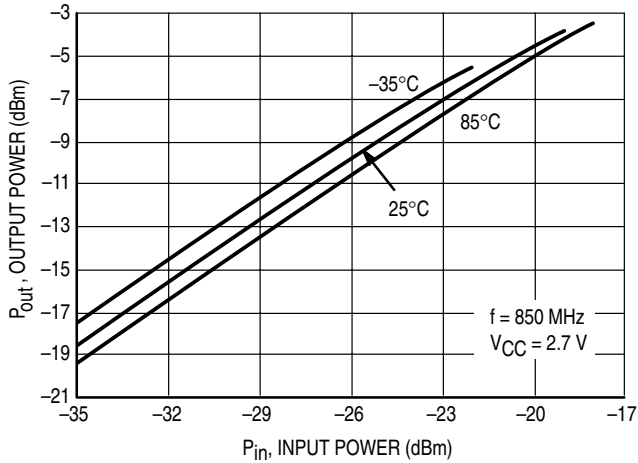


Figure 3. Output Power versus Input Power

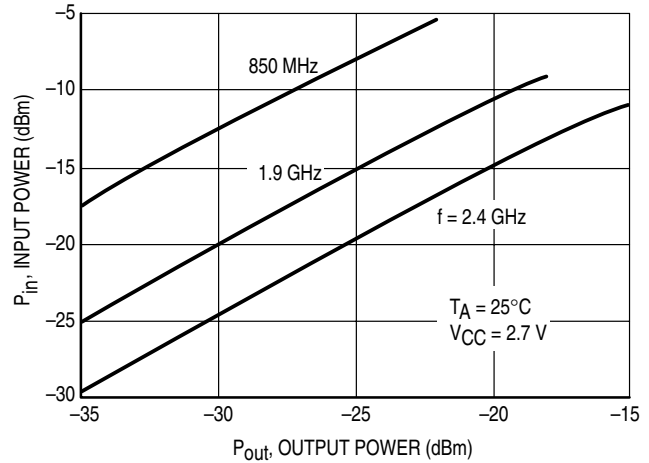


Figure 4. Output Power versus Input Power

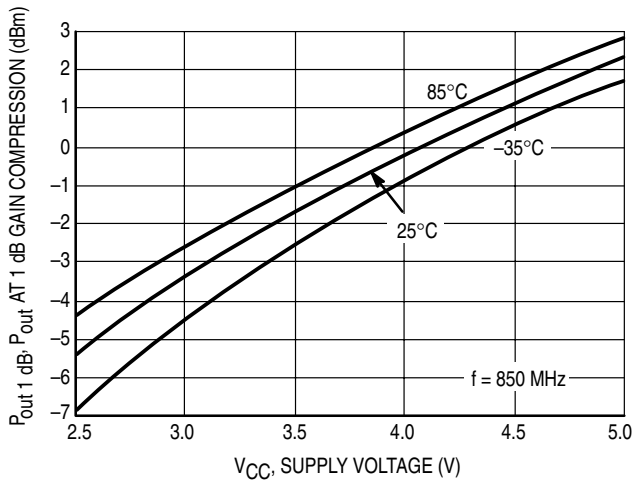


Figure 5. Output Power at 1 dB Gain Compression versus Supply Voltage

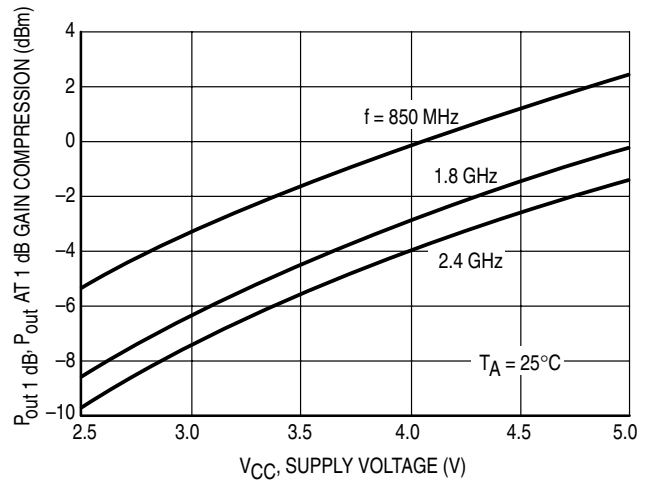


Figure 6. Output Power at 1 dB Gain Compression versus Supply Voltage

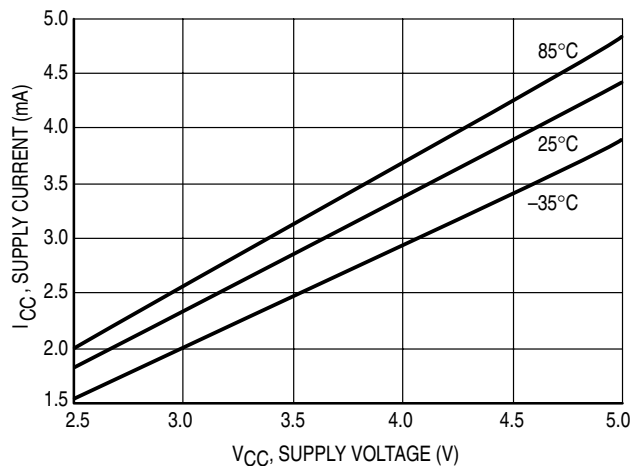


Figure 7. Supply Current versus Supply Voltage

Freescale Semiconductor, Inc. BUY DEVICE ON LIFE TIME

LAST ORDER 15JAN02 LAST SHIP 27DEC02

# Freescale Semiconductor, Inc.

f MHz	S <sub>11</sub>		S <sub>21</sub>		S <sub>12</sub>		S <sub>22</sub>	
	S <sub>11</sub>	∠φ	S <sub>21</sub>	∠φ	S <sub>12</sub>	∠φ	S <sub>22</sub>	∠φ
100	0.91	-11	5.72	168	0.000	53	0.97	-3
200	0.90	-22	5.50	156	0.001	85	0.97	-7
300	0.86	-32	5.32	145	0.002	80	0.96	-10
400	0.82	-42	5.00	134	0.002	74	0.95	-13
500	0.75	-52	4.72	122	0.002	69	0.94	-16
600	0.70	-60	4.35	113	0.002	67	0.92	-18
700	0.66	-68	4.05	105	0.003	66	0.91	-21
800	0.63	-75	3.65	97	0.003	67	0.90	-24
900	0.57	-83	3.52	89	0.002	69	0.89	-26
1000	0.54	-90	3.28	82	0.002	73	0.87	-29
1100	0.50	-96	3.05	75	0.002	78	0.86	-32
1200	0.48	-103	2.81	69	0.002	92	0.85	-34
1300	0.45	-109	2.71	62	0.002	108	0.84	-37
1400	0.43	-114	2.53	56	0.002	129	0.83	-40
1500	0.41	-120	2.37	51	0.002	147	0.81	-42
1600	0.39	-125	2.28	45	0.003	160	0.80	-45
1700	0.38	-132	2.12	39	0.004	167	0.79	-48
1800	0.37	-137	2.00	34	0.005	113	0.78	-51
1900	0.36	-141	1.88	28	0.006	116	0.77	-53
2000	0.35	-146	1.78	23	0.008	-2	0.76	-56
2100	0.34	-150	1.71	18	0.010	-61	0.75	-59
2200	0.33	-155	1.65	12	0.012	-120	0.74	-62
2300	0.34	-159	1.51	7	0.013	-120	0.73	-65
2400	0.33	-161	1.51	2	0.016	-61	0.72	-69
2500	0.34	-167	1.39	-5	0.019	58	0.71	-73
2600	0.34	-171	1.32	-10	0.022	176	0.70	-77
2700	0.34	-173	1.26	-15	0.025	175	0.69	-80
2800	0.34	-176	1.20	-20	0.028	174	0.68	-83
2900	0.34	-119	1.14	-25	0.032	172	0.67	-86
3000	0.34	118	1.09	-30	0.036	170	0.66	-90

Table 1. S-Parameters (V<sub>CC</sub> = 2.7 V, 50 Ω System)

Freescale Semiconductor, Inc.  
DEVICE ON LIFETIME BUY

LAST ORDER 15JAN02 LAST SHIP 27DEC02

# Freescale Semiconductor, Inc.

f MHz	S <sub>11</sub>		S <sub>21</sub>		S <sub>12</sub>		S <sub>22</sub>	
	S <sub>11</sub>	∠φ	S <sub>21</sub>	∠φ	S <sub>12</sub>	∠φ	S <sub>22</sub>	∠φ
100	0.88	-12	8.65	167	0.001	48	0.97	-3
200	0.85	-23	8.23	154	0.001	93	0.97	-6
300	0.80	-34	7.73	142	0.002	82	0.96	-10
400	0.75	-44	7.15	131	0.002	73	0.95	-12
500	0.67	-53	6.56	119	0.002	68	0.93	-15
600	0.62	-60	5.99	111	0.002	66	0.92	-18
700	0.57	-67	5.47	102	0.002	63	0.91	-21
800	0.53	-74	5.02	95	0.002	65	0.90	-23
900	0.48	-80	4.67	88	0.002	66	0.88	-26
1000	0.44	-86	4.31	81	0.002	69	0.87	-29
1100	0.41	-92	3.98	75	0.001	79	0.86	-31
1200	0.38	-97	3.71	69	0.001	101	0.85	-34
1300	0.36	-102	3.49	63	0.001	139	0.84	-36
1400	0.34	-107	3.26	58	0.002	102	0.82	-39
1500	0.32	-111	3.07	53	0.003	-4	0.81	-42
1600	0.30	-116	2.89	49	0.004	-119	0.80	-44
1700	0.29	-122	2.72	43	0.005	-115	0.79	-47
1800	0.28	-126	2.56	38	0.007	-113	0.78	-50
1900	0.28	-130	2.42	33	0.008	-113	0.77	-53
2000	0.27	-134	2.30	29	0.010	-112	0.76	-55
2100	0.26	-137	2.20	24	0.012	-113	0.75	-58
2200	0.25	-141	2.08	19	0.014	-114	0.74	-61
2300	0.26	-146	1.98	14	0.017	-115	0.73	-64
2400	0.25	-147	1.90	10	0.019	-117	0.72	-68
2500	0.26	-153	1.79	5	0.022	-119	0.71	-72
2600	0.26	-157	1.71	0	0.025	59	0.70	-75
2700	0.27	-159	1.63	-5	0.028	177	0.69	-78
2800	0.27	-162	1.55	-9	0.032	175	0.68	-81
2900	0.27	-164	1.48	-14	0.036	173	0.67	-85
3000	0.27	-167	1.41	-18	0.040	171	0.66	-88

Table 2. S-Parameters (V<sub>CC</sub> = 4.0 V, 50 Ω System)

Freescale Semiconductor, Inc. BUY

LAST ORDER 15JAN02 LAST SHIP 27DEC02

# Freescale Semiconductor, Inc.

f MHz	S <sub>11</sub>		S <sub>21</sub>		S <sub>12</sub>		S <sub>22</sub>	
	S <sub>11</sub>	∠φ	S <sub>21</sub>	∠φ	S <sub>12</sub>	∠φ	S <sub>22</sub>	∠φ
100	0.85	-12	11.04	166	0.00	39	0.97	-3
200	0.82	-24	10.44	152	0.00	94	0.97	-6
300	0.77	-35	9.79	140	0.00	82	0.96	-9
400	0.70	-44	8.95	128	0.00	74	0.96	-12
500	0.62	-53	8.16	117	0.00	69	0.94	-15
600	0.57	-59	7.34	109	0.00	64	0.93	-18
700	0.52	-66	6.70	100	0.00	63	0.92	-20
800	0.48	-72	6.02	93	0.00	65	0.90	-23
900	0.43	-77	5.58	86	0.00	68	0.89	-26
1000	0.39	-82	5.11	80	0.00	71	0.88	-28
1100	0.36	-87	4.71	75	0.00	81	0.87	-31
1200	0.34	-92	4.33	69	0.00	114	0.86	-33
1300	0.32	-95	4.08	63	0.00	152	0.84	-36
1400	0.30	-99	3.80	59	0.00	114	0.83	-38
1500	0.28	-104	3.54	54	0.00	-118	0.82	-41
1600	0.26	-108	3.35	49	0.00	-114	0.81	-44
1700	0.25	-113	3.13	44	0.01	-111	0.80	-47
1800	0.25	-117	2.96	40	0.01	-110	0.79	-49
1900	0.24	-120	2.79	35	0.01	-111	0.78	-52
2000	0.23	-123	2.64	31	0.01	-111	0.77	-55
2100	0.22	-126	2.52	26	0.01	-112	0.76	-58
2200	0.22	-130	2.40	22	0.01	-114	0.75	-61
2300	0.23	-135	2.25	18	0.02	-115	0.74	-64
2400	0.23	-136	2.19	13	0.02	-117	0.73	-67
2500	0.23	-142	2.05	8	0.02	-119	0.72	-71
2600	0.23	-146	1.96	4	0.02	-1	0.71	-74
2700	0.24	-149	1.87	0	0.03	177	0.70	-77
2800	0.24	-151	1.78	-4	0.03	175	0.69	-80
2900	0.25	-153	1.70	-9	0.03	173	0.68	-84
3000	0.25	-156	1.62	-13	0.04	171	0.68	-87

Table 3. S-Parameters (V<sub>CC</sub> = 5.0 V, 50 Ω System)

Freescale Semiconductor, Inc.  
DEVICE ON LIFETIME BUY

LAST ORDER 15JAN02 LAST SHIP 27DEC02

# Freescale Semiconductor, Inc.

VCC (Volts)	f (GHz)	NFmin (dB)	$\Gamma_0$		RN ( $\Omega$ )
			MAG	$\angle \phi$	
2.7	0.30	1.26	0.47	18	0.47
	0.50	1.48	0.42	29	0.44
	0.70	1.71	0.38	41	0.42
	0.90	1.96	0.34	53	0.41
	1.00	2.09	0.33	60	0.40
	1.50	2.82	0.27	94	0.38
	2.00	3.67	0.25	132	0.36
	2.40	4.43	0.25	165	0.36
4.0	0.30	1.27	0.37	18	0.37
	0.50	1.41	0.33	29	0.35
	0.70	1.56	0.30	40	0.33
	0.90	1.73	0.27	52	0.32
	1.00	1.82	0.25	59	0.31
	1.50	2.32	0.21	93	0.30
	2.00	2.91	0.20	133	0.29
	2.40	3.44	0.21	168	0.29
4.5	0.30	1.41	0.38	18	0.40
	0.50	1.53	0.34	26	0.38
	0.70	1.67	0.31	36	0.37
	0.90	1.83	0.27	46	0.36
	1.00	1.92	0.26	52	0.35
	1.50	2.42	0.20	85	0.33
	2.00	3.03	0.17	126	0.32
	2.40	3.61	0.16	165	0.34
5.0	0.30	1.36	0.33	18	0.35
	0.50	1.47	0.29	28	0.33
	0.70	1.60	0.26	40	0.32
	0.90	1.74	0.24	52	0.31
	1.00	1.82	0.22	58	0.30
	1.50	2.25	0.18	93	0.29
	2.00	2.78	0.17	133	0.28
	2.40	3.27	0.18	170	0.29

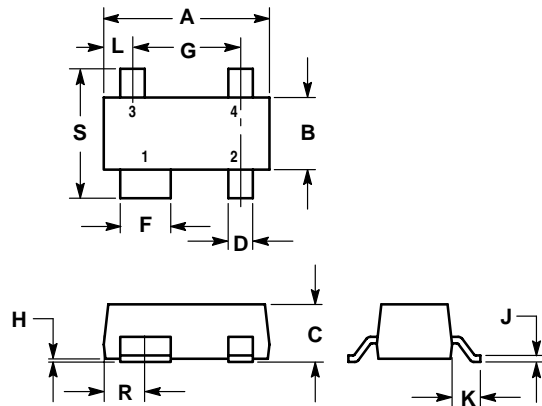
Table 4. Typical Noise Parameters (50  $\Omega$  System)

Freescale Semiconductor, Inc. BUY

LAST ORDER 15JAN02 LAST SHIP 27DEC02

# Freescale Semiconductor, Inc.

## PACKAGE DIMENSIONS



- NOTES:  
 1. DIMENSIONING AND TOLERANCING PER ANSI Y14.5M, 1982.  
 2. CONTROLLING DIMENSION: MILLIMETER.

DIM	MILLIMETERS		INCHES	
	MIN	MAX	MIN	MAX
A	2.80	3.04	0.110	0.120
B	1.20	1.39	0.047	0.055
C	0.84	1.14	0.033	0.045
D	0.39	0.50	0.015	0.020
F	0.79	0.93	0.031	0.037
G	1.78	2.03	0.070	0.080
H	0.013	0.10	0.0005	0.004
J	0.08	0.15	0.003	0.006
K	0.46	0.60	0.018	0.024
L	0.445	0.60	0.0175	0.024
R	0.72	0.83	0.028	0.033
S	2.11	2.48	0.083	0.098


CASE 318A-05  
 ISSUE R

Freescale Semiconductor, Inc.  
 DEVICE ON LIFETIME BUY

LAST ORDER 15JAN02 LAST SHIP 27DEC02

**Freescale Semiconductor, Inc. BUY**  
**DEVICE ON LIFE TIME**

**LAST ORDER 15JAN02 LAST SHIP 27DEC02**

Motorola reserves the right to make changes without further notice to any products herein. Motorola makes no warranty, representation or guarantee regarding the suitability of its products for any particular purpose, nor does Motorola assume any liability arising out of the application or use of any product or circuit, and specifically disclaims any and all liability, including without limitation consequential or incidental damages. "Typical" parameters which may be provided in Motorola data sheets and/or specifications can and do vary in different applications and actual performance may vary over time. All operating parameters, including "Typicals" must be validated for each customer application by customer's technical experts. Motorola does not convey any license under its patent rights nor the rights of others. Motorola products are not designed, intended, or authorized for use as components in systems intended for surgical implant into the body, or other applications intended to support or sustain life, or for any other application in which the failure of the Motorola product could create a situation where personal injury or death may occur. Should Buyer purchase or use Motorola products for any such unintended or unauthorized application, Buyer shall indemnify and hold Motorola and its officers, employees, subsidiaries, affiliates, and distributors harmless against all claims, costs, damages, and expenses, and reasonable attorney fees arising out of, directly or indirectly, any claim of personal injury or death associated with such unintended or unauthorized use, even if such claim alleges that Motorola was negligent regarding the design or manufacture of the part. Motorola and  are registered trademarks of Motorola, Inc. Motorola, Inc. is an Equal Opportunity/Affirmative Action Employer.

Mfax is a trademark of Motorola, Inc.

**How to reach us:**

**USA/EUROPE/Locations Not Listed:** Motorola Literature Distribution;  
P.O. Box 5405, Denver, Colorado 80217. 1-303-675-2140 or 1-800-441-2447

**JAPAN:** Motorola Japan Ltd.; SPD, Strategic Planning Office, 141,  
4-32-1 Nishi-Gotanda, Shinagawa-ku, Tokyo, Japan. 81-3-5487-8488

**Customer Focus Center: 1-800-521-6274**

**Mfax™:** RMFAX0@email.sps.mot.com – TOUCHTONE 1-602-244-6609  
Motorola Fax Back System – US & Canada ONLY 1-800-774-1848  
–http://sps.motorola.com/mfax/

**ASIA/PACIFIC:** Motorola Semiconductors H.K. Ltd.; 8B Tai Ping Industrial Park,  
51 Ting Kok Road, Tai Po, N.T., Hong Kong. 852-26629298

**HOME PAGE:** <http://motorola.com/sps/>



**For More Information On This Product,  
Go to: [www.freescale.com](http://www.freescale.com)**

**MRFIC0915/D**