

PRELIMINARY DATA SHEET

SKY65373-11: 1.710-1.785 GHz High Linearity, Active Bias Low-Noise Variable Gain Amplifier

Applications

- LTE, WCDMA Infrastructure
- Low noise, high linearity systems

Features

- Fully integrated low-noise front end
- High gain: 35 dB
- Excellent return loss: >20 dB
- High linearity gain control > 35 dB
- Low NF: 1.0 dB
- Switchable high/low gain state modes
- Temperature and process stable active bias
- Small MCM (16-pin, 8 x 8 mm) package (MSL3 @ 260 °C per JEDEC J-STD-020)



Skyworks Green™ products are compliant with all applicable legislation and are halogen-free. For additional information, refer to Skyworks Definition of Green™, document number SQ04-0074.

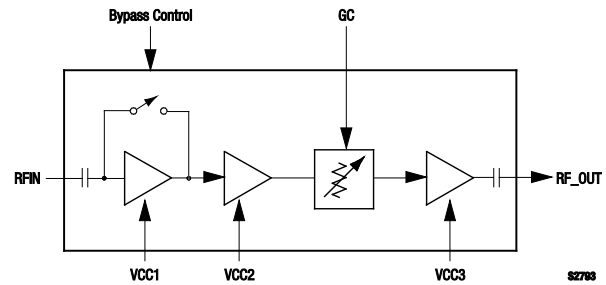


Figure 1. SKY65373-11 Block Diagram

Description

The SKY65373-11 is variable gain Low-Noise Amplifier (LNA) with an active bias and high linearity performance. The first stage of the device is comprised of an LNA with a bypass switch that is followed by a high linearity driver amplifier, a variable voltage attenuator, and a high linearity power amplifier. This module architecture provides excellent return loss, low noise, and high linearity performance.

The internal active bias circuitry ensures repeatable performance over temperature. The device is fully integrated and requires minimal external components.

The SKY65373-11 is manufactured in a compact, 8 x 8 mm, 16-pin Multi-Chip Module (MCM) package. A functional block diagram is shown in Figure 1. The pin configuration and package are shown in Figure 2. Signal pin assignments and functional pin descriptions are provided in Table 1.

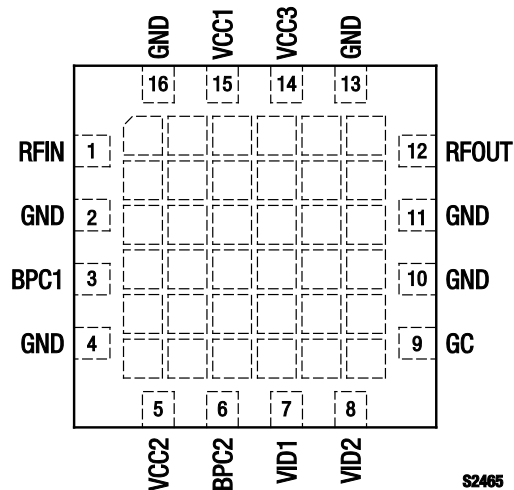


Figure 2. SKY65373-11 Pinout – 16-Pin MCM (Top View)

Table 1. SKY65373-11 Signal Descriptions

Pin #	Name	Description	Pin #	Name	Description
1	RFIN	RF input. No blocking capacitor required.	9	GC	Gain control, 0 V (maximum gain) to +3.3 V (minimum gain) DC.
2	GND	Ground	10	GND	Ground
3	BPC1	Bypass switch for high/low gain state, terminal 1. See Table 7.	11	GND	Ground
4	GND	Ground	12	RFOUT	RF output. No blocking capacitor required.
5	VCC2	Second state amplifier bias. Connect to +5 V, 120 mA minimum DC supply.	13	GND	Ground
6	BPC2	Bypass switch for high/low gain state, terminal 2. See Table 7.	14	VCC3	Third stage amplifier bias. Connect to +5 V, 120 mA minimum DC supply.
7	VID1	Vendor identification. Short circuit typical.	15	VCC1	First stage amplifier bias. Connect to +5 V, 120 mA minimum DC supply.
8	VID2	Vendor identification. Open circuit typical.	16	GND	Ground

Table 2. SKY65373-11 Absolute Maximum Ratings

Parameter	Symbol	Minimum	Maximum	Units
Supply voltage	V _{CC}		5.5	V
RF input power	P _{IN}		+15	dBm
Storage temperature	T _{STG}	-55	+150	°C
Operating temperature	T _A	-40	+100	°C
Junction temperature	T _J		+150	°C

Note: Exposure to maximum rating conditions for extended periods may reduce device reliability. There is no damage to device with only one parameter set at the limit and all other parameters set at or below their nominal value. Exceeding any of the limits listed here may result in permanent damage to the device.

CAUTION: Although this device is designed to be as robust as possible, Electrostatic Discharge (ESD) can damage this device. This device must be protected at all times from ESD. Static charges may easily produce potentials of several kilovolts on the human body or equipment, which can discharge without detection. Industry-standard ESD precautions should be used at all times.

Electrical and Mechanical Specifications

The absolute maximum ratings of the SKY65373-11 are provided in Table 2. Electrical specifications are provided in Tables 3 through 6. The gain control logic is shown in Table 7.

Table 3. SKY65373-11 Electrical Specifications (Note 1)**(V_{DD} = 5.0 V, T_A = -40 = +25 = +65 °C, P_{IN} = -25 dBm, f = 1.710 to 1.785 GHz, Characteristic Impedance [Z₀] = 50 Ω, Unless Otherwise Noted)**

Parameter	Symbol	Test Condition	Min	Typical	Max	Units
RF Specifications						
Noise Figure (Note 2)	NF	Gain = +35 dB		1.00	1.15	dB
Small signal gain	IS21I	P _{IN} = -25 dBm		35	37	dB
Gain variation		P _{IN} = -25 dBm		0.55	0.80	dB
Gain control range: High Low		P _{IN} = -25 dBm	16 1		37 20	dB dB
Gain repeatability, part to part		P _{IN} = -25 dBm @ +25 °C @ -40 to +65 °C			±1.0 ±0.5	dB dB
Input return loss	IS11I	P _{IN} = -25 dBm	15	20		dB
Output return loss	IS22I	P _{IN} = -25 dBm		16		dB
Reverse isolation	IS12I	P _{IN} = -25 dBm	50	55		dB
3 rd Order Input Intercept Point (Note 3)	IIP3	Δf = 1 MHz, P _{IN} = -25 dBm/tone, gain = +35 dB	+1	+3		dBm
1 dB Input Compression Point (Note 4)	IP1dB	Gain = +35 dB	-14	-11		dBm
DC Specifications						
Supply voltage (VCC1, VCC2, VCC3)	V _{CC}			5.0	5.3	V
Quiescent supply current	I _{CC}	VCC1, VCC2, VCC3 = +5 V		390	430	mA
Gain control voltage	V _{GC}	+3 to +35 dB minimum gain range (0 V max gain)	0		+3.3	V
Bypass control voltage: High Low	V _{BPC1} V _{BPC2}	Switch control voltage for low/high gain bypass mode	2.6 0	3.3	5.0 0.5	V V

Note 1: Performance is guaranteed only under the conditions listed in this Table.**Note 2:** Loss from the input SMA connector and Evaluation Board up to pin 1 has been de-embedded from the NF measurement. See Table 4 for full specification.**Note 3:** See Table 5 for full specification.**Note 4:** See Table 6 for full specification.

Table 4. SKY65373-11 Electrical Specifications: Noise Figure (Note 1)

(VDD = 5.0 V, TA = -40 = +25 = +65 °C, PIN = -25 dBm, f = 1.710 to 1.785 GHz, Characteristic Impedance [Zo] = 50 Ω, Unless Otherwise Noted)

Parameter	Symbol	Test Condition	Min	Typical	Max	Units
Noise Figure	NF	Gain = 3 to 6 dB			22.80	dB
		Gain = 7 to 8 dB			20.80	dB
		Gain = 9 to 10 dB			18.80	dB
		Gain = 11 to 12 dB			16.80	dB
		Gain = 13 to 14 dB			14.80	dB
		Gain = 15 to 16 dB			12.80	dB
		Gain = 17 to 18 dB			10.80	dB
		Gain = 19 to 20 dB			8.80	dB
		Gain = 21 to 22 dB			7.30	dB
		Gain = 23 to 24 dB			5.30	dB
		Gain = 25 to 26 dB			3.50	dB
		Gain = 27 to 28 dB			2.40	dB
		Gain = 29 to 30 dB			2.10	dB
		Gain = 31 to 32 dB			1.60	dB
Gain = 33 to 34 dB			1.35	dB		
Gain = 35 dB			1.15	dB		

Note 1: Performance is guaranteed only under the conditions listed in this Table.

Table 5. SKY65373-11 Electrical Specifications: IIP3 (Note 1)

(VDD = 5.0 V, TA = -40 = +25 = +65 °C, PIN = -25 dBm/Tone, f = 1.710 to 1.785 GHz, Δf = 1 MHz Characteristic Impedance [Zo] = 50 Ω, Unless Otherwise Noted)

Parameter	Symbol	Test Condition	Min	Typical	Max	Units
3 rd Order Input Intercept Point	IIP3	Gain = 30 to 35 dB	+1			dBm
		Gain = 18 to 29 dB	+3			dBm
		Gain = 12 to 17 dB	+14			dBm
		Gain = 3 to 11 dB	+18			dBm

Note 1: Performance is guaranteed only under the conditions listed in this Table.

Table 6. SKY65373-11 Electrical Specifications: IP1dB (Note 1)

(VDD = 5.0 V, TA = -40 = +25 = +65 °C, PIN = -25 dBm, f = 1.710 to 1.785 GHz, Characteristic Impedance [Zo] = 50 Ω, Unless Otherwise Noted)

Parameter	Symbol	Test Condition	Min	Typical	Max	Units
1 dB Input Compression Point	IP1dB	Gain = 30 to 35 dB	-14.0			dBm
		Gain = 18 to 29 dB	-7.0			dBm
		Gain = 12 to 17 dB	+4.0			dBm
		Gain = 5 to 11 dB	+8.0			dBm
		Gain = 3 to 5 dB	+10.5			dBm

Note 1: Performance is guaranteed only under the conditions listed in this Table.

Table 7. Gain Control Logic

	BPC1 (Pin 3)	BPC2 (Pin 6)
High gain	0	1
Low gain	1	0

Evaluation Board Description

The SKY65373-11 Evaluation Board is used to test the performance of the SKY65373-11 LNA. An assembly drawing for the Evaluation Board is shown in Figure 3 and the layer detail is provided in Figure 4. The layer detail physical characteristics are noted in Figure 5.

An Evaluation Board schematic diagram is provided in Figure 6. Table 7 provides the Bill of Materials (BOM) list for Evaluation Board components.

Package Dimensions

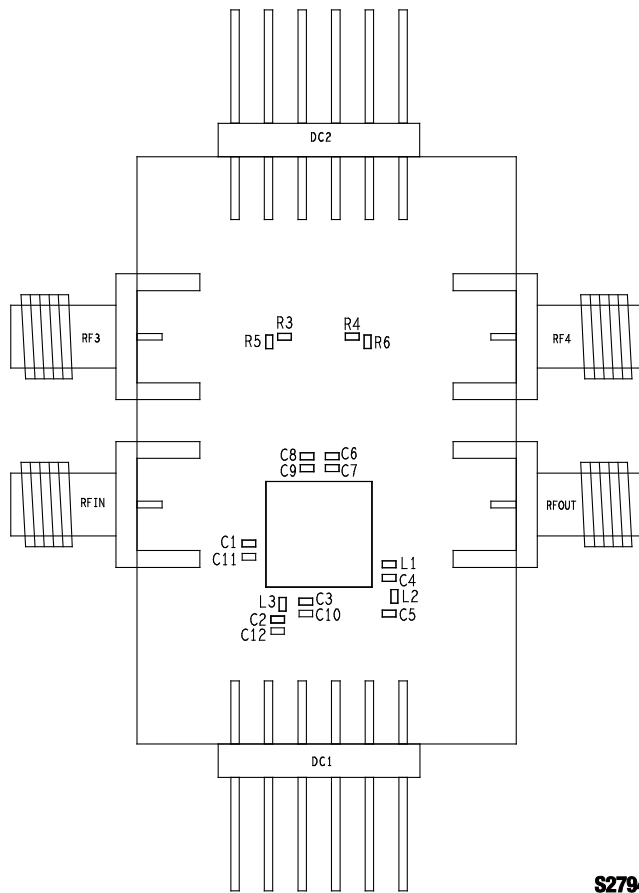
The PCB layout footprint for the SKY65373-11 is provided in Figure 7. Package dimensions for the 16-pin MCM are shown in Figure 8, and tape and reel dimensions are provided in Figure 9.

Package and Handling Information

Since the device package is sensitive to moisture absorption, it is baked and vacuum packed before shipping. Instructions on the shipping container label regarding exposure to moisture after the container seal is broken must be followed. Otherwise, problems related to moisture absorption may occur when the part is subjected to high temperature during solder assembly.

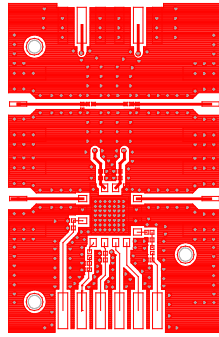
The SKY65373-11 is rated to Moisture Sensitivity Level 3 (MSL3) at 260 °C. It can be used for lead or lead-free soldering. For additional information, refer to Skyworks Application Note, *PCB Design and SMT Assembly/Rework Guidelines for MCM-L Packages*, document number 101752.

Care must be taken when attaching this product, whether it is done manually or in a production solder reflow environment. Production quantities of this product are shipped in a standard tape and reel format.

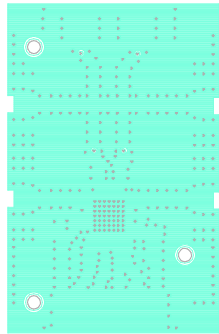


S2794

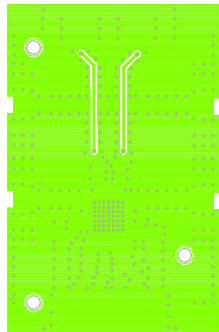
Figure 3. SKY65373-11 Evaluation Board Assembly Diagram



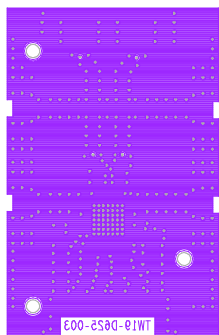
Layer 1: Top – Metal



Layer 2: Ground



Layer 3: Signal



Layer 4: Solid Ground Plane

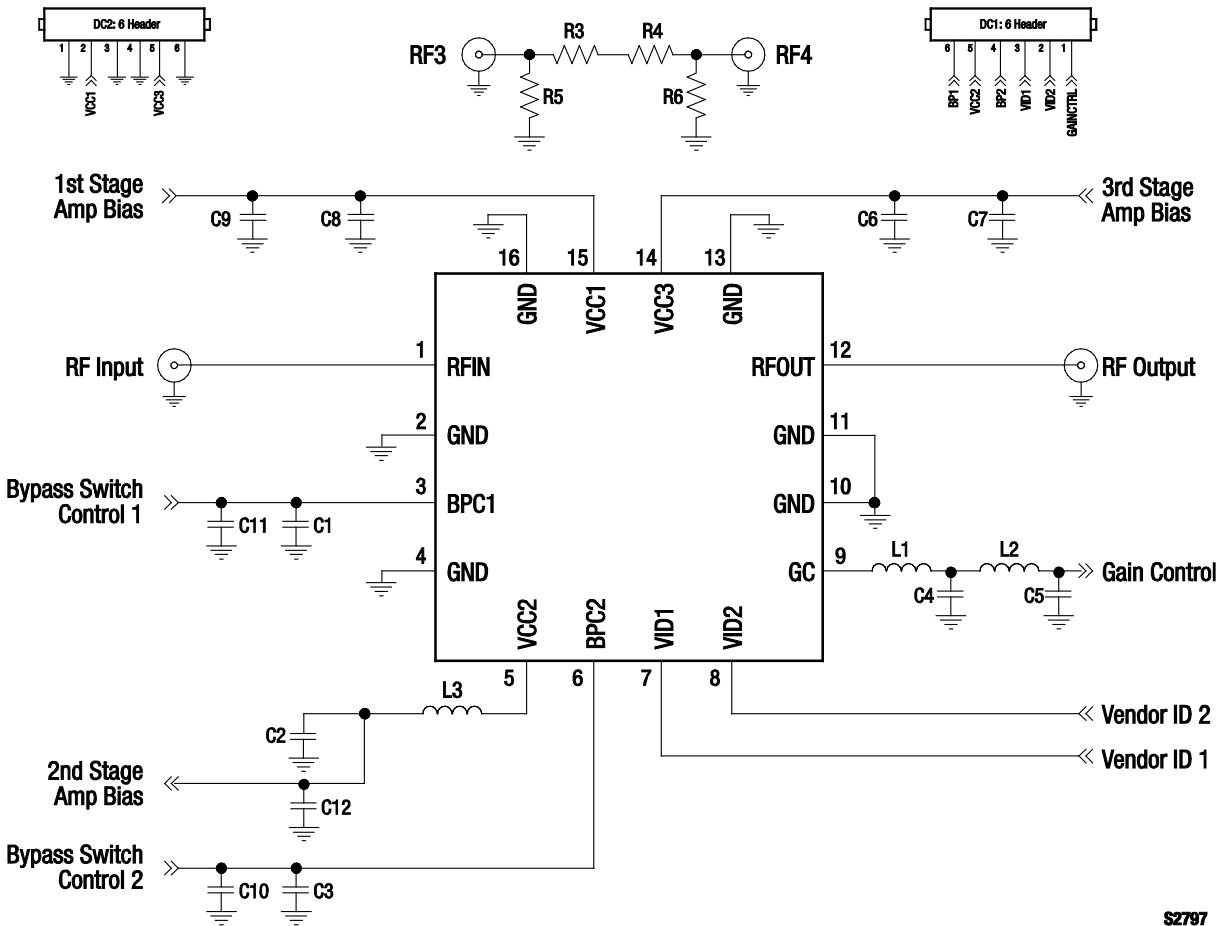
S2795

Figure 4. SKY65373-11 Evaluation Board Layer Detail

Cross Section	Name	Thickness (mm)	Material
	Tmask	0.010	Solder Resist
	L1	0.035	Cu – 1 oz
	Dielectric	0.250	R04350
	L2	0.035	Cu – 1 oz
	Dielectric	0.900	FR4
	L3	0.035	Cu – 1 oz
	Dielectric	0.250	FR4
	L4	0.200	Cu – 1 oz
	Bmask	0.010	Solder Resist

S2786

Figure 5. Layer Detail Physical Characteristics

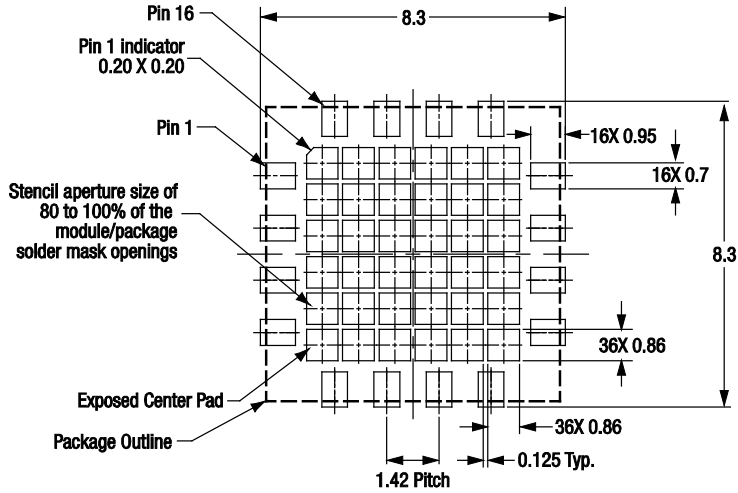


S2797

Figure 6. SKY65373-11 Evaluation Board Schematic

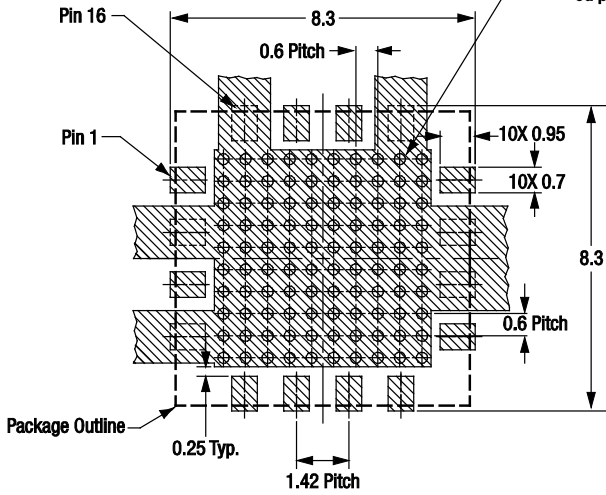
Table 7. SKY65373-11 Evaluation Board Bill of Materials

Component	Size	Value	Vendor	Part Number
*** TBD ***				

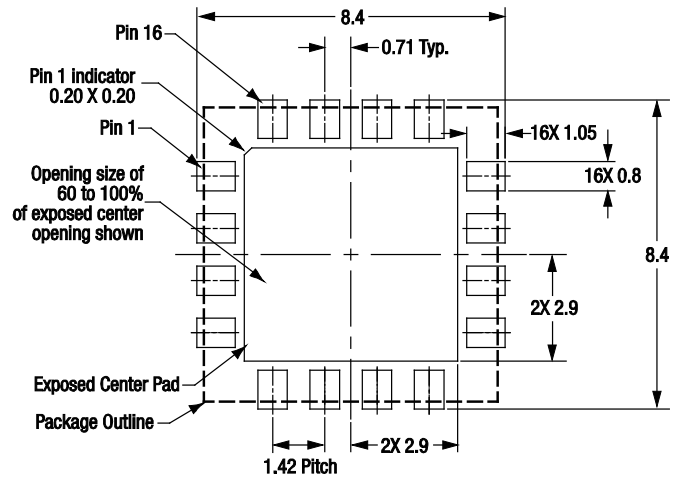


**Stencil Aperture
Top View**

Thermal via array $\varnothing 0.3$ mm on 0.6 mm pitch will improve thermal performance.
NOTE: thermal vias should be tented with solder mask, 30-35 μ m Cu plating recommended.



**Metallization
Top View**

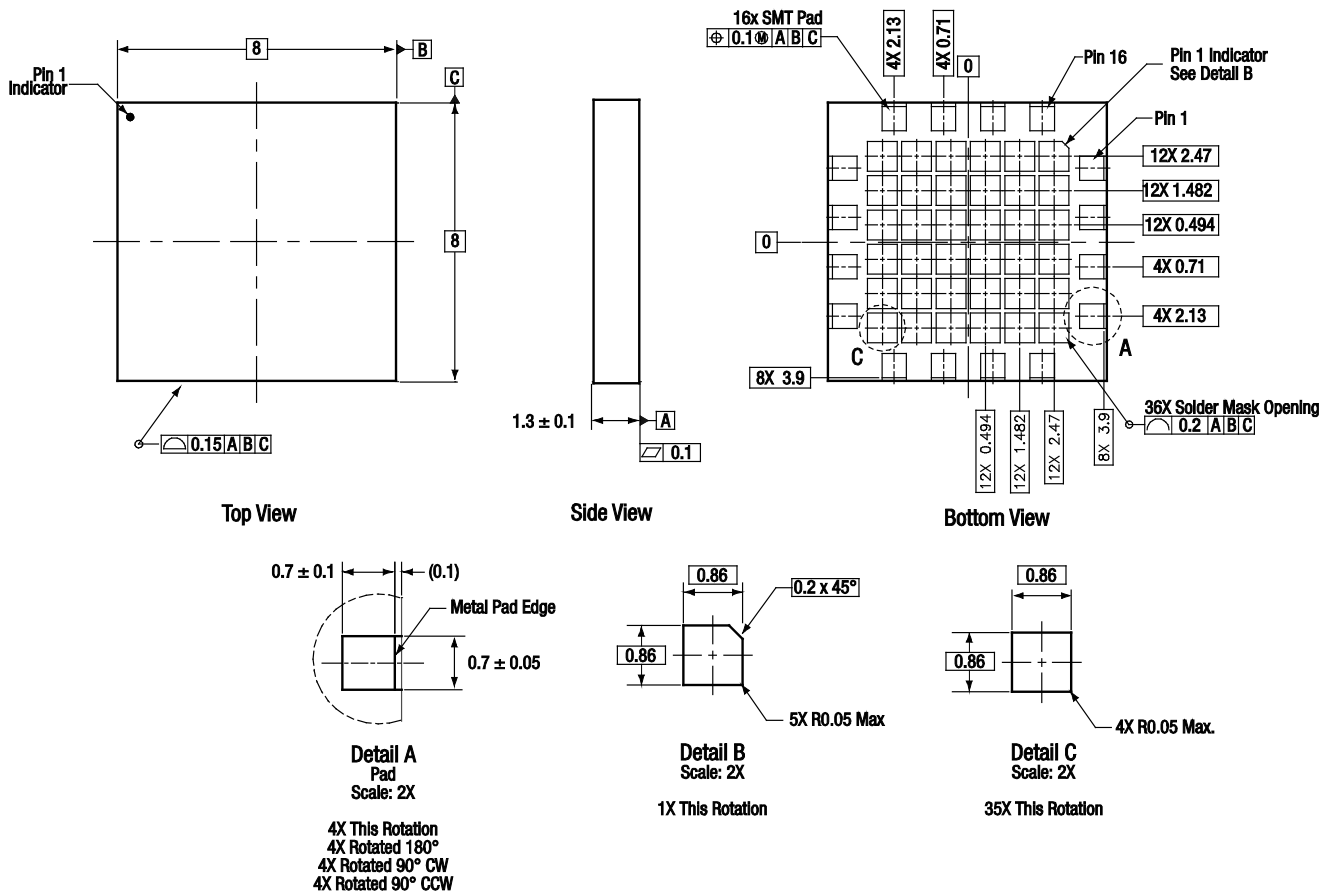


**Solder Mask Opening
Top View**

All dimensions are in millimeters

S2853

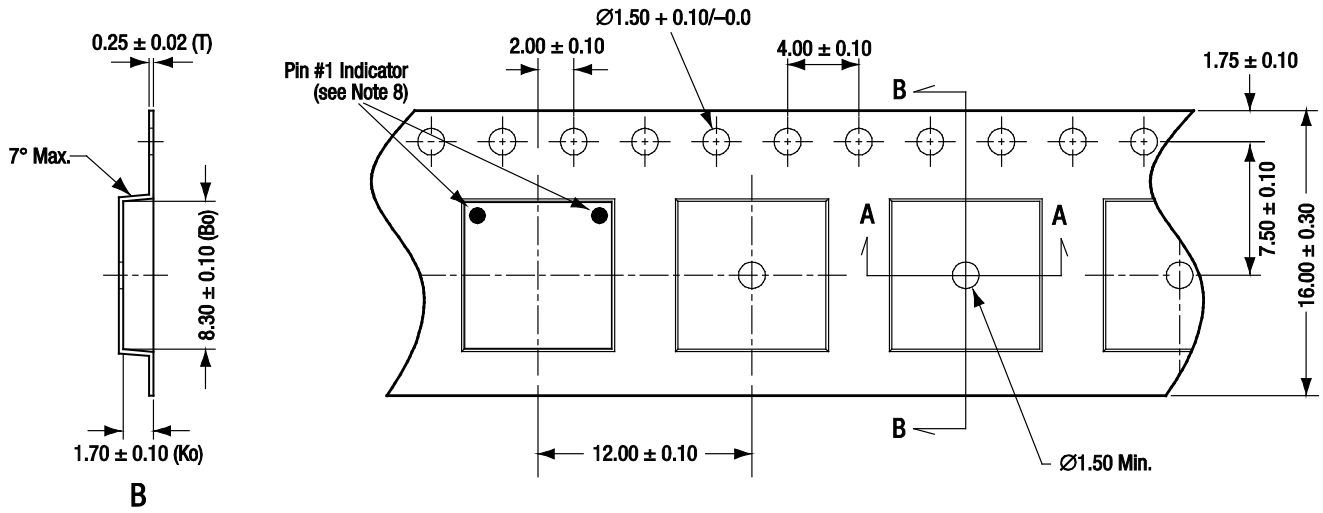
**Figure 7. SKY65373-11 PCB Layout Footprint
(Top View)**



Dimensioning and tolerancing according to ASME Y14.5M-1994.
 All measurements are in millimeters

S2473

Figure 8. SKY65373-11 16-Pin MCM Package Dimensions



Notes:

1. Carrier tape: black conductive polycarbonate.
2. Cover tape material: transparent conductive PSA.
3. Cover tape size: 21.3 mm width.
4. All dimensions are in millimeters.
5. ESD-surface resistivity is $\leq 1 \times 10^{10}$ Ohms/square per EIA, JEDEC TNR Specification.
6. Po/P1 10 pitches cumulative tolerance on tape: ± 0.20 mm.
7. Ao & Bo measurement point to be 0.30 mm from bottom pocket.
8. Pin 1 orientation is in top left corner for the following Skyworks products:

SKY77506-XX
 SKY77512-XX
 SKY77526-XX
 SKY77343-XX

For all other 8 x 8 mm MCM/RFLGA products, pin 1 orientation is in top right corner.

S2798

Figure 9. SKY65373-11 Tape and Reel Dimensions

Ordering Information

Model Name	Manufacturing Part Number	Evaluation Board Part Number
SKY65373-11 LNA	SKY65373-11	TW19-D620

Copyright © 2012 Skyworks Solutions, Inc. All Rights Reserved.

Information in this document is provided in connection with Skyworks Solutions, Inc. ("Skyworks") products or services. These materials, including the information contained herein, are provided by Skyworks as a service to its customers and may be used for informational purposes only by the customer. Skyworks assumes no responsibility for errors or omissions in these materials or the information contained herein. Skyworks may change its documentation, products, services, specifications or product descriptions at any time, without notice. Skyworks makes no commitment to update the materials or information and shall have no responsibility whatsoever for conflicts, incompatibilities, or other difficulties arising from any future changes.

No license, whether express, implied, by estoppel or otherwise, is granted to any intellectual property rights by this document. Skyworks assumes no liability for any materials, products or information provided hereunder, including the sale, distribution, reproduction or use of Skyworks products, information or materials, except as may be provided in Skyworks Terms and Conditions of Sale.

THE MATERIALS, PRODUCTS AND INFORMATION ARE PROVIDED "AS IS" WITHOUT WARRANTY OF ANY KIND, WHETHER EXPRESS, IMPLIED, STATUTORY, OR OTHERWISE, INCLUDING FITNESS FOR A PARTICULAR PURPOSE OR USE, MERCHANTABILITY, PERFORMANCE, QUALITY OR NON-INFRINGEMENT OF ANY INTELLECTUAL PROPERTY RIGHT; ALL SUCH WARRANTIES ARE HEREBY EXPRESSLY DISCLAIMED. SKYWORKS DOES NOT WARRANT THE ACCURACY OR COMPLETENESS OF THE INFORMATION, TEXT, GRAPHICS OR OTHER ITEMS CONTAINED WITHIN THESE MATERIALS. SKYWORKS SHALL NOT BE LIABLE FOR ANY DAMAGES, INCLUDING BUT NOT LIMITED TO ANY SPECIAL, INDIRECT, INCIDENTAL, STATUTORY, OR CONSEQUENTIAL DAMAGES, INCLUDING WITHOUT LIMITATION, LOST REVENUES OR LOST PROFITS THAT MAY RESULT FROM THE USE OF THE MATERIALS OR INFORMATION, WHETHER OR NOT THE RECIPIENT OF MATERIALS HAS BEEN ADVISED OF THE POSSIBILITY OF SUCH DAMAGE.

Skyworks products are not intended for use in medical, lifesaving or life-sustaining applications, or other equipment in which the failure of the Skyworks products could lead to personal injury, death, physical or environmental damage. Skyworks customers using or selling Skyworks products for use in such applications do so at their own risk and agree to fully indemnify Skyworks for any damages resulting from such improper use or sale.

Customers are responsible for their products and applications using Skyworks products, which may deviate from published specifications as a result of design defects, errors, or operation of products outside of published parameters or design specifications. Customers should include design and operating safeguards to minimize these and other risks. Skyworks assumes no liability for applications assistance, customer product design, or damage to any equipment resulting from the use of Skyworks products outside of stated published specifications or parameters.

Skyworks, the Skyworks symbol, and "Breakthrough Simplicity" are trademarks or registered trademarks of Skyworks Solutions, Inc., in the United States and other countries. Third-party brands and names are for identification purposes only, and are the property of their respective owners. Additional information, including relevant terms and conditions, posted at www.skyworksinc.com, are incorporated by reference.