

MC68HC05P18A
HCMOS Microcontroller Unit

TECHNICAL DATA

Motorola reserves the right to make changes without further notice to any products herein to improve reliability, function or design. Motorola does not assume any liability arising out of the application or use of any product or circuit described herein; neither does it convey any license under its patent rights nor the rights of others. Motorola products are not designed, intended, or authorized for use as components in systems intended for surgical implant into the body, or other applications intended to support or sustain life, or for any other application in which the failure of the Motorola product could create a situation where personal injury or death may occur. Should Buyer purchase or use Motorola products for any such unintended or unauthorized application, Buyer shall indemnify and hold Motorola and its officers, employees, subsidiaries, affiliates, and distributors harmless against all claims, costs, damages, and expenses, and reasonable attorney fees arising out of, directly or indirectly, any claim of personal injury or death associated with such unintended or unauthorized use, even if such claim alleges that Motorola was negligent regarding the design or manufacture of the part.

List of Sections

Section 1. General Description15

Section 2. Memory Map25

Section 3. Central Processor Unit (CPU)33

Section 4. Interrupts39

Section 5. Resets45

Section 6. Operating Modes49

Section 7. Input/Output (I/O) Ports55

Section 8. 16-Bit Timer63

Section 9. Serial Input/Output Ports (SIOP)77

Section 10. EEPROM85

Section 11. Analog-to-Digital (A/D) Converter91

Section 12. Instruction Set97

Section 13. Electrical Specifications115

Section 14. Mechanical Specifications125

Section 15. Ordering Information127

Table of Contents

Section 1. General Description

1.1	Contents	15
1.2	Introduction	16
1.3	Features	18
1.4	Mask Options	19
1.5	Functional Pin Description	19
1.5.1	Power Supply (V_{DD} and V_{SS})	20
1.5.2	Oscillator Pins (OSC1 and OSC2)	20
1.5.2.1	Crystal	21
1.5.2.2	Ceramic Resonator	22
1.5.2.3	External Clock	22
1.5.3	Reset (\overline{RESET})	22
1.5.4	Port A (PA0–PA7)	22
1.5.5	Port B (PB5/SDO, PB6/SDI, and PB7/SCK)	23
1.5.6	Port C (PC0–PC2, PC3/AD3, PC4/AD2, PC5/AD1, PC6/AD0, and PC7/ V_{REFH})	23
1.5.7	Port D (PD5/CKOUT and PD7/TCAP)	23
1.5.8	Timer Output Compare (TCMP)	23
1.5.9	Maskable Interrupt Request (\overline{IRQ})	24
1.5.10	CPU Core	24

Section 2. Memory Map

2.1	Contents	25
2.2	Introduction	25
2.3	User Mode Memory Map	26
2.4	I/O and Control Registers	26
2.5	RAM	32
2.6	ROM	32

Section 3. Central Processor Unit (CPU)

3.1	Contents	33
3.2	Introduction	33
3.3	CPU Registers	34
3.3.1	Accumulator	35
3.3.2	Index Register	35
3.3.3	Stack Pointer	35
3.3.4	Program Counter	36
3.3.5	Condition Code Register	37
3.4	Arithmetic/Logic Unit	38

Section 4. Interrupts

4.1	Contents	39
4.2	Introduction	39
4.3	CPU Interrupt Processing	40
4.4	Interrupt Types	42
4.4.1	Reset Interrupt Sequence	42
4.4.2	Software Interrupt (SWI)	42
4.4.3	Hardware Interrupts	43
4.4.3.1	External Interrupt (IRQ)	43
4.4.3.2	Input Capture Interrupt	43
4.4.3.3	Output Compare Interrupt	44
4.4.3.4	Timer Overflow Interrupt	44

Section 5. Resets

5.1	Contents	45
5.2	Introduction	45
5.3	External Reset ($\overline{\text{RESET}}$)	46
5.4	Internal Resets	46
5.4.1	Power-On Reset (POR)	47
5.4.2	Computer Operating Properly (COP) Reset	47
5.4.3	Low-Voltage Reset (LVR)	48

Section 6. Operating Modes

6.1 Contents49

6.2 Introduction49

6.3 User Mode50

6.4 Low-Power Modes50

6.4.1 STOP Instruction52

6.4.1.1 Stop Mode52

6.4.1.2 Halt Mode53

6.4.2 WAIT Instruction53

6.5 COP Watchdog Timer Considerations54

Section 7. Input/Output (I/O) Ports

7.1 Contents55

7.2 Introduction55

7.3 Port A56

7.4 Port B57

7.5 Port C58

7.6 Port D59

7.7 I/O Port Programming60

Section 8. 16-Bit Timer

8.1 Contents63

8.2 Introduction63

8.3 Timer65

8.4 Output Compare68

8.5 Input Capture70

8.6 Timer Control Register72

8.7 Timer Status Register73

8.8 Timer Operation during Wait Mode and Halt Mode74

8.9 Timer Operating during Stop Mode74

Section 9. Serial Input/Output Ports (SIOP)

9.1	Contents	77
9.2	Introduction	77
9.3	SIOP Signal Format	78
9.3.1	Serial Clock (SCK)	78
9.3.2	Serial Data Input (SDI)	79
9.3.3	Serial Data Output (SDO)	79
9.4	SIOP Registers	80
9.4.1	SIOP Control Register	80
9.4.2	SIOP Status Register	82
9.4.3	SIOP Data Register	83

Section 10. EEPROM

10.1	Contents	85
10.2	Introduction	85
10.3	EEPROM Programming Register	86
10.4	Programming/Erasing Procedures	88

Section 11. Analog-to-Digital (A/D) Converter

11.1	Contents	91
11.2	Introduction	91
11.3	Analog Section	92
11.3.1	Ratiometric Conversion	92
11.3.2	Reference Supply Voltage (V_{REFH})	92
11.3.3	Accuracy and Precision	92
11.4	Conversion Process	92
11.5	Digital Section	93
11.5.1	Conversion Times	93
11.5.2	Internal versus External Oscillator	93
11.5.3	Multi-Channel Operation	94
11.6	A/D Status and Control Register	94
11.7	A/D Conversion Value Data Register	96

11.8 A/D Subsystem Operation during Wait Mode and Halt Mode96

11.9 A/D Subsystem Operation during Stop Mode.....96

Section 12. Instruction Set

12.1 Contents97

12.2 Introduction.....98

12.3 Addressing Modes98

12.3.1 Inherent99

12.3.2 Immediate.....99

12.3.3 Direct99

12.3.4 Extended99

12.3.5 Indexed, No Offset100

12.3.6 Indexed, 8-Bit Offset.....100

12.3.7 Indexed,16-Bit Offset100

12.3.8 Relative101

12.4 Instruction Types101

12.4.1 Register/Memory Instructions.....102

12.4.2 Read-Modify-Write Instructions103

12.4.3 Jump/Branch Instructions.....104

12.4.4 Bit Manipulation Instructions106

12.4.5 Control Instructions107

12.5 Instruction Set Summary108

Section 13. Electrical Specifications

13.1 Contents115

13.2 Maximum Ratings.....116

13.3 Operating Temperature Range.....116

13.4 Thermal Characteristics116

13.5 Power Considerations.....117

13.6 DC Electrical Characteristics118

13.7 Active Reset Characteristics.....119

13.8 A/D Converter Characteristics120

13.9 SIOP Timing121

13.10 PD5 Clock Out Timing (PD5 Clock Out Option Enabled)122
13.11 Control Timing123

Section 14. Mechanical Specifications

14.1 Contents125
14.2 Introduction125
14.3 28-Pin Plastic Dual In-Line Package (Case #710)126
14.4 28-Pin Small Outline Package (Case #751F)126

Section 15. Ordering Information

15.1 Contents127
15.2 Introduction127
15.3 MC Order Numbers127

List of Figures

Figure	Title	Page
1-1	MC68HC05P18A Block Diagram	17
1-2	User Mode Pinout	20
1-3	Oscillator Connections	21
2-1	MC68HC05P18A User Mode Memory Map	27
2-2	MC68HC05P18A I/O and Control Registers Memory Map	28
2-3	I/O and Control Registers	29
3-1	Programming Model	34
3-2	Accumulator (A)	35
3-3	Index Register (X)	35
3-4	Stack Pointer (SP)	36
3-5	Program Counter (PC)	36
3-6	Condition Code Register (CCR)	37
4-1	Interrupt Processing Flowchart	41
5-1	Reset Block Diagram	46
5-2	COP Register (COPR)	47
6-1	Stop, Halt, and Wait Modes Flowchart	51
7-1	Port A I/O Circuitry	56
7-2	Port B I/O Circuitry	57
7-3	Port C I/O Circuitry	58
7-4	Port D I/O Circuitry	59

List of Figures

Figure	Title	Page
8-1	16-Bit Timer Block Diagram	64
8-2	Timer Counter Registers (TMRH/TMRL)	66
8-3	Alternate Counter Registers (ACRH/ACRL)	66
8-4	State Timing Diagram for Timer Overflow	67
8-5	State Timing Diagram for Timer Reset	67
8-6	Output Compare Registers (OCRH/OCRL)	68
8-7	Output Compare Software Initialization Example	69
8-8	Input Capture Registers (ICRH/ICRL)	70
8-9	State Timing Diagram for Input Capture	71
8-10	Timer Control Register (TCR)	72
8-11	Timer Status Register (TSR)	73
9-1	SIOP Block Diagram	78
9-2	SIOP Timing Diagram	79
9-3	SIOP Control Register (SCR)	80
9-4	SIOP Status Register (SSR)	82
9-5	SIOP Data Register (SDR)	83
10-1	EEPROM Programming Register (EEPROM)	86
11-1	A/D Status and Control Register (ADSCR)	94
11-2	A/D Conversion Value Data Register (ADC)	96
13-1	SIOP Timing Diagram	121
13-2	PD5 Clock Out Timing	122
13-3	Power-On Reset and External Reset Timing Diagram	124

Freescale Semiconductor, Inc.

List of Tables

Table	Title	Page
4-1	Vector Address for Interrupts and Reset	40
6-1	COP Watchdog Timer Recommendations	54
7-1	Port A I/O Pin Functions	60
7-2	Port B I/O Pin Functions	60
7-3	Port C I/O Pin Functions	60
7-4	Port D I/O Pin Functions	61
10-1	Erase Mode Select	86
11-1	A/D Multiplexer Input Channel Assignments	95
12-1	Register/Memory Instructions	102
12-2	Read-Modify-Write Instructions	103
12-3	Jump and Branch Instructions	105
12-4	Bit Manipulation Instructions	106
12-5	Control Instructions	107
12-6	Instruction Set Summary	108
12-7	Opcode Map	114
15-1	MC Order Numbers	127

Section 1. General Description

1.1 Contents

1.2	Introduction	16
1.3	Features	18
1.4	Mask Options	19
1.5	Functional Pin Description	19
1.5.1	Power Supply (V_{DD} and V_{SS})	20
1.5.2	Oscillator Pins (OSC1 and OSC2)	20
1.5.2.1	Crystal	21
1.5.2.2	Ceramic Resonator	22
1.5.2.3	External Clock	22
1.5.3	Reset (\overline{RESET})	22
1.5.4	Port A (PA0–PA7)	22
1.5.5	Port B (PB5/SDO, PB6/SDI, and PB7/SCK)	23
1.5.6	Port C (PC0–PC2, PC3/AD3, PC4/AD2, PC5/AD1, PC6/AD0, and PC7/ V_{REFH})	23
1.5.7	Port D (PD5/CKOUT and PD7/TCAP)	23
1.5.8	Timer Output Compare (TCMP)	23
1.5.9	Maskable Interrupt Request (\overline{IRQ})	24
1.5.10	CPU Core	24

1.2 Introduction

The Motorola MC68HC05P18A is a low-cost microcontroller with:

- 4-channel, 8-bit analog-to-digital (A/D) converter
- 16-bit timer with output compare and input capture
- Serial communications port (SIOP)
- Computer operating properly (COP) watchdog timer

The HC05 central processor unit (CPU) core contains:

- 192 bytes of random-access memory (RAM)
- 8064 bytes of user read-only memory (ROM)
- 128 bytes of electrically erasable programmable read-only memory (EEPROM)
- 21 input/output (I/O) pins (20 bidirectional, 1 input-only)

This device is available in:

- 28-pin plastic dual in-line package (PDIP)
- 28 pin small-outline integrated circuit package (SOIC)

A functional block diagram of the MC68HC05P18A is shown in [Figure 1-1](#).

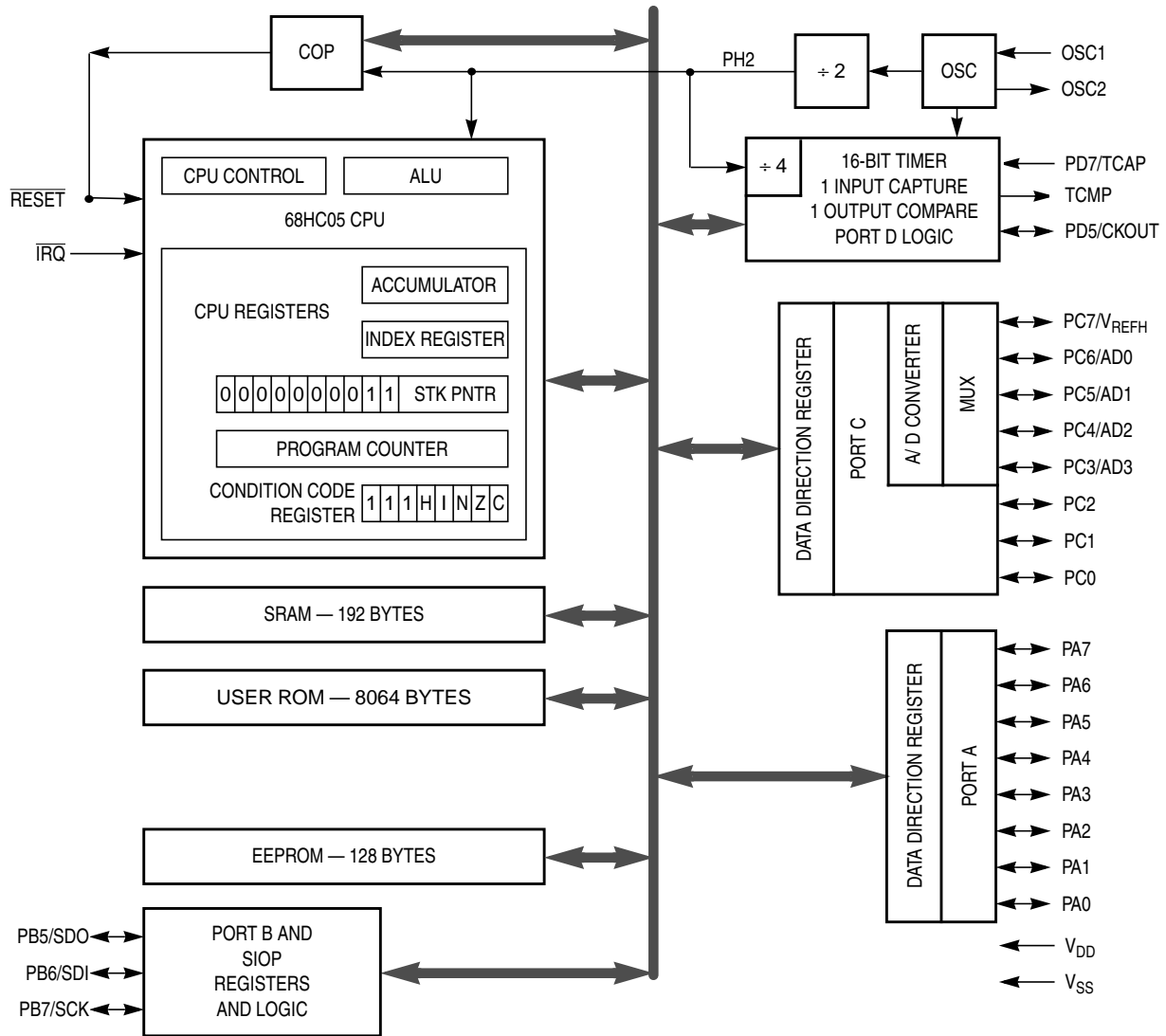


Figure 1-1. MC68HC05P18A Block Diagram

NOTE: A line over a signal name indicates an active low signal. For example, RESET is active high and RESET is active low.

1.3 Features

Features of the MC68HC05P18A include:

- Low-cost, HC05 core running at 2-MHz bus speed, or the 4-MHz high-speed option
- 28-pin DIP or SOIC package
- On-chip crystal/ceramic resonator
- 8064 bytes of user ROM including:
 - 48 bytes of page zero ROM
 - 16 bytes of user vectors
- 192 bytes of on-chip RAM
- 128 bytes of EEPROM
- Low-voltage reset (LVR)
- Four-channel, 8-bit A/D converter
- Serial communications port
- COP watchdog timer with active pull down on $\overline{\text{RESET}}$
- 16-bit timer with output compare and input capture
- Edge- and level-sensitive interrupt or edge-sensitive only (mask option)
- 20 bidirectional I/O lines and 1 input-only line
- Individually mask selectable pullups/interrupts on port A pins
- High current sink and source on two I/O pins, PC0 and PC1
- Power-saving stop mode and wait mode instructions and stop conversion to halt mode (mask option)
- Mask option for clock output pin

1.4 Mask Options

The MC68HC05P18A has eight mask options:

1. $\overline{\text{IRQ}}$ is edge- and level-sensitive or edge-sensitive only.
2. SIOP MSB (most-significant bit) first or LSB (least-significant bit) first
3. SIOP clock rate set to OSC divided by 2, 4, 8, 16, 32, 64, 128, or 256
4. COP watchdog timer enabled or disabled
5. Stop instruction enabled or converted to halt mode
6. Option to enable clock output pin to replace PD5
7. Option to individually enable pullups/interrupts on each of the eight port A pins
8. LVR enabled or disabled

1.5 Functional Pin Description

This subsection describes the functionality of each pin on the MC68HC05P18A package.

NOTE: *For pins connected to subsystems described in other sections, a reference to the section is given instead of a detailed functional description.*

The pinout is shown in [Figure 1-2](#).

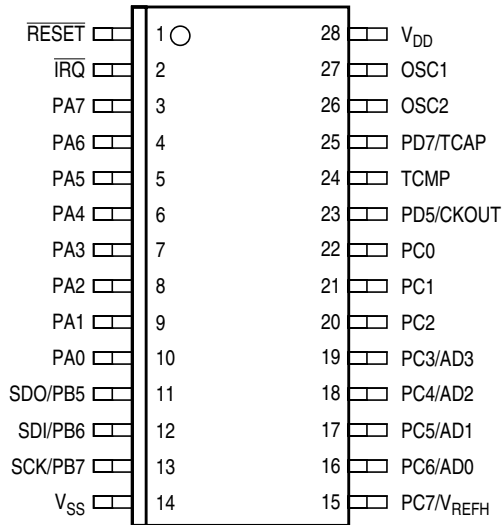


Figure 1-2. User Mode Pinout

1.5.1 Power Supply (V_{DD} and V_{SS})

Power is supplied to the MCU through V_{DD} and V_{SS}. V_{DD} is connected to a regulated +5-volt supply and V_{SS} is connected to ground.

Very fast signal transitions occur on the MCU pins. The short rise and fall times place very high short-duration current demands on the power supply. To prevent noise problems, take special care to provide good power supply bypassing at the MCU. Use bypass capacitors with good high-frequency characteristics and position them as close to the MCU as possible. Bypassing requirements vary, depending on how heavily the MCU pins are loaded.

1.5.2 Oscillator Pins (OSC1 and OSC2)

The OSC1 and OSC2 pins are the control connections for the on-chip oscillator. The OSC1 and OSC2 pins can accept:

1. A crystal or ceramic resonator, as shown in [Figure 1-3 \(a\)](#)
2. An external clock signal, as shown in [Figure 1-3 \(b\)](#)

The frequency, f_{OSC} , of the oscillator or external clock source is divided by two to produce the internal PH2 bus clock operating frequency, f_{OP} . The oscillator cannot be turned off by software if the stop-to-halt conversion is enabled via mask option.

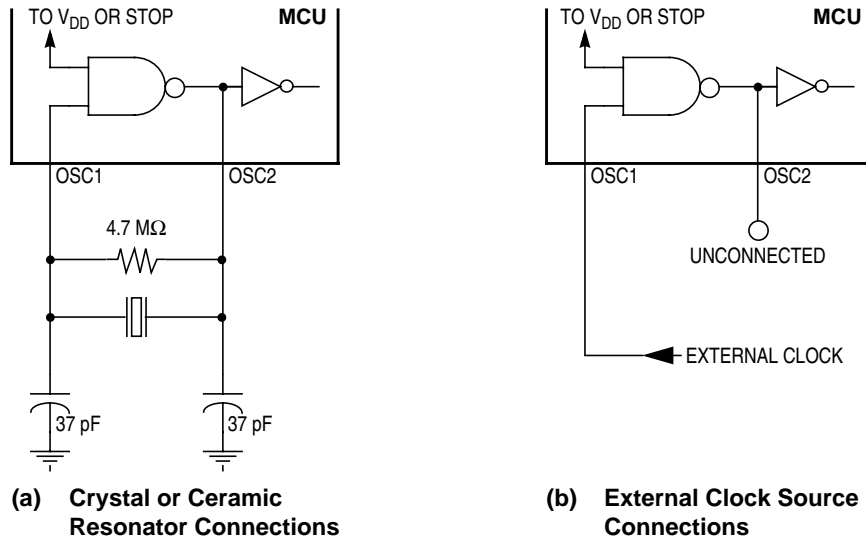


Figure 1-3. Oscillator Connections

1.5.2.1 Crystal

The circuit in **Figure 1-3 (a)** shows a typical oscillator circuit for an AT-cut, parallel resonant crystal.

NOTE: *The crystal manufacturer's recommendations should be followed, as the crystal parameters determine the external component values required to provide maximum stability and reliable startup.*

The load capacitance values used in the oscillator circuit design should include all stray capacitances. Mount the crystal and components as close as possible to the pins for startup stabilization and to minimize output distortion.

General Description

1.5.2.2 Ceramic Resonator

In cost-sensitive applications, a ceramic resonator can be used in place of the crystal. The circuit in [Figure 1-3 \(a\)](#) can be used for a ceramic resonator.

NOTE: *The crystal manufacturer's recommendations should be followed, as the crystal parameters determine the external component values required to provide maximum stability and reliable startup.*

The load capacitance values used in the oscillator circuit design should include all stray capacitances. Mount the resonator and components as close as possible to the pins for startup stabilization and to minimize output distortion.

1.5.2.3 External Clock

An external clock from another CMOS-compatible device can be connected to the OSC1 input, with the OSC2 input not connected, as shown in [Figure 1-3 \(b\)](#).

1.5.3 Reset ($\overline{\text{RESET}}$)

Driving this input low resets the MCU to a known startup state. As an output pin, the $\overline{\text{RESET}}$ pin indicates that an internal MCU reset has occurred. The $\overline{\text{RESET}}$ pin contains an internal Schmitt trigger to improve its noise immunity. Refer to [Section 5. Resets](#).

1.5.4 Port A (PA0–PA7)

Port A is comprised of eight I/O pins (PA0–PA7). The state of any pin is software programmable and all port A lines are configured as inputs during power-on or reset. Eight mask options can be chosen to enable pullups and interrupts (active low) on port A pins (see [1.4 Mask Options](#)). Refer to [Section 7. Input/Output \(I/O\) Ports](#) and [Section 4. Interrupts](#).

1.5.5 Port B (PB5/SDO, PB6/SDI, and PB7/SCK)

Port B is comprised of three I/O pins which are shared with the SIOP communications subsystem. The state of any pin is software programmable and all port B lines are configured as inputs during power-on or reset. Refer to [Section 7. Input/Output \(I/O\) Ports](#) and [Section 9. Serial Input/Output Ports \(SIOP\)](#).

1.5.6 Port C (PC0–PC2, PC3/AD3, PC4/AD2, PC5/AD1, PC6/AD0, and PC7/V_{REFH})

Port C is comprised of eight I/O pins which are shared with the A/D converter subsystem. The state of any pin is software programmable and all port C lines are configured as inputs during power-on or reset. Port pins PC0 and PC1 are capable of sourcing and sinking high currents. Refer to [Section 7. Input/Output \(I/O\) Ports](#).

1.5.7 Port D (PD5/CKOUT and PD7/TCAP)

Port D is comprised of two I/O pins and one of them is shared with the 16-bit timer subsystem. The state of PD5/CKOUT is software programmable and is configured as an input during power-on or reset. PD7 is always an input; it may be read at any time, regardless of the mode of operation the 16-bit timer may be in. Refer to [Section 7. Input/Output \(I/O\) Ports](#) and [Section 8. 16-Bit Timer](#).

NOTE: *A mask option turns the PD5/CKOUT pin into a clock output which is a buffered OSC2 signal with a CMOS output driver. The clock output or the port D function must be chosen with the mask option and is not alterable in software.*

1.5.8 Timer Output Compare (TCMP)

TCMP is the output from the 16-bit timer's output compare function. It is low after reset. Refer to [Section 8. 16-Bit Timer](#).

1.5.9 Maskable Interrupt Request ($\overline{\text{IRQ}}$)

This input pin drives the asynchronous interrupt function of the MCU. The MCU completes the current instruction being executed before it responds to the $\overline{\text{IRQ}}$ interrupt request. When $\overline{\text{IRQ}}$ is driven low, the event is latched internally to signify an interrupt has been requested. When the MCU completes its current instruction, the interrupt latch is tested. If the interrupt latch is set, and the interrupt mask bit (I bit) in the condition code register (CCR) is clear, the MCU begins the interrupt sequence.

Depending on the mask option selected, the $\overline{\text{IRQ}}$ pin triggers this interrupt on either a negative going edge at the $\overline{\text{IRQ}}$ pin and/or while the $\overline{\text{IRQ}}$ pin is held in the low state. In either case, the $\overline{\text{IRQ}}$ pin must be held low for at least one t_{LIH} time period.

If the edge- and level-sensitive mask option is selected, the $\overline{\text{IRQ}}$ input requires an external resistor connected to V_{DD} for a wired-OR operation. If the $\overline{\text{IRQ}}$ pin is not used, it must be tied to the V_{DD} supply. The $\overline{\text{IRQ}}$ pin contains an internal Schmitt trigger as part of its input circuitry to improve noise immunity. Refer to [Section 4. Interrupts](#).

1.5.10 CPU Core

The MC68HC05P18A uses a standard M68HC05 series CPU core. A description of the instruction set is in [Section 12. Instruction Set](#).

Section 2. Memory Map

2.1 Contents

2.2	Introduction	25
2.3	User Mode Memory Map	26
2.4	I/O and Control Registers	26
2.5	RAM	32
2.6	ROM	32

2.2 Introduction

The MC68HC05P18A utilizes 14 address lines to access an internal memory space covering 16 Kbytes. This memory space is divided into:

- Input/output (I/O)
- Random-access memory (RAM)
- Electrically erasable programmable read-only memory (EEPROM)
- Read-only memory (ROM)

2.3 User Mode Memory Map

When the MC68HC05P18A is in user mode, these are active:

- 32 bytes of I/O
- 192 bytes of RAM
- 128 bytes of EEPROM
- 8000 bytes of user ROM
- 48 bytes of user page zero ROM
- 16 bytes of user vector ROM

See [Figure 2-1](#).

2.4 I/O and Control Registers

[Figure 2-2](#) and [Figure 2-3](#) briefly describe the I/O and control registers at locations \$0000–\$001F.

NOTE: *Reading unimplemented bits returns unknown states, and writing unimplemented bits is ignored.*

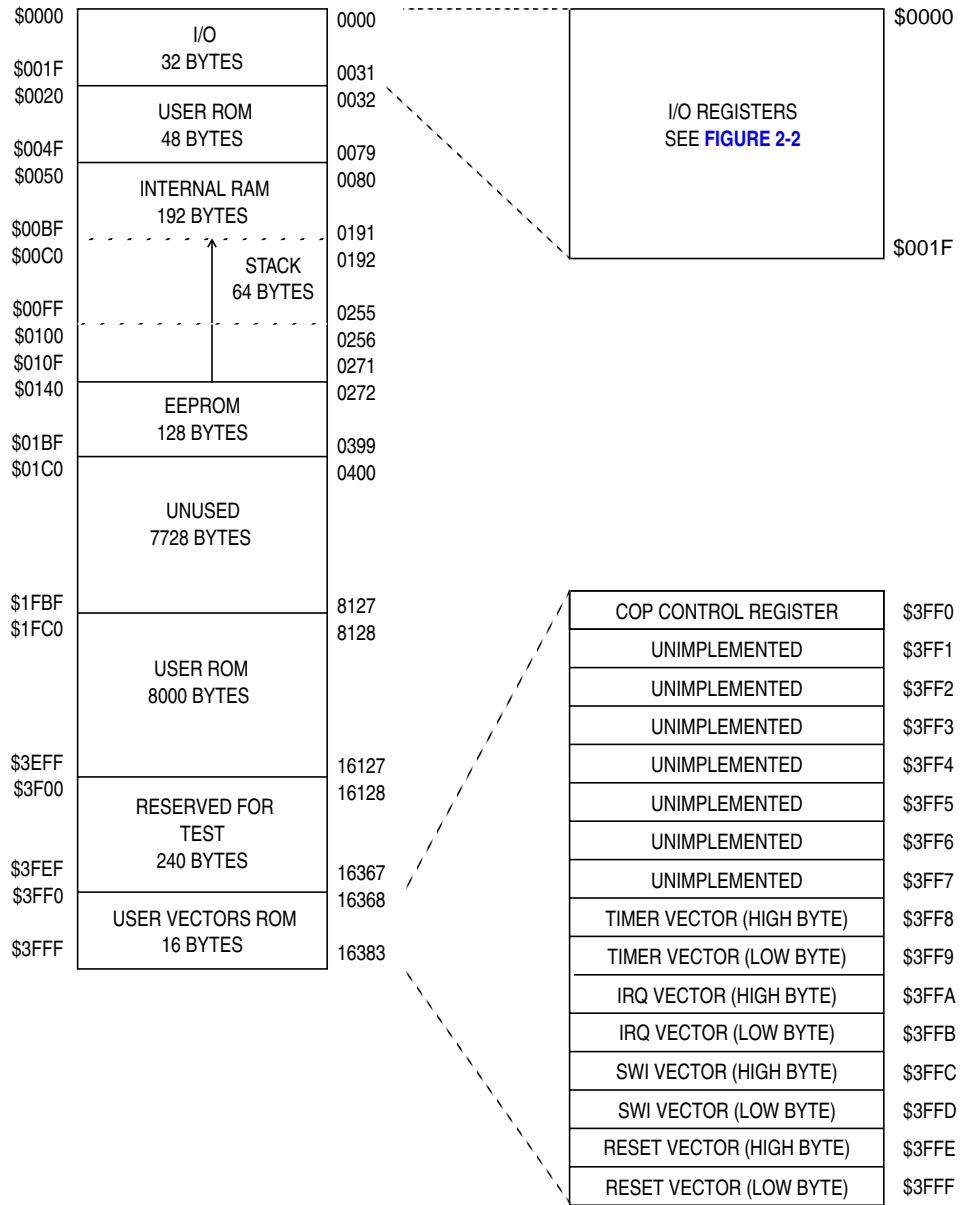


Figure 2-1. MC68HC05P18A User Mode Memory Map

Memory Map

PORT A DATA REGISTER	\$0000
PORT B DATA REGISTER	\$0001
PORT C DATA REGISTER	\$0002
PORT D DATA REGISTER	\$0003
PORT A DATA DIRECTION REGISTER	\$0004
PORT B DATA DIRECTION REGISTER	\$0005
PORT C DATA DIRECTION REGISTER	\$0006
PORT D DATA DIRECTION REGISTER	\$0007
UNIMPLEMENTED	\$0008
UNIMPLEMENTED	\$0009
SIOP CONTROL REGISTER	\$000A
SIOP STATUS REGISTER	\$000B
SIOP DATA REGISTER	\$000C
UNIMPLEMENTED	\$000D
UNIMPLEMENTED	\$000E
UNIMPLEMENTED	\$000F
UNIMPLEMENTED	\$0010
UNIMPLEMENTED	\$0011
TIMER CONTROL REGISTER	\$0012
TIMER STATUS REGISTER	\$0013
INPUT CAPTURE MSB	\$0014
INPUT CAPTURE LSB	\$0015
OUTPUT COMPARE MSB	\$0016
OUTPUT COMPARE LSB	\$0017
TIMER MSB	\$0018
TIMER LSB	\$0019
ALTERNATE COUNTER MSB	\$001A
ALTERNATE COUNTER LSB	\$001B
EEPROM PROGRAMMING REGISTER	\$001C
A/D CONVERTER DATA REGISTER	\$001D
A/D CONVERTER CONTROL & STATUS REGISTER	\$001E
RESERVED FOR TEST	\$001F

Figure 2-2. MC68HC05P18A I/O and Control Registers Memory Map

Addr.	Register Name	Bit 7	6	5	4	3	2	1	Bit 0	
\$0000	Port A Data Register (PORTA) See page 56.	Read:	PA7	PA6	PA5	PA4	PA3	PA2	PA1	PA0
		Write:								
		Reset:	Unaffected by reset							
\$0001	Port B Data Register (PORTB) See page 57.	Read:	PB7	PB6	PB5	0	0	0	0	0
		Write:								
		Reset:	Unaffected by reset							
\$0002	Port C Data Register (PORTC) See page 58.	Read:	PC7	PC6	PC5	PC4	PC3	PC2	PC1	PC0
		Write:								
		Reset:	Unaffected by reset							
\$0003	Port D Data Register (PORTD) See page 59.	Read:	PD7	0	PD5	1	0	0	0	0
		Write:								
		Reset:	Unaffected by reset							
\$0004	Port A Data Direction (DDRA) See page 56.	Read:	DDRA7	DDRA6	DDRA5	DDRA4	DDRA3	DDRA2	DDRA1	DDRA0
		Write:								
		Reset:	0	0	0	0	0	0	0	0
\$0005	Port B Data Direction (DDRB) See page 57.	Read:	DDRB7	DDRB6	DDRB5	1	1	1	1	1
		Write:								
		Reset:	0	0	0	0	0	0	0	0
\$0006	Port C Data Direction (DDRC) See page 58.	Read:	DDRC7	DDRC6	DDRC5	DDRC4	DDRC3	DDRC2	DDRC1	DDRC0
		Write:								
		Reset:	0	0	0	0	0	0	0	0
\$0007	Port D Data Direction (DDRD) See page 59.	Read:	0	0	DDRD5	0	0	0	0	0
		Write:								
		Reset:	0	0	0	0	0	0	0	0
\$0008	Unimplemented									

= Unimplemented
 = Reserved
 U = Unaffected

Figure 2-3. I/O and Control Registers (Sheet 1 of 4)

Memory Map

Freescale Semiconductor, Inc.

Addr.	Register Name	Bit 7	6	5	4	3	2	1	Bit 0	
\$0009	Unimplemented									
\$000A	SIOPI Control Register (SCR) See page 80.	Read:	0	SPE	0	MSTR	0	0	0	0
		Write:								
		Reset:	0	0	0	0	0	0	0	0
\$000B	SIOPI Status Register (SSR) See page 82.	Read:	SPIF	DCOL	0	0	0	0	0	0
		Write:								
		Reset:	0	0	0	0	0	0	0	0
\$000C	SIOPI Data Register (SDR) See page 83.	Read:	SDR7	SDR6	SDR5	SDR4	SDR3	SDR2	SDR1	SDR0
		Write:								
		Reset:	Unaffected by reset							
\$000D	Reserved	R	R	R	R	R	R	R	R	
\$000E	Unimplemented									
↓	↓									
\$0011	Unimplemented									
\$0012	Timer Control Register (TCR) See page 72.	Read:	ICIE	OCIE	TOIE	0	0	0	IEDG	OLVL
		Write:								
		Reset:	0	0	0	0	0	0	U	0
\$0013	Timer Status Register (TSR) See page 73.	Read:	ICF	OCF	TOF	0	0	0	0	0
		Write:								
		Reset:	U	U	U	0	0	0	0	0
\$0014	Input Capture Register (ICRH) See page 70.	Read:	ICRH7	ICRH6	ICRH5	ICRH4	ICRH3	ICRH2	ICRH1	ICRH0
		Write:								
		Reset:	Unaffected by reset							

= Unimplemented
 R = Reserved
 U = Unaffected

Figure 2-3. I/O and Control Registers (Sheet 2 of 4)

Addr.	Register Name	Bit 7	6	5	4	3	2	1	Bit 0	
\$0015	Input Capture Register (ICRL) See page 70.	Read:	ICRL7	ICRL6	ICRL5	ICRL4	ICRL3	ICRL2	ICRL1	ICRL0
		Write:								
		Reset:	Unaffected by reset							
\$0016	Output Compare Register (OCRH) See page 68.	Read:	OCRH7	OCRH6	OCRH5	OCRH4	OCRH3	OCRH2	OCRH1	OCRH0
		Write:								
		Reset:	Unaffected by reset							
\$0017	Output Compare Register (OCRL) See page 68.	Read:	OCRL7	OCRL6	OCRL5	OCRL4	OCRL3	OCRL2	OCRL1	OCRL0
		Write:								
		Reset:	Unaffected by reset							
\$0018	Timer Counter Register (TMRH) See page 66.	Read:	TMRH7	TMRH6	TMRH5	TMRH4	TMRH3	TMRH2	TMRH1	TMRH0
		Write:								
		Reset:	1	1	1	1	1	1	1	1
\$0019	Timer Counter Register (TMRL) See page 66.	Read:	TMRL7	TMRL6	TMRL5	TMRL4	TMRL3	TMRL2	TMRL1	TMRL0
		Write:								
		Reset:	1	1	1	1	1	1	1	1
\$001A	Alternate Counter Register (ACRH) See page 66.	Read:	ACRH7	ACRH6	ACRH5	ACRH4	ACRH3	ACRH2	ACRH1	ACRH0
		Write:								
		Reset:	1	1	1	1	1	1	1	1
\$001B	Alternate Counter Register (ACRL) See page 66.	Read:	ACRL7	ACRL6	ACRL5	ACRL4	ACRL3	ACRL2	ACRL1	ACRL0
		Write:								
		Reset:	1	1	1	1	1	1	1	1
\$001C	EEPROM Programming Register (EEPROG) See page 86.	Read:	0	CPEN	0	ER1	ER0	LATCH	EERC	EEPGM
		Write:								
		Reset:	0	0	0	0	0	0	0	0
\$001D	A/D Conversion Value Data Register (ADC) See page 96.	Read:	AD7	AD6	AD5	AD4	AD3	AD2	AD1	AD0
		Write:								
		Reset:	Unaffected by reset							

= Unimplemented
 = Reserved
 U = Unaffected

Figure 2-3. I/O and Control Registers (Sheet 3 of 4)

Memory Map

Addr.	Register Name		Bit 7	6	5	4	3	2	1	Bit 0	
\$001E	A/D Converter Status and Control Register (ADSCR) <i>See page 94.</i>	Read:	CC	R	ADON	0	0		CH2	CH1	CH0
		Write:									
		Reset:	0	0	0	0	0	0	0	0	0
\$001F	Reserved		R	R	R	R	R	R	R	R	

= Unimplemented
 R = Reserved
 U = Unaffected

Figure 2-3. I/O and Control Registers (Sheet 4 of 4)

2.5 RAM

The user RAM consists of 192 bytes (including the stack) at locations \$0050–\$010F. The stack begins at address \$00FF. The stack pointer can access 64 bytes of RAM from \$00FF to \$00C0.

NOTE: *Using the stack area for data storage or temporary work locations requires care to prevent it from being overwritten due to stacking from an interrupt or subroutine call.*

2.6 ROM

There are 8064 bytes of user ROM available, consisting of:

- 8000 bytes at locations \$1FC0–\$3EFF
- 48 bytes in page zero locations \$0020–\$004F
- 16 additional bytes for user vectors at locations \$3FF0–\$3FFF

NOTE: *Address space \$3F00–\$3FEF is reserved for test code. Unlike other M68HC05 devices, the MC68HC05P18A does not contain self-check code.*

Section 3. Central Processor Unit (CPU)

3.1 Contents

3.2	Introduction	33
3.3	CPU Registers	34
3.3.1	Accumulator	35
3.3.2	Index Register	35
3.3.3	Stack Pointer	35
3.3.4	Program Counter	36
3.3.5	Condition Code Register	37
3.4	Arithmetic/Logic Unit	38

3.2 Introduction

This section describes the central processor unit (CPU) registers.

Central Processor Unit (CPU)

3.3 CPU Registers

Figure 3-1 shows the five CPU registers. CPU registers are not part of the memory map.

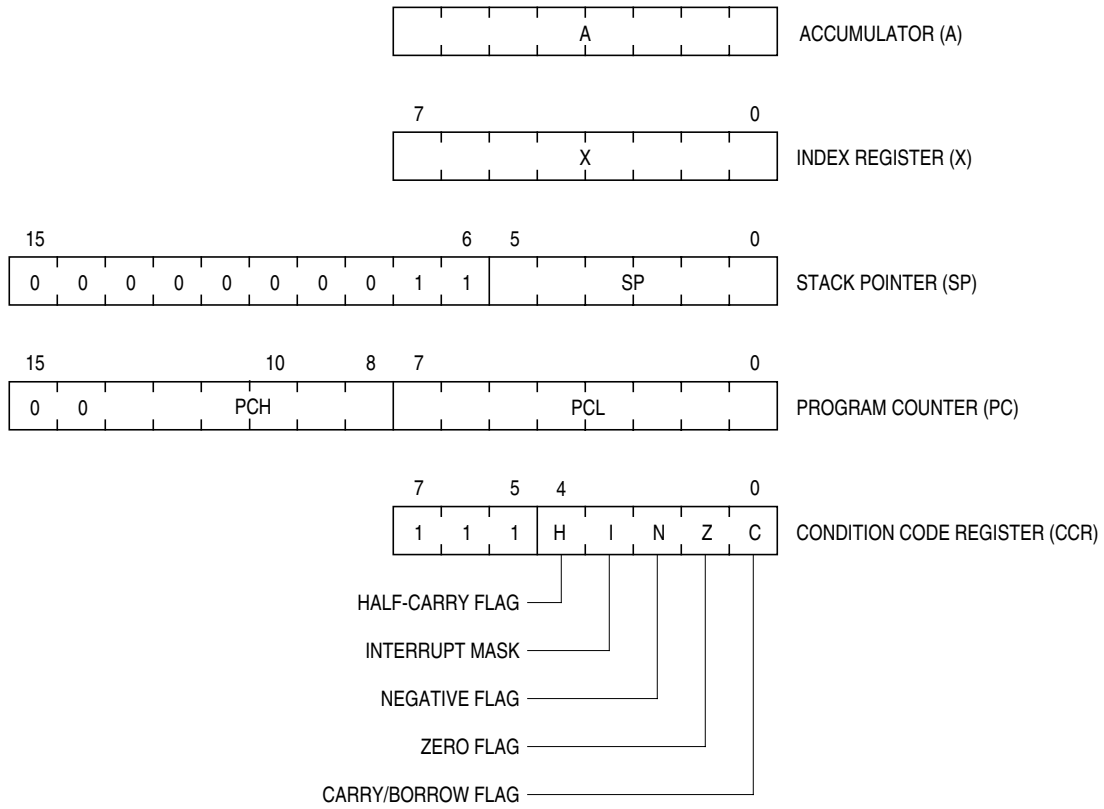


Figure 3-1. Programming Model

Freescale Semiconductor, Inc.

3.3.1 Accumulator

The accumulator (A) is a general-purpose 8-bit register. The CPU uses the accumulator to hold operands and results of arithmetic and non-arithmetic operations.

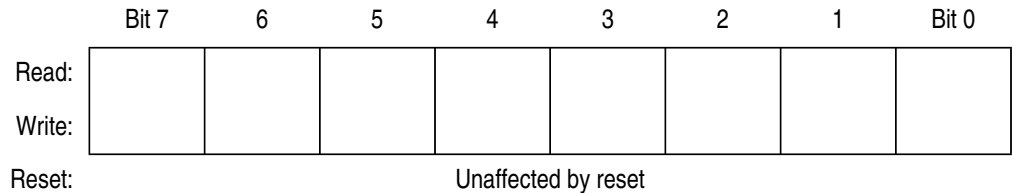


Figure 3-2. Accumulator (A)

3.3.2 Index Register

In the indexed addressing modes, the CPU uses the byte in the index register (X) to determine the conditional address of the operand.

The 8-bit index register can also serve as a temporary data storage location.

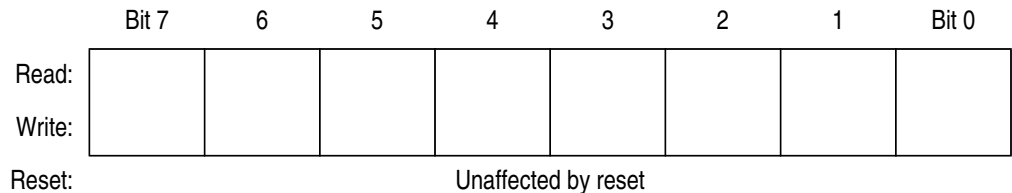


Figure 3-3. Index Register (X)

3.3.3 Stack Pointer

The stack pointer (SP) is a 16-bit register that contains the address of the next location on the stack. During a reset or after the reset stack pointer (RSP) instruction, the stack pointer is preset to \$00FF. The address in the stack pointer decrements as data is pushed onto the stack and increments as data is pulled from the stack.

Central Processor Unit (CPU)

The 10 most significant bits of the stack pointer are permanently fixed at 00000011, so the stack pointer produces addresses from \$00C0 to \$00FF. If subroutines and interrupts use more than 64 stack locations, the stack pointer wraps around to address \$00FF and begins writing over the previously stored data. A subroutine uses two stack locations. An interrupt uses five locations.

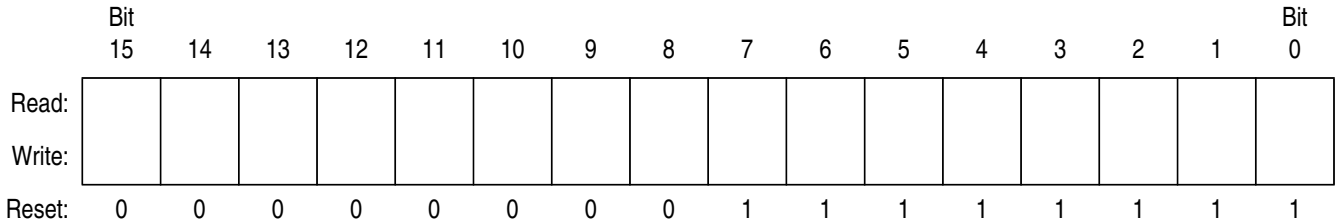


Figure 3-4. Stack Pointer (SP)

3.3.4 Program Counter

The program counter (PC) is a 16-bit register that contains the address of the next instruction or operand to be fetched. The two most significant bits of the program counter are ignored internally and appear as 00.

Normally, the address in the program counter automatically increments to the next sequential memory location every time an instruction or operand is fetched. Jump, branch, and interrupt operations load the program counter with an address other than that of the next sequential location.

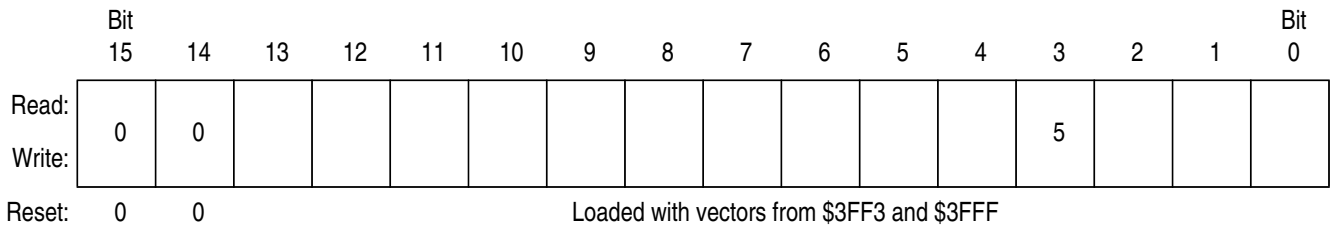


Figure 3-5. Program Counter (PC)

3.3.5 Condition Code Register

The condition code register (CCR) is an 8-bit register whose three most significant bits are permanently fixed at 111. The condition code register contains the interrupt mask and four flags that indicate the results of the instruction just executed. The following paragraphs describe the functions of the condition code register.

	Bit 7	6	5	4	3	2	1	Bit 0
Read:	1	1	1	H	I	N	Z	C
Write:								
Reset:	1	1	1	U	1	U	U	U

= Unimplemented
 U = Unaffected

Figure 3-6. Condition Code Register (CCR)

Half-Carry Flag

The CPU sets the half-carry flag when a carry occurs between bits 3 and 4 of the accumulator during an ADD or ADC operation. The half-carry flag is required for binary coded decimal (BCD) arithmetic operations.

Interrupt Mask

Setting the interrupt mask disables interrupts. If an interrupt request occurs while the interrupt mask is logic 0, the CPU saves the CPU registers on the stack, sets the interrupt mask, and then fetches the interrupt vector. If an interrupt request occurs while the interrupt mask is set, the interrupt request is latched. Normally, the CPU processes the latched interrupt as soon as the interrupt mask is cleared again.

A return-from-interrupt (RTI) instruction pulls the CPU registers from the stack, restoring the interrupt mask to its cleared state. After any reset, the interrupt mask is set and can be cleared only by a software instruction.

Negative Flag

The CPU sets the negative flag when an arithmetic operation, logical operation, or data manipulation produces a negative result.

Zero Flag

The CPU sets the zero flag when an arithmetic operation, logical operation, or data manipulation produces a result of \$00.

Carry/Borrow Flag

The CPU sets the carry/borrow flag when an addition operation produces a carry out of bit 7 of the accumulator or when a subtraction operation requires a borrow. Some logical operations and data manipulation instructions also clear or set the carry/borrow flag.

3.4 Arithmetic/Logic Unit

The arithmetic/logic unit (ALU) performs the arithmetic and logical operations defined by the instruction set.

The binary arithmetic circuits decode instructions and set up the ALU for the selected operation. Most binary arithmetic is based on the addition algorithm, carrying out subtraction as negative addition. Multiplication is not performed as a discrete operation but as a chain of addition and shift operations within the ALU. The multiply instruction (MUL) requires 11 internal clock cycles to complete this chain of operations.

Section 4. Interrupts

4.1 Contents

4.2	Introduction	39
4.3	CPU Interrupt Processing	40
4.4	Interrupt Types	42
4.4.1	Reset Interrupt Sequence	42
4.4.2	Software Interrupt (SWI)	42
4.4.3	Hardware Interrupts	43
4.4.3.1	External Interrupt (\overline{IRQ})	43
4.4.3.2	Input Capture Interrupt	43
4.4.3.3	Output Compare Interrupt	44
4.4.3.4	Timer Overflow Interrupt	44

4.2 Introduction

The MCU can be interrupted six different ways:

1. Non-maskable software interrupt instruction (SWI)
2. External asynchronous interrupt (\overline{IRQ})
3. Input capture interrupt (TIMER)
4. Output compare interrupt (TIMER)
5. Timer overflow interrupt (TIMER)
6. Port A interrupt, if selected as a mask option

4.3 CPU Interrupt Processing

Interrupts cause the processor to save the register contents on the stack and to set the interrupt mask (I bit) to prevent additional interrupts. Unlike reset, hardware interrupts do not cause the current instruction execution to be halted, but are considered pending until the current instruction is completed.

When the current instruction is completed, the processor checks all pending hardware interrupts. If interrupts are not masked (I bit in the condition code register is clear), and the corresponding interrupt enable bit is set, the processor proceeds with interrupt processing. Otherwise, the next instruction is fetched and executed. The SWI is executed the same as any other instruction, regardless of the I-bit state.

When an interrupt is to be processed, the CPU puts the register contents on the stack, sets the I bit in the CCR, and fetches the address of the corresponding interrupt service routine from the vector table at locations \$3FF0–\$3FFF. If more than one interrupt is pending when the interrupt vector is fetched, the interrupt with the highest vector location, shown in **Table 4-1**, is serviced first.

Table 4-1. Vector Address for Interrupts and Reset

Register	Flag Name	Interrupts	CPU Interrupt	Vector Address
N/A	N/A	Reset	RESET	\$3FFE–\$3FFF
N/A	N/A	Software	SWI	\$3FFC–\$3FFD
N/A	N/A	External interrupt	IRQ	\$3FFA–\$3FFB
TSR	ICF	Timer input capture	TIMER	\$3FF8–\$3FF9
TSR	OCF	Timer output compare	TIMER	\$3FF8–\$3FF9
TSR	TOF	Timer overflow	TIMER	\$3FF8–\$3FF9
N/A	N/A	Unimplemented	N/A	\$3FF6–\$3FF7
N/A	N/A	Unimplemented	N/A	\$3FF4–\$3FF5
N/A	N/A	Unimplemented	N/A	\$3FF2–\$3FF3
N/A	N/A	Unimplemented	N/A	\$3FF0–\$3FF1

A return-from-interrupt (RTI) instruction is used to signify when the interrupt software service routine is completed. The RTI instruction

causes the CPU state to be recovered from the stack and normal processing to resume at the next instruction that was to be executed when the interrupt took place. **Figure 4-1** shows the sequence of events that occur during interrupt processing.

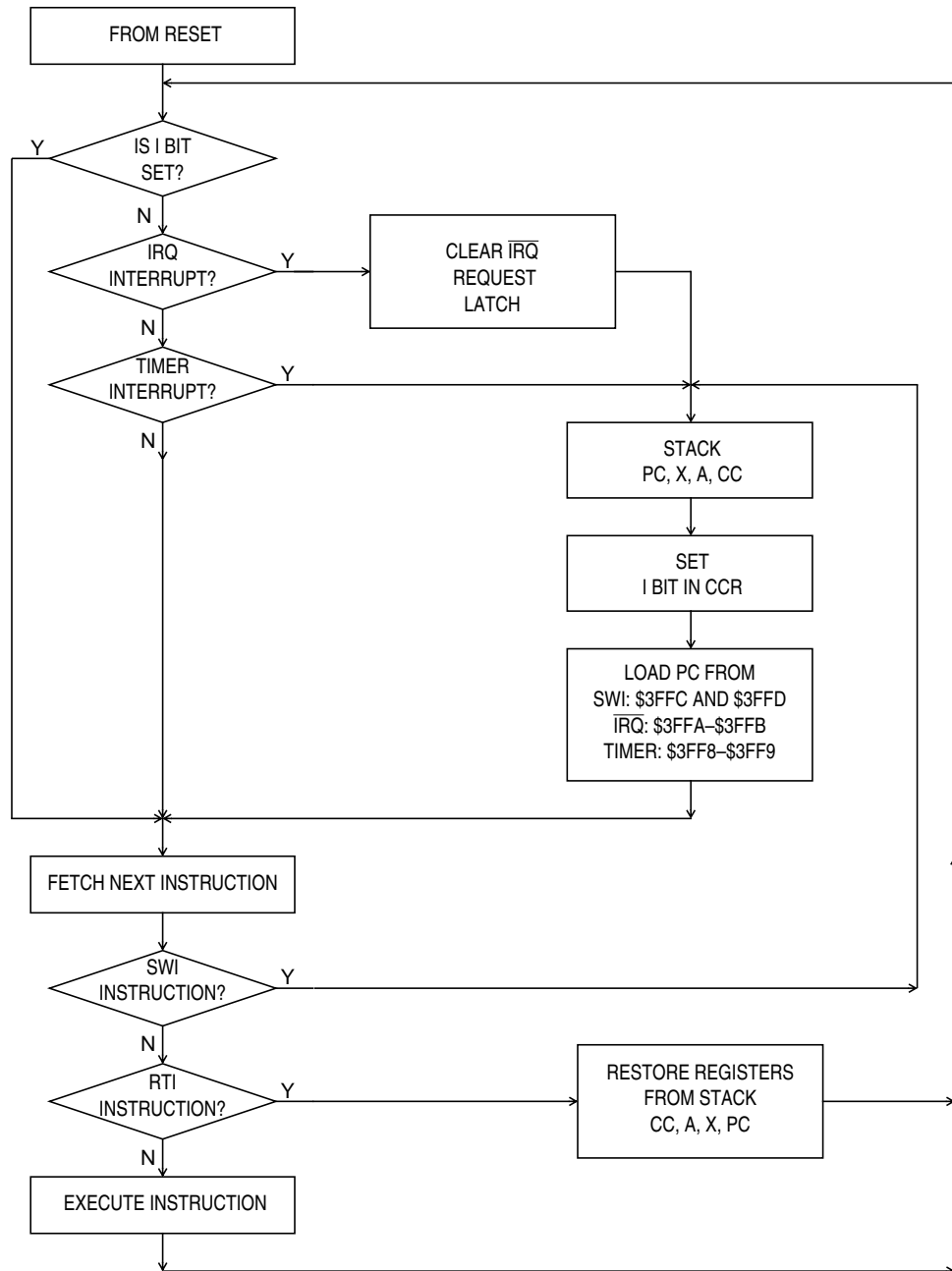


Figure 4-1. Interrupt Processing Flowchart

4.4 Interrupt Types

The interrupts fall into these three categories which are discussed here:

- Reset interrupt sequence
- Software interrupt (SWI)
- Hardware interrupts

4.4.1 Reset Interrupt Sequence

The reset function is not in the strictest sense an interrupt; however, it is acted upon in a similar manner as shown in [Figure 4-1](#). A low-level input on the $\overline{\text{RESET}}$ pin or internally generated RST signal causes:

- The program to vector to its starting address, which is specified by the contents of memory locations \$3FFE and \$3FFF
- The I bit in the condition code register (CCR) to be set
- The MCU to be configured to a known state as described in [Section 5. Resets](#).

4.4.2 Software Interrupt (SWI)

The SWI is an executable instruction. It is also a non-maskable interrupt since it is executed regardless of the state of the I bit in the CCR. As with any instruction, interrupts pending during the previous instruction are serviced before the SWI opcode is fetched. The interrupt service routine address for the SWI instruction is specified by the contents of memory locations \$3FFC and \$3FFD.

4.4.3 Hardware Interrupts

All hardware interrupts are maskable by the I bit in the CCR. If the I bit is set, all hardware interrupts (internal and external) are disabled. Clearing the I bit enables the hardware interrupts.

The four hardware interrupts are explained here:

- External interrupt (\overline{IRQ})
- Input capture interrupt
- Output compare interrupt
- Timer overflow interrupt

4.4.3.1 External Interrupt (\overline{IRQ})

The \overline{IRQ} pin drives an asynchronous interrupt to the CPU. An edge detector flip-flop is latched on the falling edge of \overline{IRQ} . If either the output from the internal edge detector flip-flop or the level on the \overline{IRQ} pin is low, a request is synchronized to the CPU to generate the IRQ interrupt. If the edge-sensitive only mask option is selected, the output of the internal edge detector flip-flop is sampled and the input level on the \overline{IRQ} pin is ignored. If port A interrupts are selected as a mask option, a port A interrupt uses the same vector. The interrupt service routine address is specified by the contents of memory locations \$3FFA and \$3FFB.

NOTE: *The internal interrupt latch is cleared 9 PH2 clock cycles after the interrupt is recognized (after location \$3FFA is read). Therefore, another external interrupt pulse could be latched during the IRQ service routine.*

When the edge- and level-sensitive mask option is selected, the voltage applied to the \overline{IRQ} pin must return to the high state before the return-from-interrupt (RTI) instruction in the interrupt service routine is executed.

4.4.3.2 Input Capture Interrupt

The input capture interrupt is generated by the 16-bit timer as described in [Section 8. 16-Bit Timer](#). The input capture interrupt flag is located in

the timer status register (TSR) and its corresponding enable bit can be found in the timer control register (TCR).

The I bit in the CCR must be clear in order for the input capture interrupt to be enabled. The interrupt service routine address is specified by the contents of memory locations \$3FF8 and \$3FF9.

4.4.3.3 Output Compare Interrupt

The output compare interrupt is generated by the 16-bit timer as described in [Section 8. 16-Bit Timer](#). The output compare interrupt flag is located in register TSR and its corresponding enable bit can be found in register TCR.

The I bit in the CCR must be clear in order for the output compare interrupt to be enabled. The interrupt service routine address is specified by the contents of memory locations \$3FF8 and \$3FF9.

4.4.3.4 Timer Overflow Interrupt

The timer overflow interrupt is generated by the 16-bit timer as described in [Section 8. 16-Bit Timer](#). The timer overflow interrupt flag is located in register TSR and its corresponding enable bit can be found in register TCR.

The I bit in the CCR must be clear in order for the timer overflow interrupt to be enabled. This internal interrupt will vector to the interrupt service routine located at the address specified by the contents of memory locations \$3FF8 and \$3FF9.

Section 5. Resets

5.1 Contents

5.2	Introduction	45
5.3	External Reset ($\overline{\text{RESET}}$)	46
5.4	Internal Resets	46
5.4.1	Power-On Reset (POR)	47
5.4.2	Computer Operating Properly (COP) Reset	47
5.4.3	Low-Voltage Reset (LVR)	48

5.2 Introduction

The MCU can be reset from four sources:

- One external input
- Three internal reset conditions

The $\overline{\text{RESET}}$ pin is an input with a Schmitt trigger as shown in [Figure 5-1](#). The CPU and all peripheral modules are reset by the internal reset signal (RST), which is the logical OR of internal reset functions and is clocked by PH2.

Resets

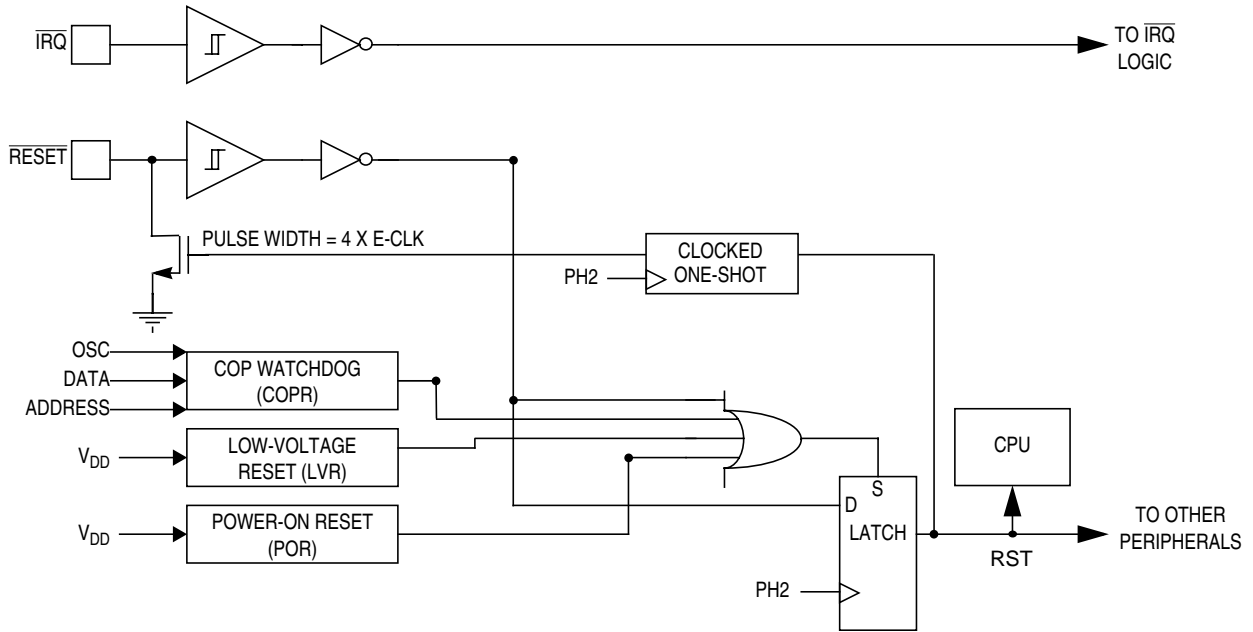


Figure 5-1. Reset Block Diagram

5.3 External Reset ($\overline{\text{RESET}}$)

The $\overline{\text{RESET}}$ input is the only external reset and is connected to an internal Schmitt trigger. The external reset occurs whenever the $\overline{\text{RESET}}$ input is driven below the lower threshold and remains in reset until the $\overline{\text{RESET}}$ pin rises above the upper threshold. The upper and lower thresholds are given in [Section 13. Electrical Specifications](#).

5.4 Internal Resets

The three internally generated resets are:

- Initial power-on reset (POR)
- Computer operating properly (COP) watchdog timer
- Low-voltage reset (LVR)

5.4.1 Power-On Reset (POR)

The internal POR is generated at power-up to allow the clock oscillator to stabilize. The POR is strictly for power turn-on conditions and should not be used to detect a drop in the power supply voltage. There is a 4064 PH2 clock cycle oscillator stabilization delay after the oscillator becomes active.

The POR generates the RST signal and resets the MCU. At the same time, the POR pulls the $\overline{\text{RESET}}$ pin low allowing external devices to be reset with the MCU. If any other reset function is active at the end of this 4064 PH2 clock cycle delay, the RST signal remains active until the other reset condition(s) end.

5.4.2 Computer Operating Properly (COP) Reset

When the COP watchdog timer is enabled by mask option, the internal COP reset is generated automatically by a timeout of the COP watchdog timer. This timer is implemented with an 18-stage ripple counter that provides a timeout period of 65.5 ms when a 4-MHz oscillator is used. The COP watchdog counter is cleared by writing a logical 0 to bit 0 at location \$3FF0.

The COP register is shared with the most-significant bit (MSB) of an unimplemented user interrupt vector, as shown in **Figure 5-2**. Reading this location returns the MSB of the unimplemented user interrupt vector. Writing to this location clears the COP watchdog timer.

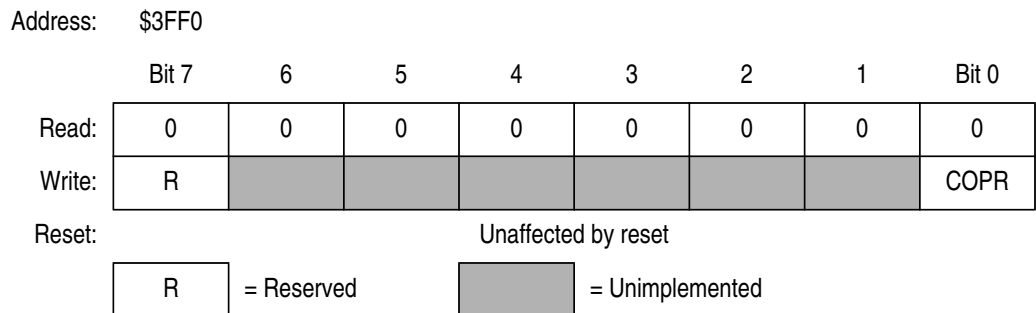


Figure 5-2. COP Register (COPR)

5.4.3 Low-Voltage Reset (LVR)

The internal LVR reset is generated when the supply voltage to the V_{DD} pin falls below a nominal 3.80 Vdc. The LVR threshold is not intended to be an accurate and stable trip point, but is intended to assure that the CPU is held in reset when the V_{DD} supply voltage is below reasonable operating limits. If the LVR is tripped for a short time, the LVR reset signal will last at least two cycles of the CPU bus clock, PH2. A mask option is provided to disable the LVR.

The LVR generates the RST signal, which resets the CPU and other peripherals. If any other reset function is active at the end of the LVR reset signal, the RST signal remains in the reset condition until the other reset condition(s) end.

Section 6. Operating Modes

6.1 Contents

6.2	Introduction	49
6.3	User Mode	50
6.4	Low-Power Modes	50
6.4.1	STOP Instruction	52
6.4.1.1	Stop Mode	52
6.4.1.2	Halt Mode	53
6.4.2	WAIT Instruction	53
6.5	COP Watchdog Timer Considerations	54

6.2 Introduction

The MC68HC05P18A has one user mode of operation and several low-power modes which are described in this section.

6.3 User Mode

The user mode allows the MCU to function as a self-contained microcontroller, with maximum use of the pins for on-chip peripheral functions. All address and data activity occurs within the MCU and is not available externally. User mode is entered on the rising edge of $\overline{\text{RESET}}$ if the $\overline{\text{IRQ}}$ pin is within the normal operating voltage range.

In the user mode, there is:

- An 8-bit input/output (I/O) port
- A second 8-bit I/O port shared with the analog-to-digital (A/D) subsystem
- One 3-bit I/O port shared with the serial input/output port (SIOP)
- One 2-bit I/O port shared with the 16-bit timer subsystem

6.4 Low-Power Modes

The MC68HC05P18A is capable of running in a low-power mode in each of its configurations. The WAIT and STOP instructions provide three modes that reduce the power required for the MCU by stopping various internal clocks and/or the on-chip oscillator. The STOP and WAIT instructions are not normally used if the computer operating properly (COP) watchdog timer is enabled. The stop conversion mask option is used to modify the behavior of the STOP instruction from stop mode to halt mode. The flow of the stop, halt, and wait modes is shown in [Figure 6-1](#).

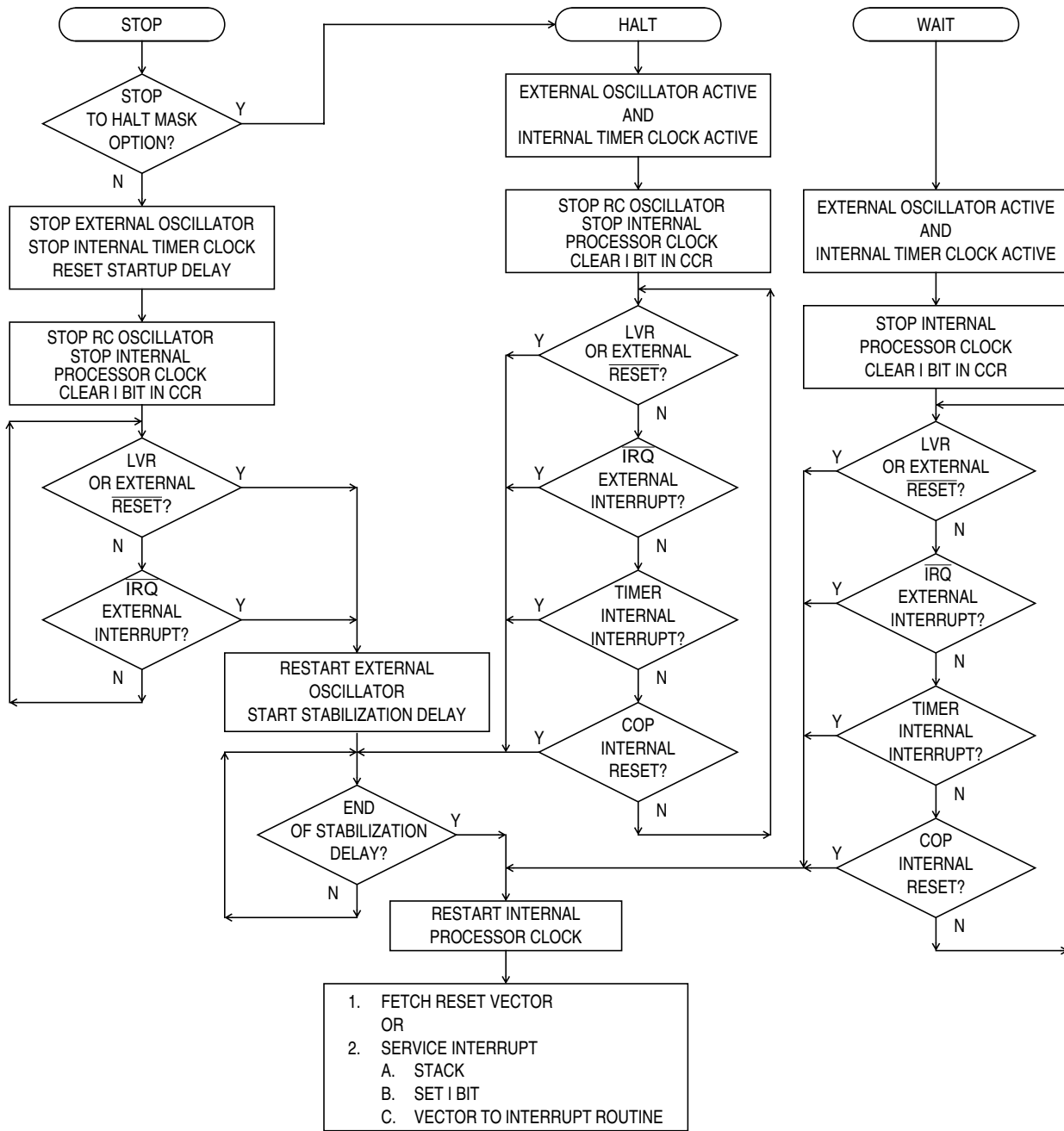


Figure 6-1. Stop, Halt, and Wait Modes Flowchart

6.4.1 STOP Instruction

The STOP instruction can result in one of two modes of operation, depending on the mask option.

1. If the stop conversion to halt mask option is not chosen, the STOP instruction behaves like a normal STOP instruction in the M68HC05 Family and places the MCU in stop mode.
2. If the stop conversion to halt mask option is chosen, the STOP instruction behaves like a WAIT instruction (with the exception of a brief delay at startup) and places the MCU in halt mode.

6.4.1.1 Stop Mode

Execution of the STOP instruction without conversion to halt places the MCU in its lowest power consumption mode. In stop mode, the internal oscillator is turned off, halting *all* internal processing, including the COP watchdog timer. The RC oscillator that feeds the electrically erasable programmable read-only memory (EEPROM) and the A/D converter is also stopped. Execution of the STOP instruction automatically clears the I bit in the condition code register so that the $\overline{\text{IRQ}}$ external interrupt is enabled. All other registers and memory remain unaltered. All input/output lines remain unchanged.

The MCU can be brought out of the stop mode only by:

- An $\overline{\text{IRQ}}$ external interrupt
- Port A external interrupt, if selected as a mask option
- An externally generated reset

When exiting stop mode, the internal oscillator resumes after a 4064 PH2 clock cycle oscillator stabilization delay.

NOTE: *Execution of the STOP instruction without conversion to halt (via mask option) causes the oscillator to stop, and therefore disable the COP watchdog timer. If the COP watchdog timer is to be used, stop mode should be changed to halt mode by selecting the appropriate mask option.*

6.4.1.2 Halt Mode

Execution of the STOP instruction with the conversion to halt places the MCU in this low-power mode. Halt mode consumes the same amount of power as wait mode.

NOTE: *Both halt and wait modes consume more power than stop mode.*

In halt mode the PH2 clock is halted, suspending all processor and internal bus activity. Internal timer clocks remain active, permitting interrupts to be generated from the 16-bit timer or a reset to be generated from the COP watchdog timer. Execution of the STOP instruction automatically clears the I bit in the condition code register, enabling the $\overline{\text{IRQ}}$ external interrupt. All other registers, memory, and input/output lines remain in their previous states.

If the 16-bit timer interrupt is enabled, it causes the processor to exit halt mode and resume normal operation. Halt mode also can be exited when an $\overline{\text{IRQ}}$ external interrupt or external $\overline{\text{RESET}}$ occurs. When exiting halt mode, the PH2 clock resumes after a delay of one to 4064 PH2 clock cycles. This varied delay time is the result of the halt mode exit circuitry testing the oscillator stabilization delay timer (a feature of stop mode) which has been free-running (a feature of wait mode).

NOTE: *Halt mode is not intended for normal use. This feature is provided to keep the COP watchdog timer active in the event a STOP instruction is inadvertently executed.*

6.4.2 WAIT Instruction

The WAIT instruction places the MCU in a low-power mode, which consumes more power than stop mode. In wait mode, the PH2 clock is halted, suspending all processor and internal bus activity. Internal timer clocks remain active, permitting interrupts to be generated from the 16-bit timer and reset to be generated from the COP watchdog timer. Execution of the WAIT instruction automatically clears the I bit in the condition code register, enabling the $\overline{\text{IRQ}}$ external interrupt. All other registers, memory, and input/output lines remain in their previous state.

If the 16-bit timer interrupt is enabled, it causes the processor to exit wait mode and resume normal operation. The 16-bit timer may be used to generate a periodic exit from wait mode. Wait mode may also be exited when an $\overline{\text{IRQ}}$ or $\overline{\text{RESET}}$ occurs.

NOTE: *If port A interrupts are selected as a mask option, the processor also will exit wait mode.*

6.5 COP Watchdog Timer Considerations

The COP watchdog timer is active in the user mode of operation when selected by mask option. Executing the STOP instruction without conversion to halt via mask option causes the COP to be disabled. Therefore, it is recommended that the STOP instruction be modified to produce halt mode via mask option if the COP watchdog timer is enabled.

Furthermore, it is recommended that the COP watchdog timer be disabled for applications that use the halt or wait mode for time periods that exceed the COP timeout period.

COP watchdog timer interactions are summarized in [Table 6-1](#).

Table 6-1. COP Watchdog Timer Recommendations

IF These Conditions Exist:		THEN the COP Watchdog Timer Should:
STOP Instruction	WAIT Time	
Halt mode selected via mask option	WAIT time less than COP timeout	Enable or disable COP via mask option
Halt mode selected via mask option	WAIT time MORE than COP timeout	Disable COP via mask option
Stop mode selected via mask option	Any length WAIT time	Disable COP via mask option

Section 7. Input/Output (I/O) Ports

7.1 Contents

7.2	Introduction	55
7.3	Port A	56
7.4	Port B	57
7.5	Port C	58
7.6	Port D	59
7.7	I/O Port Programming	60

7.2 Introduction

In user mode, 20 bidirectional input/output (I/O) lines are arranged as:

- Two 8-bit I/O ports, port A and port C
- One 3-bit I/O port, port B
- One 1-bit I/O port, port D

These ports are programmable as either inputs or outputs under software control of the data direction registers (DDRs). There is also an input-only pin associated with port D.

Input/Output (I/O) Ports

7.3 Port A

Port A is an 8-bit bidirectional port which can share its pins with the IRQ interrupt system, as shown in **Figure 7-1**. Each port A pin is controlled by the corresponding bits in a data direction register and a data register. The port a data register is located at address \$0000. The port A data direction register (DDRA) is located at address \$0004. Reset clears the DDRA thereby initializing port A as an input port. The port A data register is unaffected by reset.

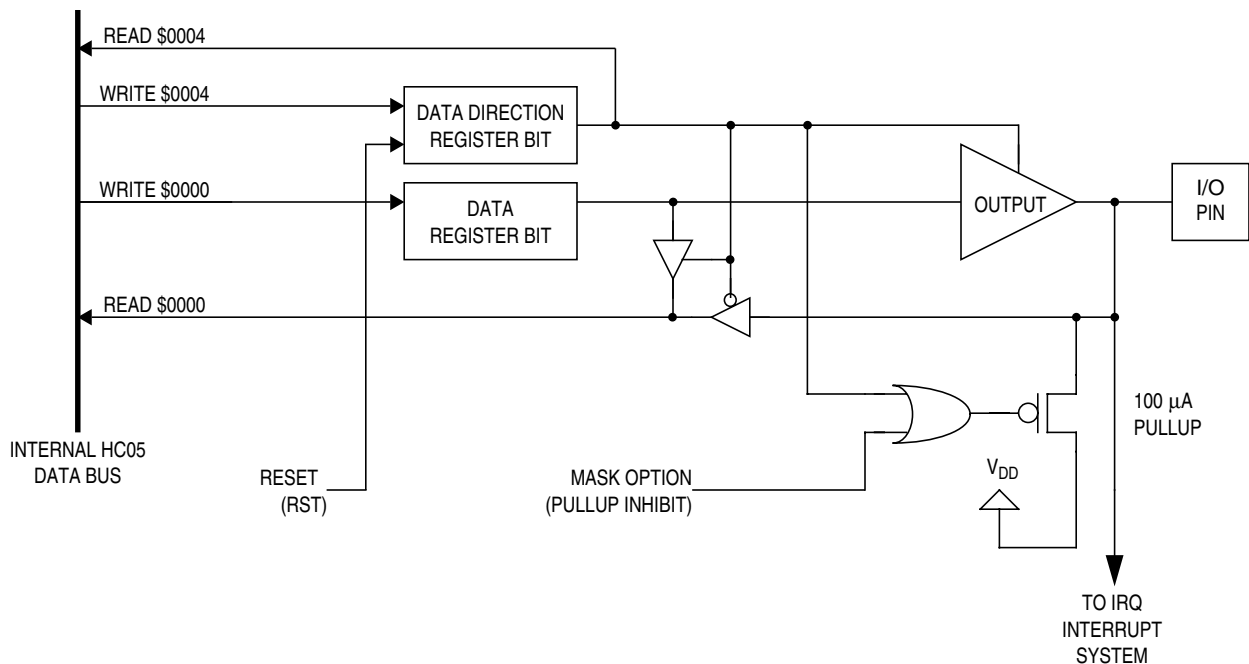


Figure 7-1. Port A I/O Circuitry

Freescale Semiconductor, Inc.

7.4 Port B

Port B is a 3-bit bidirectional port that can share pins PB5–PB7 with the serial input/output port (SIOP) communications subsystem. The port B data register is located at address \$0001 and its data direction register (DDR) is located at address \$0005. Reset does not affect the data registers, but clears the DDRs, thereby setting all of the port pins to input mode. Writing a 1 to a DDR bit sets the corresponding port pin to output mode. Writing a 1 to a DDR bit sets the corresponding port pin to output mode (see [Figure 7-2](#)).

Port B may be used for general I/O applications when the SIOP subsystem is disabled. The SPE bit in register SIOP control register (SPCR) is used to enable/disable the SIOP subsystem. When the SIOP subsystem is enabled, port B registers are still accessible to software. Writing to either of the port B registers while a data transfer is under way could corrupt the data. See [Section 9. Serial Input/Output Ports \(SIOP\)](#) for a discussion of the SIOP subsystem.

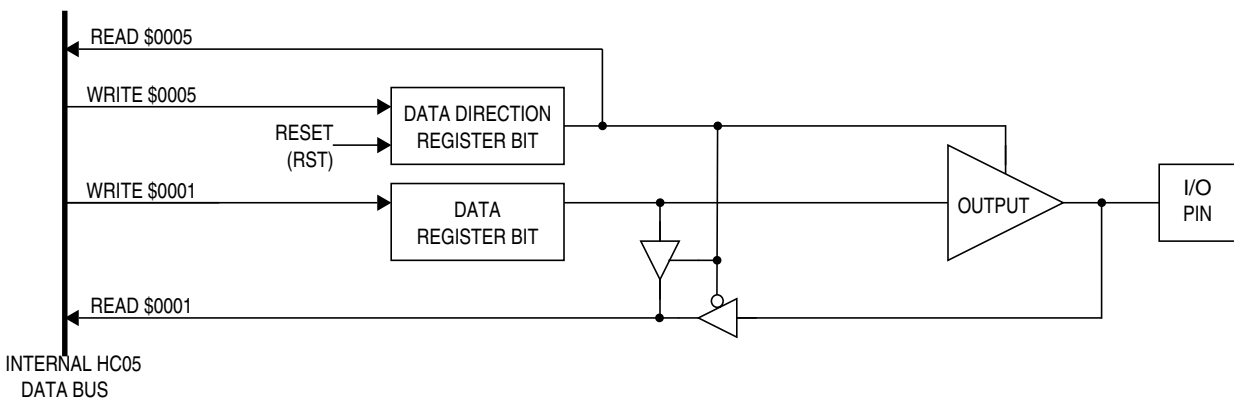


Figure 7-2. Port B I/O Circuitry

Input/Output (I/O) Ports

7.5 Port C

Port C is an 8-bit bidirectional port that can share pins PC3–PC7 with the analog-to-digital (A/D) converter subsystem. The port C data register is located at address \$0002 and its data direction register (DDR) is located at address \$0006. Reset does not affect the data registers, but clears the DDRs, thereby setting all of the port pins to input mode. Writing a 1 to a DDR bit sets the corresponding port pin to output mode (see [Figure 7-3](#)). Two port C pins, PC0 and PC1, can source and sink a higher current than a typical I/O pin. See [Section 13. Electrical Specifications](#) regarding current specifications.

Port C may be used for general I/O applications when the A/D subsystem is disabled. The ADON bit in the A/D status and control register (ADSC) is used to enable/disable the A/D subsystem.

CAUTION: Care must be exercised when using pins PC0–PC2 while the A/D subsystem is enabled. Accidental changes to bits that affect pins PC3–PC7 in the data or DDR registers will produce unpredictable results in the A/D subsystem.

See [Section 11. Analog-to-Digital \(A/D\) Converter](#).

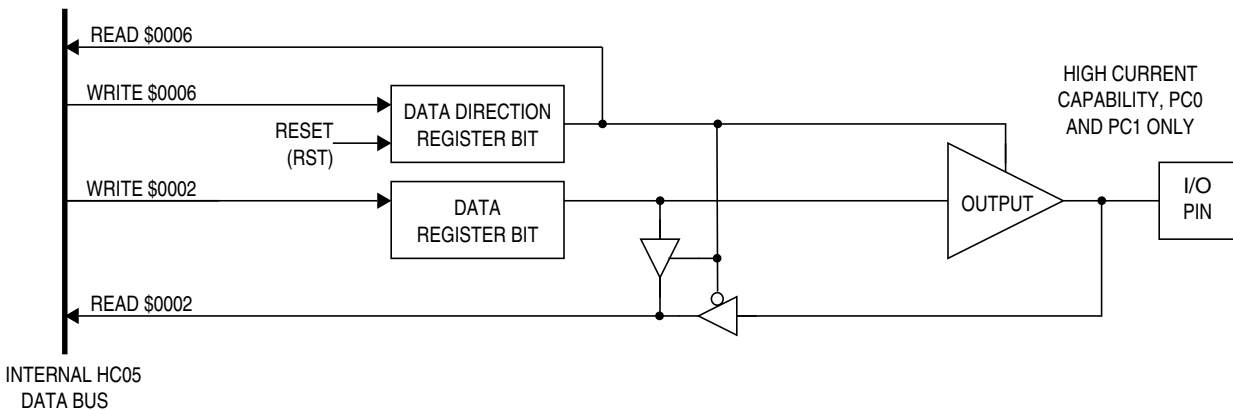


Figure 7-3. Port C I/O Circuitry

7.6 Port D

Port D is a 2-bit port with:

- One bidirectional pin, PD5/CKOUT
- One input-only pin, PD7

Pin PD7 is shared with the 16-bit timer. There is a mask option to have PD5 replaced with the clock output. The port D data register is located at address \$0003 and its data direction register (DDR) is located at address \$0007. Reset does not affect the data registers, but clears the DDRs, thereby setting PD5/CKOUT to input mode. Writing a 1 to DDR bit 5 sets PD5/CKOUT to output mode (see [Figure 7-4](#)).

Port D may be used for general I/O applications regardless of the state of the 16-bit timer. Since PD7 is an input-only line, its state can be read from the port D data register at any time.

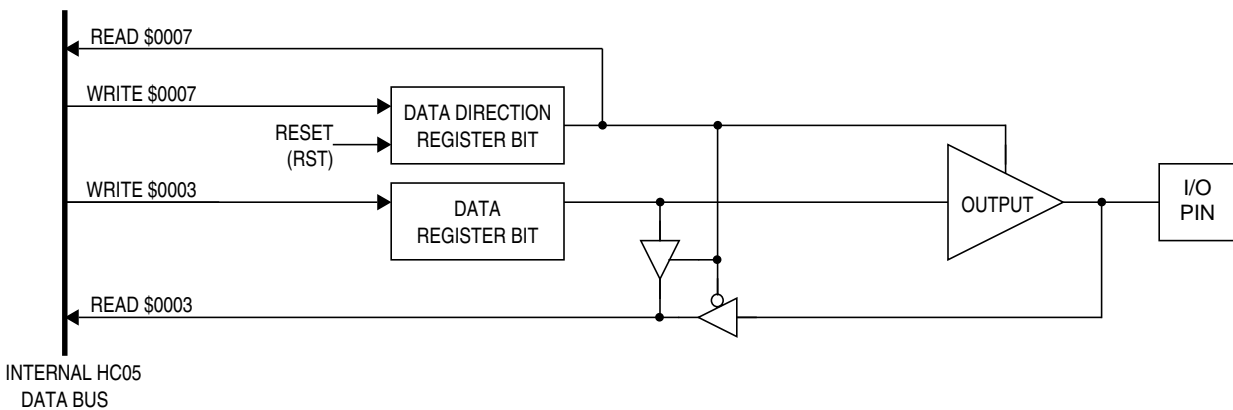


Figure 7-4. Port D I/O Circuitry

7.7 I/O Port Programming

Each pin on ports A through port D, with the exception of pin 7 of port D, may be programmed as an input or an output under software control as shown in [Table 7-1](#), [Table 7-2](#), [Table 7-3](#), and [Table 7-4](#).

The direction of a pin is determined by the state of its corresponding bit in the associated port data direction register (DDR). A pin is configured as an output if its corresponding DDR bit is set to a logic 1. A pin is configured as an input if its corresponding DDR bit is cleared to a logic 0.

Table 7-1. Port A I/O Pin Functions

DDRA	I/O Pin Mode	Access to DDRA @ \$0004	Access to Data Register @ \$0000	
		Read/Write	Read	Write
0	In, Hi-Z	DDRA0–DDRA7	I/O pin	See note
1	Out	DDRA0–DDRA7	PA0–PA7	PA0–PA7

Note: Does not affect input, but stored to data register

Table 7-2. Port B I/O Pin Functions

DDRB	I/O Pin Mode	Access to DDRB @ \$0005	Access to Data Register @ \$0001	
		Read/Write	Read	Write
0	In, Hi-Z	DDRB5–DDRB7	I/O pin	See note
1	Out	DDRB5–DDRB7	PB5–PB7	PB5–PB7

Note: Does not affect input, but stored to data register

Table 7-3. Port C I/O Pin Functions

DDRC	I/O Pin Mode	Access to DDRC @ \$0006	Access to Data Register @ \$0002	
		Read/Write	Read	Write
0	In, Hi-Z	DDRC0–DDRC7	I/O pin	See note
1	Out	DDRC0–DDRC7	PC0–PC7	PC0–PC7

Note: Does not affect input, but stored to data register

Table 7-4. Port D I/O Pin Functions

DDRD	I/O Pin Mode	Access to DDRD @ \$0007	Access to Data Register @ \$0003	
		Read/Write	Read	Write
0	In, Hi-Z	DDRD5	I/O pin	See note
1	Out	DDRD5	PD5/CKOUT	PD5/CKOUT

Note: Does not affect input, but stored to data register
PD7 is input only.

NOTE: *To avoid generating a glitch on an I/O port pin, data should be written to the I/O port data register before writing a logical 1 to the corresponding data direction register.*

Section 8. 16-Bit Timer

8.1 Contents

8.2	Introduction	63
8.3	Timer	65
8.4	Output Compare	68
8.5	Input Capture	70
8.6	Timer Control Register	72
8.7	Timer Status Register	73
8.8	Timer Operation during Wait Mode and Halt Mode	74
8.9	Timer Operating during Stop Mode	74

8.2 Introduction

The MC68HC05P18A MCU contains a single 16-bit programmable timer with an input capture function and an output compare function. The 16-bit timer is driven by the output of a fixed divide-by-four prescaler operating from the PH2 clock. The 16-bit timer may be used for many applications, including input waveform measurement while simultaneously generating an output waveform. Pulse widths can vary from microseconds to seconds depending on the oscillator frequency selected. The 16-bit timer is also capable of generating periodic interrupts. See **Figure 8-1**.

16-Bit Timer

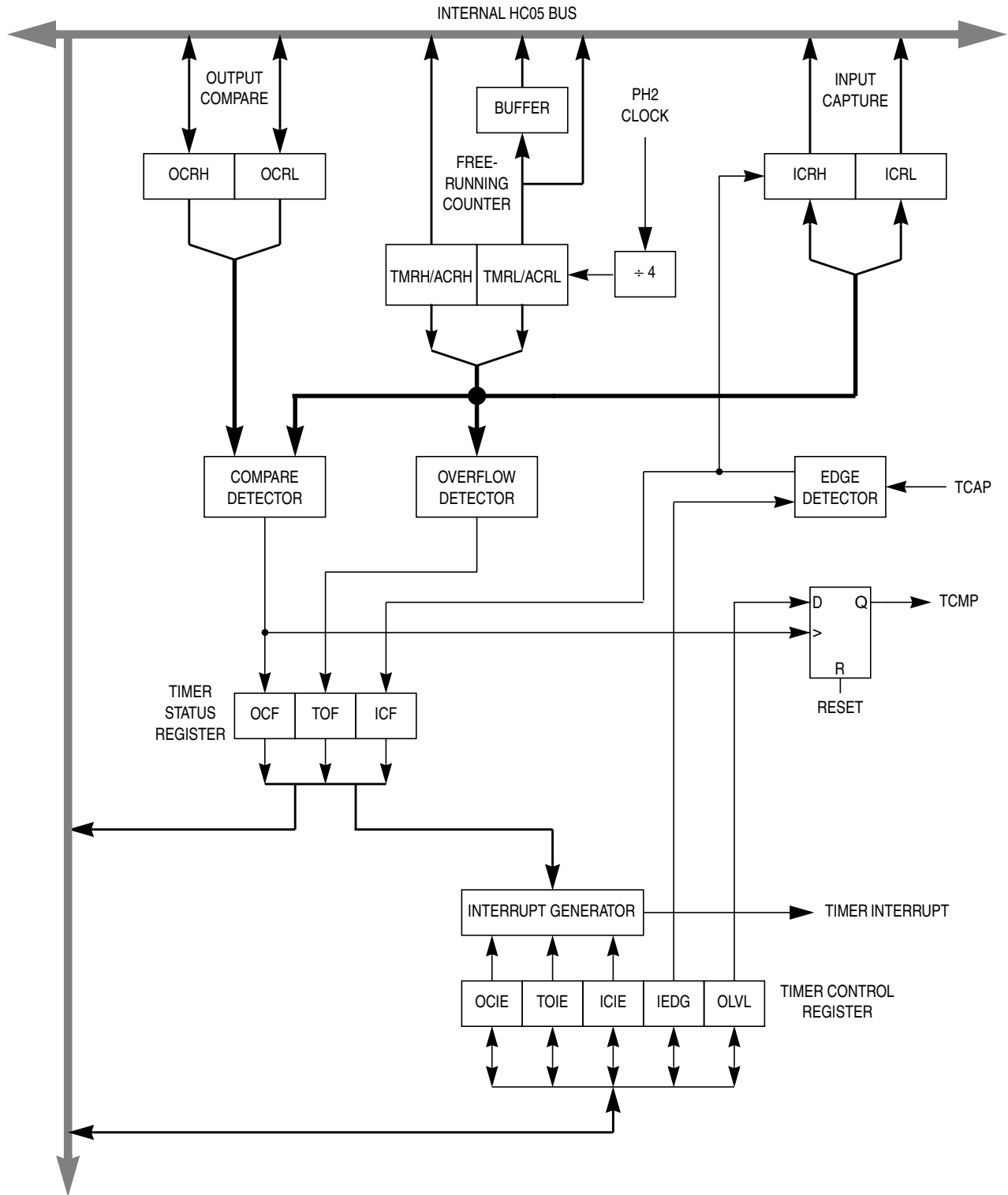


Figure 8-1. 16-Bit Timer Block Diagram

Because the timer has a 16-bit architecture, each function is represented by two registers. Each register pair contains the high and low byte of that function. Generally, accessing the low byte of a specific timer function allows full control of that function; however, an access of the high byte inhibits that specific timer function until the low byte is also accessed.

NOTE: *The I bit in the condition code register (CCR) should be set while manipulating both the high and low byte registers of a specific timer function. This prevents interrupts from occurring between the time that the high and low bytes are accessed.*

8.3 Timer

The key element of the programmable timer is a 16-bit free-running counter, or timer registers, preceded by a prescaler, which divides the PH2 clock by four. The prescaler gives the timer a resolution of 2.0 ms when a 4-MHz crystal is used. The counter is incremented to increasing values during the low portion of the PH2 clock cycle.

The double byte free-running counter can be read from either of two locations:

- The timer registers, TMRH and TMRL
- The alternate counter registers, ACRH and ACRL

Both locations will contain identical values. A read sequence containing only a read of the least-significant bit (LSB) of the counter (TMRL/ACRL) returns the count value at the time of the read. If a read of the counter accesses the most-significant bit (MSB) first (TMRH/ACRH), it causes the LSB (TMRL/ACRL) to be transferred to a buffer. This buffer value remains fixed after the first MSB byte read even if the MSB is read several times. The buffer is accessed when reading the counter LSB (TMRL/ACRL), and thus completes a read sequence of the total counter value. When reading either the timer or alternate counter registers, if the MSB is read, the LSB must also be read to complete the read sequence. See [Figure 8-2](#) and [Figure 8-3](#).

16-Bit Timer

Address: \$0018

	Bit 7	6	5	4	3	2	1	Bit 0
Read:	TMRH7	TMRH6	TMRH5	TMRH4	TMRH3	TMRH2	TMRH1	TMRH0
Write:								
Reset:	1	1	1	1	1	1	1	1

Address: \$0019

	Bit 7	6	5	4	3	2	1	Bit 0
Read:	TMRL7	TMRL6	TMRL5	TMRL4	TMRL3	TMRL2	TMRL1	TMRL0
Write:								
Reset:	1	1	1	1	1	1	1	1


 = Unimplemented

Figure 8-2. Timer Counter Registers (TMRH/TMRL)

Address: \$001A

	Bit 7	6	5	4	3	2	1	Bit 0
Read:	ACRH7	ACRH6	ACRH5	ACRH4	ACRH3	ACRH2	ACRH1	ACRH0
Write:								
Reset:	1	1	1	1	1	1	1	1

Address: \$001B

	Bit 7	6	5	4	3	2	1	Bit 0
Read:	ACRL7	ACRL6	ACRL5	ACRL4	ACRL3	ACRL2	ACRL1	ACRL0
Write:								
Reset:	1	1	1	1	1	1	1	1


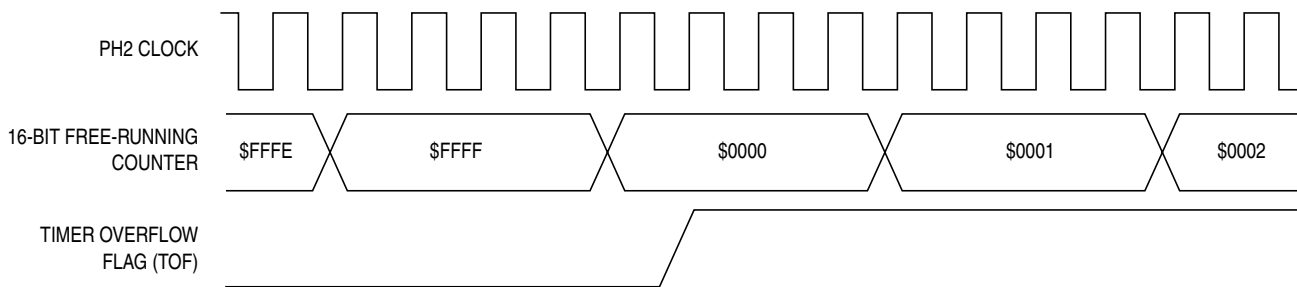
 = Unimplemented

Figure 8-3. Alternate Counter Registers (ACRH/ACRL)

The timer registers and alternate counter registers can be read at any time without affecting their values. However, the alternate counter registers differ from the timer registers in one respect: A read of the timer register MSB can clear the timer overflow flag (TOF). Therefore, the alternate counter registers can be read at any time without the possibility

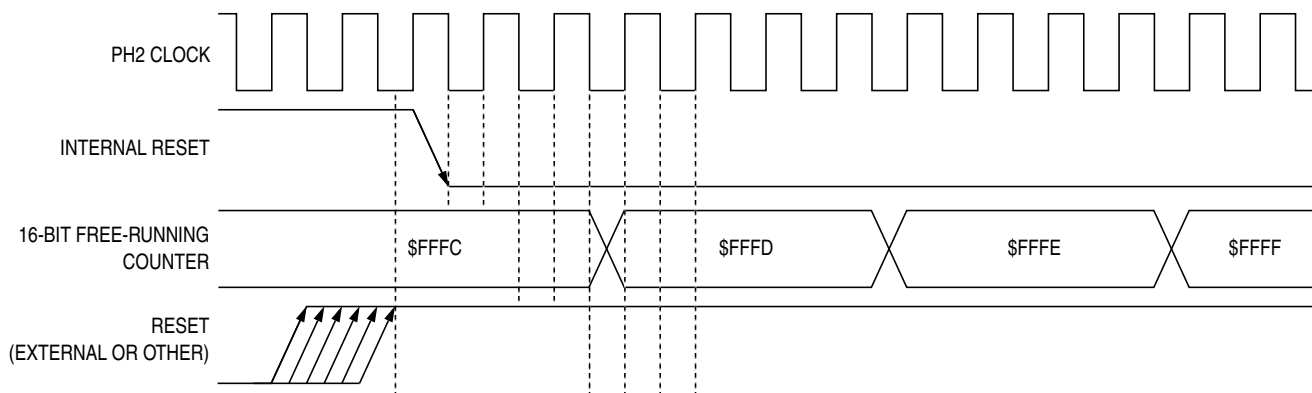
of missing timer overflow interrupts due to clearing of the TOF. See **Figure 8-4**.

The free-running counter is initialized to \$FFFC during reset and is a read-only register. During power-on reset (POR), the counter is initialized to \$FFFC and begins counting after the oscillator startup delay. Since the counter is 16 bits preceded by a fixed divide-by-four prescaler, the value in the counter repeats every 262,144 PH2 clock cycles (524,288 oscillator cycles). When the free-running counter rolls over from \$FFFF to \$0000, the timer overflow flag bit (TOF) in the timer status register (TSR) is set. An interrupt can also be enabled when counter rollover occurs by setting the timer overflow interrupt enable bit (TOIE) in the timer control register (TCR). See **Figure 8-5**.



Note: The TOF bit is set at timer state T11 (transition of counter from \$FFFF to \$0000). It is cleared by reading the timer status register (TSR) during the high portion of the PH2 clock followed by reading the LSB of the counter register pair (TCRL).

Figure 8-4. State Timing Diagram for Timer Overflow



Note: The counter and control registers are the only 16-bit timer registers affected by reset.

Figure 8-5. State Timing Diagram for Timer Reset

8.4 Output Compare

The output compare function may be used to generate an output waveform and/or as an elapsed time indicator. All of the bits in the output compare register pair, OCRH/OCRL, are readable and writable and are not altered by the 16-bit timer's control logic. Reset does not affect the contents of these registers. If the output compare function is not utilized, its registers may be used for data storage. See [Figure 8-6](#).

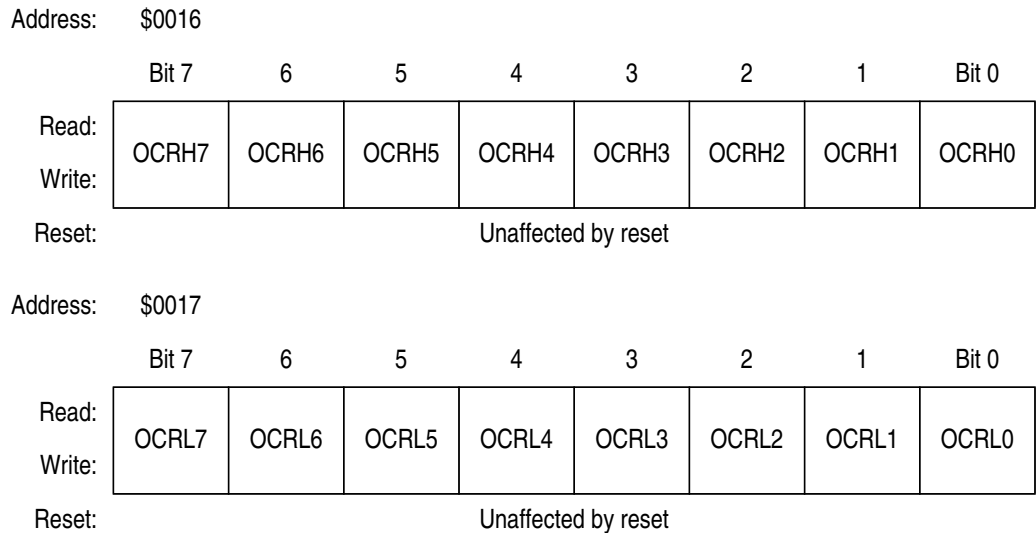


Figure 8-6. Output Compare Registers (OCRH/OCRL)

The contents of the output compare registers are compared with the contents of the free-running counter once every four PH2 clock cycles. If a match is found, the output compare flag bit (OCF) is set and the output level bit (OLVL) is clocked to the output latch. The values in the output compare registers and output level bit should be changed after each successful comparison to control an output waveform or to establish a new elapsed timeout. An interrupt can also accompany a successful output compare if the output compare interrupt enable bit (OCIE) is set.

After a CPU write cycle to the MSB of the output compare register pair (OCRH), the output compare function is inhibited until the LSB (OCRL) is written. Both bytes must be written if the MSB is written. A write made only to the LSB will not inhibit the compare function. The free-running

counter increments every four PH2 clock cycles. The minimum time required to update the output compare registers is a function of software rather than hardware.

The output compare output level bit (OLVL) will be clocked to its output latch regardless of the state of the output compare flag bit (OCF). A valid output compare must occur before the OLVL bit is clocked to its output latch (TCMP).

Since neither the output compare flag (OCF) nor the output compare registers are affected by reset, care must be exercised when initializing the output compare function. This procedure is recommended:

1. Block interrupts by setting the I bit in the condition code register (CCR).
2. Write the MSB of the output compare register pair (OCRH) to inhibit further compares until the LSB is written.
3. Read the timer status register (TSR) to arm the output compare flag (OCF).
4. Write the LSB of the output compare register pair (OCRL) to enable the output compare function and to clear its flag and interrupt.
5. Unblock interrupts by clearing the I bit in the CCR.

This procedure prevents the output compare flag bit (OCF) from being set between the time it is read and the time the output compare registers are updated. A software example is shown in [Figure 8-7](#).

9B		SEI		BLOCK INTERRUPTS
•	•	•	•	•
•	•	•	•	•
B6	XX	LDA	DATAH	HI BYTE FOR COMPARE
BE	XX	LDX	DATAL	LOW BYTE FOR COMPARE
B7	16	STA	OCRH	INHIBIT OUTPUT COMPARE
B6	13	LDA	TSR	ARM OCF BIT TO CLEAR
BF	17	STX	OCRL	READY FOR NEXT COMPARE
•	•	•	•	•

Figure 8-7. Output Compare Software Initialization Example

8.5 Input Capture

Two 8-bit read-only registers (ICRH and ICRL) make up the 16-bit input capture. They are used to latch the value of the free-running counter after a defined transition is sensed by the input capture edge detector.

NOTE: *The input capture edge detector contains a Schmitt trigger to improve noise immunity.*

The edge that triggers the counter transfer is defined by the input edge bit (IEDG) in TCR. Reset does not affect the contents of the input capture registers. See [Figure 8-8](#).

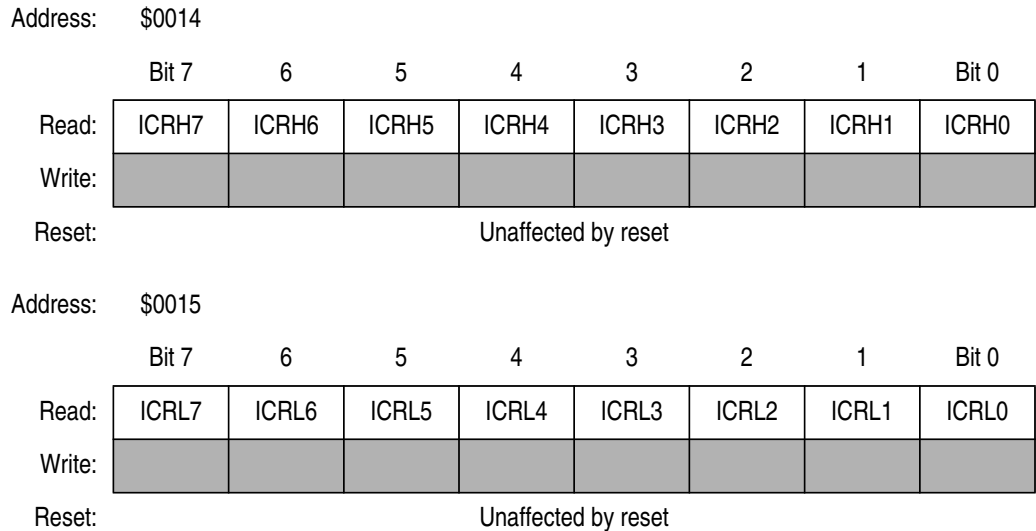


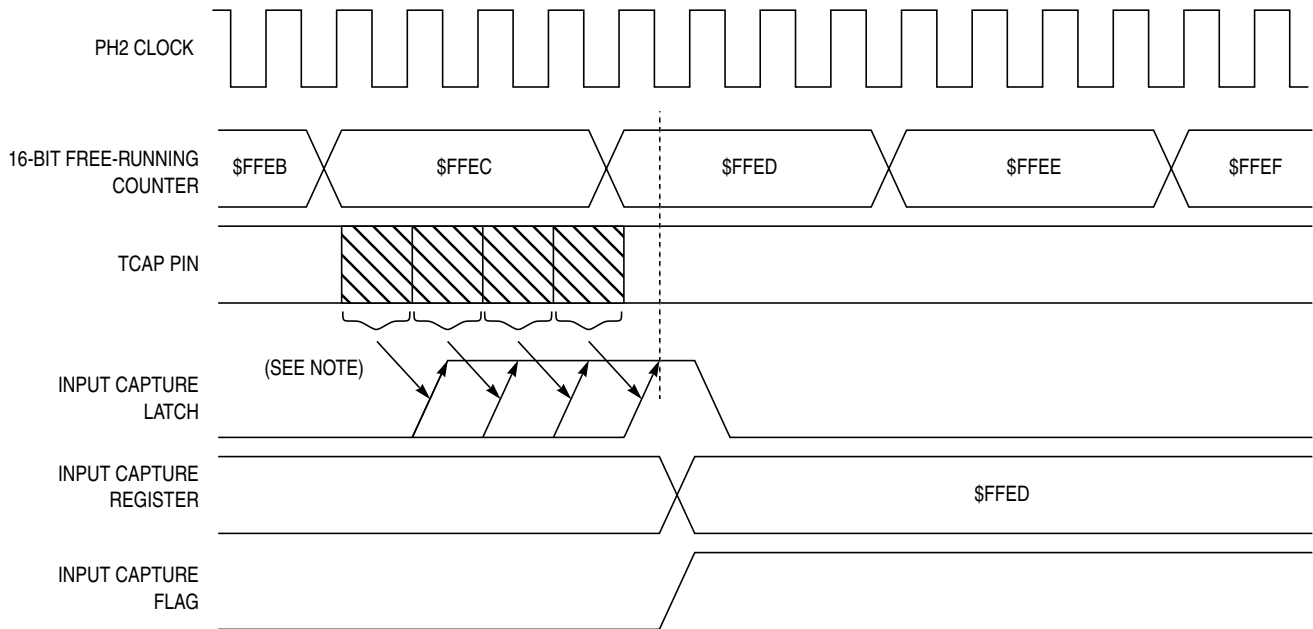
Figure 8-8. Input Capture Registers (ICRH/ICRL)

The result obtained by an input capture will be one more than the value of the free-running counter on the rising edge of the PH2 clock preceding the external transition (see [Figure 8-9](#)). This delay is required for internal synchronization. Resolution is affected by the prescaler, allowing the free-running counter to increment once every four PH2 clock cycles.

The contents of the free-running counter are transferred to the input capture registers on each proper signal transition regardless of the state of the input capture flag bit (ICF) in register TSR. The input capture registers always contain the free-running counter value which corresponds to the most recent input capture.

After a read of the MSB of the input capture register pair (ICRH), counter transfers are inhibited until the LSB of the register pair (ICRL) is also read. This characteristic forces the minimum pulse period attainable to be determined by the time required to execute an input capture software routine in an application.

Reading the LSB of the input capture register pair (ICRL) does not inhibit transfer of the free-running counter. Again, minimum pulse periods are ones which allow software to read the LSB of the register pair (ICRL) and perform needed operations. There is no conflict between reading the LSB (ICRL) and the free-running counter transfer since they occur on opposite edges of the PH2 clock.



Note: If the input edge occurs in the shaded area from one T10 timer state to the other T10 timer state, the input capture flag is set during the next T11 timer state.

Figure 8-9. State Timing Diagram for Input Capture

8.6 Timer Control Register

The timer control (TCR) shown in [Figure 8-10](#) and free-running counter (TMRH, TMRL, ACRH, ACRL) registers are the only registers of the 16-bit timer affected by reset. The output compare port (TCMP) is forced low after reset and remains low until OLVL is set and a valid output compare occurs.

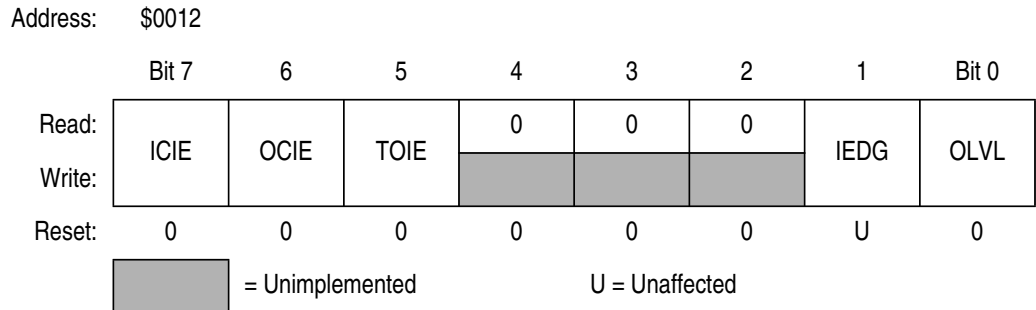


Figure 8-10. Timer Control Register (TCR)

ICIE — Input Capture Interrupt Enable Bit

Bit 7, when set, enables input capture interrupts to the CPU. The interrupt will occur at the same time bit 7 (ICF) in the TSR register is set.

OCIE — Output Compare Interrupt Enable Bit

Bit 6, when set, enables output compare interrupts to the CPU. The interrupt will occur at the same time bit 6 (OCF) in the TSR register is set.

TOIE — Timer Overflow Interrupt Enable Bit

Bit 5, when set, enables timer overflow (rollover) interrupts to the CPU. The interrupt will occur at the same time bit 5 (TOF) in the TSR register is set.

IEDG — Input Capture Edge Select Bit

Bit 1 selects which edge of the input capture signal will trigger a transfer of the contents of the free-running counter registers to the input capture registers. Clearing this bit will select the falling edge, setting it selects the rising edge.

OLVL — Output Compare Output Level Select Bit

Bit 0 selects the output level (high or low) that is clocked into the output compare output latch at the next successful output compare.

8.7 Timer Status Register

Reading the timer status register (TSR) satisfies the first condition required to clear status flags and interrupts (see [Figure 8-11](#)). The only remaining step is to read (or write) the register associated with the active status flag (and/or interrupt). This method does not present any problems for input capture or output compare functions.

However, a problem can occur when using a timer interrupt function and reading the free-running counter at random times to, for example, measure an elapsed time. If the proper precautions are not designed into the application software, a timer interrupt flag (TOF) could unintentionally be cleared if:

1. The TSR is read when bit 5 (TOF) is set.
2. The LSB of the free-running counter is read, but not for the purpose of servicing the flag or interrupt.

The alternate counter registers (ACRH and ACRL) contain the same values as the timer registers (TMRH and TMRL). Registers ACRH and ACRL can be read at any time without affecting the timer overflow flag (TOF) or interrupt.

Address: \$0013

	Bit 7	6	5	4	3	2	1	Bit 0
Read:	ICF	OCF	TOF	0	0	0	0	0
Write:								
Reset:	U	U	U	0	0	0	0	0

= Unimplemented
 U = Unaffected

Figure 8-11. Timer Status Register (TSR)

ICF — Input Capture Flag

Bit 7 is set when the edge specified by IEDG in register TCR has been sensed by the input capture edge detector fed by pin TCAP. This flag, and the input capture interrupt, can be cleared by reading register TSR followed by reading the LSB of the input capture register pair (ICRL).

OCF — Output Compare Bit

Bit 6 is set when the contents of the output compare registers match the contents of the free-running counter. This flag, and the output compare interrupt, can be cleared by reading register TSR followed by writing the LSB of the output compare register pair (OCRL).

TOF — Timer Overflow Flag

Bit 5 is set by a rollover of the free-running counter from \$FFFF to \$0000. This flag, and the timer overflow interrupt, can be cleared by reading register TSR followed by reading the LSB of the timer register pair (TMRL).

8.8 Timer Operation during Wait Mode and Halt Mode

During wait mode and halt mode the 16-bit timer continues to operate normally and may generate an interrupt to trigger the MCU out of the wait mode and halt mode.

8.9 Timer Operating during Stop Mode

When the MCU enters the stop mode, the free-running counter stops counting. (The PH2 clock is stopped.) It remains at that particular count value until the stop mode is exited by applying a low signal to the $\overline{\text{IRQ}}$ pin, at which time the counter resumes from its stopped value as if nothing had happened. If stop mode is exited via an external $\overline{\text{RESET}}$ (logic low applied to the $\overline{\text{RESET}}$ pin), the counter is forced to \$FFFC.

If a valid input capture edge occurs at the TCAP pin during stop mode, the input capture detect circuitry is armed. This action does not set any flags or wake up the MCU, but when the MCU does wake up there will

be an active input capture flag (and data) from the first valid edge. If the stop mode is exited by an external $\overline{\text{RESET}}$, no input capture flag or data will be present even if a valid input capture edge was detected during stop mode.

Section 9. Serial Input/Output Ports (SIOP)

9.1 Contents

9.2	Introduction	77
9.3	SIOP Signal Format	78
9.3.1	Serial Clock (SCK)	78
9.3.2	Serial Data Input (SDI)	79
9.3.3	Serial Data Output (SDO).	79
9.4	SIOP Registers.	80
9.4.1	SIOP Control Register	80
9.4.2	SIOP Status Register	82
9.4.3	SIOP Data Register	83

9.2 Introduction

The simple synchronous serial input/output (I/O) port (SIOP) subsystem is designed to provide efficient serial communications between peripheral devices or other MCUs. The SIOP is implemented as a 3-wire master/slave system with:

- Serial clock (SCK)
- Serial data input (SDI)
- Serial data output (SDO)

A block diagram of the SIOP is shown in [Figure 9-1](#).

The SIOP subsystem shares its input/output pins with port B. When the SIOP is enabled, SPE bit set in the SIOP control register (SCR), port B data direction register (DDR), and data register are modified by the SIOP. Although port B DDR and data registers can be altered by

Serial Input/Output Ports (SIOP)

application software, these actions could affect the transmitted or received data.

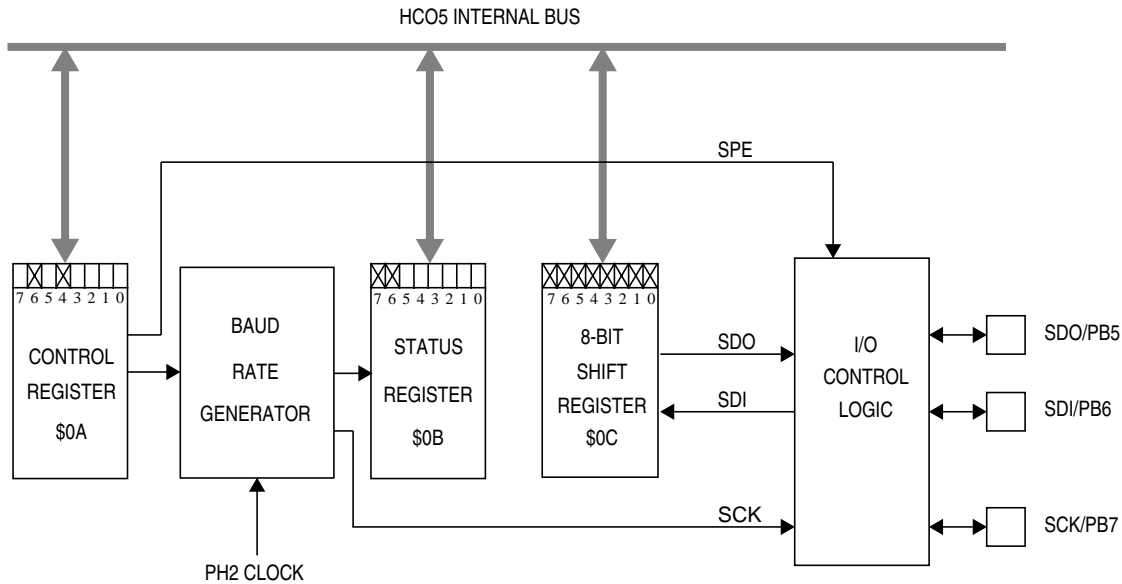


Figure 9-1. SIOP Block Diagram

9.3 SIOP Signal Format

The SIOP subsystem is software configurable for master or slave operation. There are no external mode selection inputs available (for example, slave select pin).

9.3.1 Serial Clock (SCK)

The state of the SCK output normally remains a logic 1 during idle periods between data transfers. The first falling edge of SCK signals the beginning of a data transfer. At this time the first bit of received data is accepted at the SDI pin and the first bit of transmitted data is presented at the SDO pin (see Figure 9-2). Data is captured at the SDI pin on the rising edge of SCK, and the first bit of transmitted data is presented at the SDO pin. The transfer is terminated upon the eighth rising edge of SCK.

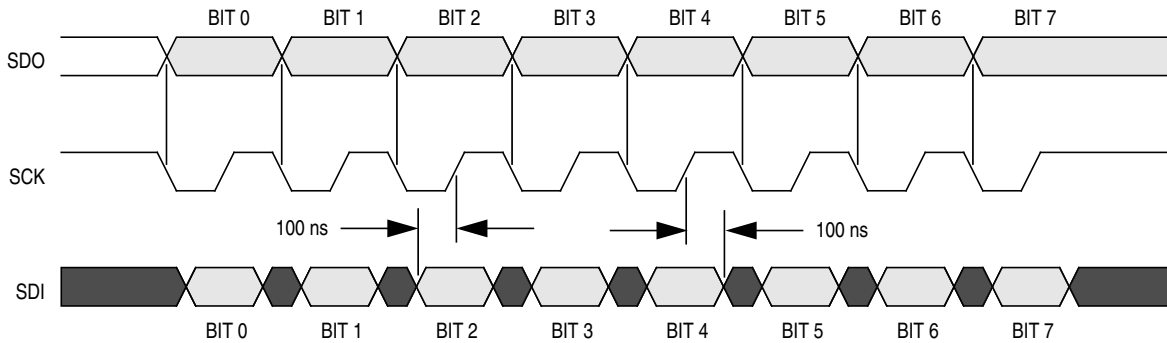


Figure 9-2. SIOP Timing Diagram

The master and slave modes of operation differ only by the sourcing of SCK. In master mode, SCK is driven from an internal source within the MCU. In slave mode, SCK is driven from a source external to the MCU. The SCK frequency is mask option selectable. Available rates are OSC divided by 2, 4, 8, or 16.

NOTE: OSC divided by 2 is four times faster than the standard rate available on the 68HC05P6.

Refer to [1.4 Mask Options](#) for a description of available mask options.

9.3.2 Serial Data Input (SDI)

The SDI pin becomes an input as soon as the SIOP subsystem is enabled. New data is presented to the SDI pin on the falling edge of SCK. Valid data must be present at least 100 ns before the rising edge of SCK and remain valid for 100 ns after the rising edge of SCK. See [Figure 9-2](#).

9.3.3 Serial Data Output (SDO)

The SDO pin becomes an output as soon as the SIOP subsystem is enabled. Prior to enabling the SIOP, PB5 can be initialized to determine the beginning state. While the SIOP is enabled, PB5 cannot be used as a standard output since that pin is connected to the last stage of the SIOP serial shift register. A mask option is included to allow the data to

Serial Input/Output Ports (SIOP)

be transmitted in either most-significant bit (MSB) first format or the least-significant bit (LSB) format.

On the first falling edge of SCK, the first data bit will be shifted out to the SDO pin. The remaining data bits will be shifted out to the SDI pin on subsequent falling edges of SCK. The SDO pin will present valid data at least 100 ns before the rising edge of the SCK and remain valid for 100 ns after the rising edge of SCK. See **Figure 9-2**.

9.4 SIOP Registers

The SIOP is programmed and controlled by these registers:

- SIOP control register (SCR) located at address \$000A
- SIOP status register (SSR) located at address \$000B
- SIOP data register (SDR) located at address \$000C

9.4.1 SIOP Control Register

This register is located at address \$000A and contains two bits.

Figure 9-3 shows the position of each bit in the register and indicates the value of each bit after reset.

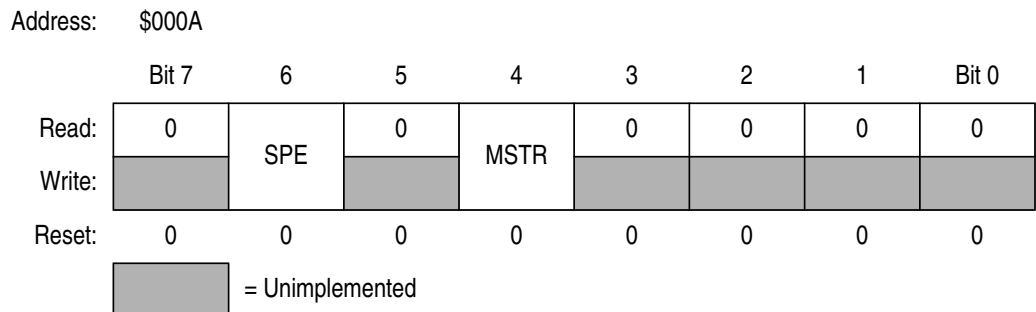


Figure 9-3. SIOP Control Register (SCR)

SPE — Serial Peripheral Enable Bit

When set, the SPE bit enables the SIOP subsystem such that SDO/PB5 is the serial data output, SDI/PB6 is the serial data input, and SCK/PB7 is a serial clock input in the slave mode or a serial clock output in the master mode. The port B DDR and data registers can be manipulated as usual (except for PB5); however, these actions could affect the transmitted or received data.

The SPE bit is readable and writable at any time. Clearing the SPE bit while a transmission is in progress will:

1. Abort the transmission
2. Reset the serial bit counter
3. Convert the port B/SIOP port to a general-purpose I/O port

Reset clears the SPE bit.

MSTR — Master Mode Select Bit

When set, the MSTR bit configures the serial I/O port for master mode. A transfer is initiated by writing to the SDR. Also, the SCK pin becomes an output providing a synchronous data clock dependent upon the oscillator frequency. When the device is in slave mode, the SDO and SDI pins do not change function. These pins behave exactly the same in both the master and slave modes.

The MSTR bit is readable and writable at any time regardless of the state of the SPE bit. Clearing the MSTR bit will abort any transfers that may have been in progress. Reset clears the MSTR bit, placing the SIOP subsystem in slave mode.

Serial Input/Output Ports (SIOP)

9.4.2 SIOP Status Register

This register is located at address \$000B and contains two bits. **Figure 9-4** shows the position of each bit in the register and indicates the value of each bit after reset.

Address: \$000B

	Bit 7	6	5	4	3	2	1	Bit 0
Read:	SPIF	DCOL	0	0	0	0	0	0
Write:								
Reset:	0	0	0	0	0	0	0	0


 = Unimplemented

Figure 9-4. SIOP Status Register (SSR)

SPIF — Serial Port Interface Flag

SPIF is a read-only status bit that is set on the last rising edge of SCK and indicates that a data transfer has been completed. It has no effect on any future data transfers and can be ignored. The SPIF bit is cleared by reading the SSR followed by a read or write of the SDR. If the SPIF is cleared before the last rising edge of SCK it will be set again on the last rising edge of SCK. Reset clears the SPIF bit.

DCOL — Data Collision Bit

DCOL is a read-only status bit, which indicates that an illegal access of the SDR has occurred. The DCOL bit will be set when reading or writing the SDR after the first falling edge of SCK and before SPIF is set. Reading or writing the SDR during this time will result in invalid data being transmitted or received.

The DCOL bit is cleared by reading the SSR (when the SPIF bit is set) followed by a read or write of the SDR. If the last part of the clearing sequence is done after another transfer has started, the DCOL bit will be set again. Reset clears the DCOL bit.

9.4.3 SIOP Data Register

This register is located at address \$000C and serves as both the transmit and receive data register. Writing to this register will initiate a message transmission if the SIOP is in master mode. The SIOP subsystem is not double buffered and any write to this register will destroy the previous contents. The SDR can be read at any time; however, if a transfer is in progress, the results may be ambiguous and the DCOL bit will be set. Writing to the SDR while a transfer is in progress can cause invalid data to be transmitted and/or received.

Figure 9-5 shows the position of each bit in the register. This register is not affected by reset.

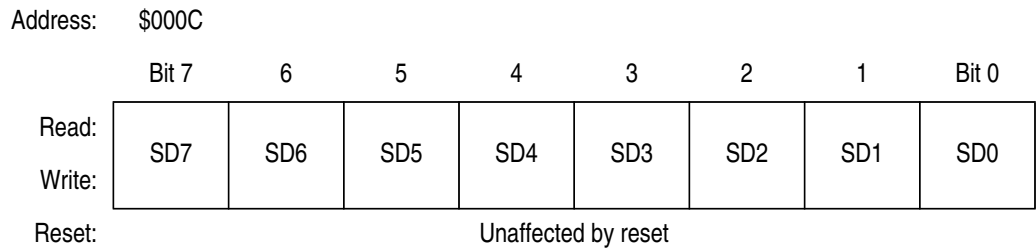


Figure 9-5. SIOP Data Register (SDR)

Section 10. EEPROM

10.1 Contents

10.2	Introduction	85
10.3	EEPROM Programming Register	86
10.4	Programming/Erasing Procedures	88

10.2 Introduction

The electrically erasable programmable read-only memory (EEPROM) is located at address \$0140 and consists of 128 bytes. Programming the EEPROM can be done by the user on a single byte basis by manipulating the programming register, located at address \$001C.

10.3 EEPROM Programming Register

The contents and use of the programming register (EEPROG) are discussed here.

Address: \$001C



Figure 10-1. EEPROM Programming Register (EEPROG)

CPEN — Charge Pump Enable Bit

When set, CPEN enables the charge pump that produces the internal EEPROM programming voltage. This bit should be set concurrently with the LATCH bit. The programming voltage will not be available until EEGM is set. The charge pump should be disabled when not in use. CPEN is readable and writable and is cleared by reset.

ER1 and ER0 — Erase Select Bits

ER1 and ER0 form a 2-bit field that is used to select one of three erase modes: byte, block, or bulk. [Table 10-1](#) shows the modes selected for each bit configuration. These bits are readable and writable and are cleared by reset.

Table 10-1. Erase Mode Select

ER1	ER0	Mode
0	0	Program, no erase
0	1	Byte erase
1	0	Block erase
1	1	Bulk erase

In byte erase mode, only the selected byte is erased. In block mode, a 32-byte block of EEPROM is erased. The EEPROM memory space is divided into four 32-byte blocks (\$140–\$15F, \$160–\$17F, \$180–\$19F, \$1A0–\$1BF), and doing a block erase to any address within a block erases the entire block. In bulk erase mode, the entire 128-byte EEPROM section is erased.

LATCH — EEPROM Programming Latch Bit

When set, LATCH configures the EEPROM address and data bus for programming. When LATCH is set, writes to the EEPROM array cause the data bus and the address bus to be latched. This bit is readable and writable, but reads from the array are inhibited if the LATCH bit is set and a write to the EEPROM space has taken place. When clear, address and data buses are configured for normal operation. Reset clears this bit.

EERC — EEPROM RC Oscillator Control Bit

When this bit is set, the EEPROM section uses the internal RC oscillator instead of the CPU clock. The RC oscillator is shared with the analog-to-digital (A/D) converter, so this bit should be set by the user when the internal bus frequency is below 1.5 MHz to guarantee reliable operation of the EEPROM or A/D converter. After setting the EERC bit, delay a time, t_{RCON} , to allow the RC oscillator to stabilize. This bit is readable and writable. The EERC bit is cleared by reset. The RC oscillator is disabled while the MCU is in stop mode.

EEPGM — EEPROM Programming Power Enable Bit

EEPGM must be written to enable (or disable) the EEGPM function. When set, EEGPM turns on the charge pump and enables the programming (or erasing) power to the EEPROM array. When clear, this power is switched off. This enables pulsing of the programming voltage to be controlled internally. This bit can be read at any time, but can only be written to if LATCH = 1. If LATCH is not set, EEGPM cannot be set. LATCH and EEGPM cannot both be set with one write if LATCH is cleared. EEGPM is cleared automatically when LATCH is cleared. Reset clears this bit.

10.4 Programming/Erasing Procedures

To program a byte of EEPROM:

1. Set EELAT = CPEN = 1.
2. Set ER1 = ER0 = 0.
3. Write data to the desired address.
4. Set EEPGM for a time, t_{EEPGM} .

Any bit should be erased before it is programmed. However, if write/erase cycling is a concern, a procedure can be followed to minimize the cycling of each bit in each EEPROM byte.

Here is the procedure:

- If $\text{PB} \cdot \overline{\text{EB}} = 0$ — Program the new data over the existing data without erasing it first.
- If $\text{PB} \cdot \overline{\text{EB}} \neq 0$ — Erase byte before programming.

Where:

PB = Byte data to be programmed

EB = Existing EEPROM byte data

To erase a **byte** of EEPROM:

1. Set LATCH = 1, CPEN = 1, ER1 = 0, and ER0 = 1.
2. Write to the address to be erased.
3. Set EEPGM for a time, t_{EBYT} .

To erase a **block** of EEPROM:

1. Set LATCH = 1, CPEN = 1, ER1 = 1, and ER0 = 0.
2. Write to any address in the block.
3. Set EEPGM for a time, t_{EBLOCK} .

For a **bulk** erase:

1. Set LATCH = 1, CPEN = 1, ER1 = 1, and ER0 = 1.
2. Write to any address in the array.
3. Set EEPGM for a time, t_{EBULK} .

To terminate the programming or erase sequence, clear EEPGM, delay for a time, t_{FPV} , to allow the programming voltage to fall, and then clear LATCH and CPEN to free up the buses. Following each erase or programming sequence, clear all programming control bits.

Section 11. Analog-to-Digital (A/D) Converter

11.1 Contents

11.2	Introduction	91
11.3	Analog Section	92
11.3.1	Ratiometric Conversion	92
11.3.2	Reference Supply Voltage (V_{REFH})	92
11.3.3	Accuracy and Precision	92
11.4	Conversion Process	92
11.5	Digital Section.	93
11.5.1	Conversion Times	93
11.5.2	Internal versus External Oscillator	93
11.5.3	Multi-Channel Operation	94
11.6	A/D Status and Control Register.	94
11.7	A/D Conversion Data Register	96
11.8	A/D Subsystem Operation during Wait Mode and Halt Mode	96
11.9	A/D Subsystem Operation during Stop Mode.	96

11.2 Introduction

The MC68HC05P18A includes a 4-channel, multiplexed input, 8-bit, successive approximation analog-to-digital (A/D) converter. The A/D subsystem shares its inputs with port C pins PC3–PC7.

11.3 Analog Section

The following paragraphs describe the operation and performance of analog modules within the analog subsystem.

11.3.1 Ratiometric Conversion

The A/D converter is ratiometric, with pin V_{REFH} supplying the high reference voltage. Applying an input voltage equal to V_{REFH} produces a conversion result of \$FF (full scale). Applying an input voltage equal to V_{SS} produces a conversion result of \$00. An input voltage greater than V_{REFH} converts to \$FF with no overflow indication. For ratiometric conversions, V_{REFH} should be at the same potential as the supply voltage being used by the analog signal being measured and be referenced to V_{SS} .

11.3.2 Reference Supply Voltage (V_{REFH})

The reference supply for the A/D converter shares pin PC7 with port C. The low reference is tied to the V_{SS} pin internally. V_{REFH} can be any voltage between V_{SS} and V_{DD} ; however, the accuracy of conversions is tested and guaranteed only for $V_{REFH} = V_{DD}$.

11.3.3 Accuracy and Precision

The 8-bit conversion result is accurate to within $\pm 1 \frac{1}{2}$ LSB (least significant bit), including quantization; however, the accuracy of conversions is tested and guaranteed only with external oscillator operation.

11.4 Conversion Process

The A/D reference inputs are applied to a precision digital-to-analog (D/A) converter. Control logic drives the D/A and the analog output is successively compared to the selected analog input that was sampled at

the beginning of the conversion cycle. The conversion process is monotonic and has no missing codes.

11.5 Digital Section

The following paragraphs describe the operation and performance of digital modules within the analog subsystem.

11.5.1 Conversion Times

Each input conversion requires 32 PH2 clock cycles, which must be at a frequency equal to or greater than 1 MHz.

11.5.2 Internal versus External Oscillator

If the MCU PH2 clock frequency is less than 1 MHz (2 MHz external oscillator), the internal RC oscillator (approximately 1.5 MHz) must be used for the A/D converter clock. The internal RC clock is selected by setting the EERC bit in the EEPROM program register (EPROG).

NOTE: *The RC oscillator is shared with the EEPROM module. The RC oscillator is disabled while the MCU is in stop mode.*

When the internal RC oscillator is being used, these limitations apply:

1. Since the internal RC oscillator is running asynchronously with respect to the PH2 clock, the conversion complete (CC) bit in the A/D status and control register (ADSC) must be used to determine when a conversion sequence has been completed.
2. Electrical noise slightly degrades the accuracy of the A/D converter. The A/D converter is synchronized to read voltages during the quiet period of the clock driving it. Since the internal and external clocks are not synchronized, the A/D converter occasionally measures an input when the external clock is making a transition.
3. If the PH2 clock is 1 MHz or greater (for example, external oscillator 2 MHz or greater), the internal RC oscillator should be turned off and the external oscillator used as the conversion clock.

Analog-to-Digital (A/D) Converter

11.5.3 Multi-Channel Operation

An input multiplexer allows the A/D converter to select from one of four external analog signals. Port C pins PC3–PC6 are shared with the inputs to the multiplexer.

11.6 A/D Status and Control Register

The A/D status and control register (ADSCR) reports the completion of A/D conversion and provides control over:

- Oscillator selection
- Analog subsystem power
- Input channel selection

See [Figure 11-1](#).



Figure 11-1. A/D Status and Control Register (ADSCR)

CC — Conversion Complete Bit

This read-only status bit is set when a conversion sequence has completed and data is ready to be read from the ADC register. CC is cleared when a channel is selected for conversion, when data is read from the ADC register, or when the A/D subsystem is turned off. Once a conversion is started, conversions of the selected channel continue every 32 PH2 clock cycles until the ADSC register is written to again. During continuous conversion operation, the ADC register is updated with new data, and the CC bit is set, every 32 PH2 clock cycles. Also, data from the previous conversion is overwritten regardless of the state of the CC bit.

R — Reserved Bit

This bit is not currently used. It can be read or written, but does not control anything.

ADON — A/D Subsystem On Bit

When the A/D subsystem is turned on ($ADON = 1$), it requires a time t_{ADON} to stabilize before accurate conversion results can be attained.

CH2–CH0 — Channel Select Bits

CH2, CH1, and CH0 form a 3-bit field that is used to select an input to the A/D converter. Channels 0–3 correspond to port C input pins PC6–PC3. Channels 4–6 are used for reference measurements. In user mode, channel 7 is reserved. If a conversion is attempted with channel 7 selected, the result is \$00. [Table 11-1](#) lists the inputs selected by bits CH0–CH3.

Table 11-1. A/D Multiplexer Input Channel Assignments

Channel	Signal
0	AD0 port C bit 6
1	AD1 port C bit 5
2	AD2 port C bit 4
3	AD3 port C bit 3
4	V_{REFH} port C bit 7
5	$(V_{REFH} + V_{SS})/2$
6	V_{SS}
7	Reserved

If the ADON bit is set, and an input from channels 0–4 is selected, the corresponding port C pin's DDR bit is cleared (making that port C pin an input). If the port C data register is read while the A/D is on, and one of the shared input channels is selected using bit CH0–CH2, the corresponding port C pin reads as a logic 0. The remaining port C pins read normally. To digitally read a port C pin, the A/D subsystem must be disabled ($ADON = 0$) or input channel 5–7 must be selected.

11.7 A/D Conversion Value Data Register

This register contains the output of the A/D converter. See [Figure 11-2](#).



Figure 11-2. A/D Conversion Value Data Register (ADC)

11.8 A/D Subsystem Operation during Wait Mode and Halt Mode

The A/D subsystem continues normal operation during wait mode and halt mode. To decrease power consumption during wait or halt, the ADON bit in the ADSC register and the EERC bit in the EEPROG register should be cleared if the A/D subsystem is not being used.

11.9 A/D Subsystem Operation during Stop Mode

When stop mode is enabled, execution of the STOP instruction terminates all A/D subsystem functions. Any pending conversion is aborted. When the oscillator resumes operation upon leaving the stop mode, a finite amount of time passes before the A/D subsystem stabilizes sufficiently to provide conversions at its rated accuracy. The delays built into the MC68HC05P18A when coming out of stop mode are sufficient for this purpose. No explicit delays need to be added to the application software.

Section 12. Instruction Set

12.1 Contents

12.2	Introduction	98
12.3	Addressing Modes	98
12.3.1	Inherent	99
12.3.2	Immediate	99
12.3.3	Direct	99
12.3.4	Extended	99
12.3.5	Indexed, No Offset	100
12.3.6	Indexed, 8-Bit Offset	100
12.3.7	Indexed, 16-Bit Offset	100
12.3.8	Relative	101
12.4	Instruction Types	101
12.4.1	Register/Memory Instructions	102
12.4.2	Read-Modify-Write Instructions	103
12.4.3	Jump/Branch Instructions	104
12.4.4	Bit Manipulation Instructions	106
12.4.5	Control Instructions	107
12.5	Instruction Set Summary	108

12.2 Introduction

The MCU instruction set has 62 instructions and uses eight addressing modes. The instructions include all those of the M146805 CMOS Family plus one more: the unsigned multiply (MUL) instruction. The MUL instruction allows unsigned multiplication of the contents of the accumulator (A) and the index register (X). The high-order product is stored in the index register, and the low-order product is stored in the accumulator.

12.3 Addressing Modes

The CPU uses eight addressing modes for flexibility in accessing data. The addressing modes provide eight different ways for the CPU to find the data required to execute an instruction.

The eight addressing modes are:

- Inherent
- Immediate
- Direct
- Extended
- Indexed, no offset
- Indexed, 8-bit offset
- Indexed, 16-bit offset
- Relative

12.3.1 Inherent

Inherent instructions are those that have no operand, such as return from interrupt (RTI) and stop (STOP). Some of the inherent instructions act on data in the CPU registers, such as set carry flag (SEC) and increment accumulator (INCA). Inherent instructions require no operand address and are one byte long.

12.3.2 Immediate

Immediate instructions are those that contain a value to be used in an operation with the value in the accumulator or index register. Immediate instructions require no operand address and are two bytes long. The opcode is the first byte, and the immediate data value is the second byte.

12.3.3 Direct

Direct instructions can access any of the first 256 memory locations with two bytes. The first byte is the opcode, and the second is the low byte of the operand address. In direct addressing, the CPU automatically uses \$00 as the high byte of the operand address.

12.3.4 Extended

Extended instructions use three bytes and can access any address in memory. The first byte is the opcode; the second and third bytes are the high and low bytes of the operand address.

When using the Motorola assembler, the programmer does not need to specify whether an instruction is direct or extended. The assembler automatically selects the shortest form of the instruction.

12.3.5 Indexed, No Offset

Indexed instructions with no offset are 1-byte instructions that can access data with variable addresses within the first 256 memory locations. The index register contains the low byte of the effective address of the operand. The CPU automatically uses \$00 as the high byte, so these instructions can address locations \$0000–\$00FF.

Indexed, no offset instructions are often used to move a pointer through a table or to hold the address of a frequently used RAM or I/O location.

12.3.6 Indexed, 8-Bit Offset

Indexed, 8-bit offset instructions are 2-byte instructions that can access data with variable addresses within the first 511 memory locations. The CPU adds the unsigned byte in the index register to the unsigned byte following the opcode. The sum is the effective address of the operand. These instructions can access locations \$0000–\$01FE.

Indexed 8-bit offset instructions are useful for selecting the kth element in an n-element table. The table can begin anywhere within the first 256 memory locations and could extend as far as location 510 (\$01FE). The k value is typically in the index register, and the address of the beginning of the table is in the byte following the opcode.

12.3.7 Indexed, 16-Bit Offset

Indexed, 16-bit offset instructions are 3-byte instructions that can access data with variable addresses at any location in memory. The CPU adds the unsigned byte in the index register to the two unsigned bytes following the opcode. The sum is the effective address of the operand. The first byte after the opcode is the high byte of the 16-bit offset; the second byte is the low byte of the offset.

Indexed, 16-bit offset instructions are useful for selecting the kth element in an n-element table anywhere in memory.

As with direct and extended addressing, the Motorola assembler determines the shortest form of indexed addressing.

12.3.8 Relative

Relative addressing is only for branch instructions. If the branch condition is true, the CPU finds the effective branch destination by adding the signed byte following the opcode to the contents of the program counter. If the branch condition is not true, the CPU goes to the next instruction. The offset is a signed, two's complement byte that gives a branching range of -128 to $+127$ bytes from the address of the next location after the branch instruction.

When using the Motorola assembler, the programmer does not need to calculate the offset, because the assembler determines the proper offset and verifies that it is within the span of the branch.

12.4 Instruction Types

The MCU instructions fall into five categories:

- Register/memory instructions
- Read-modify-write instructions
- Jump/branch instructions
- Bit manipulation instructions
- Control instructions

12.4.1 Register/Memory Instructions

These instructions operate on CPU registers and memory locations. Most of them use two operands. One operand is in either the accumulator or the index register. The CPU finds the other operand in memory.

Table 12-1. Register/Memory Instructions

Instruction	Mnemonic
Add memory byte and carry bit to accumulator	ADC
Add memory byte to accumulator	ADD
AND memory byte with accumulator	AND
Bit test accumulator	BIT
Compare accumulator	CMP
Compare index register with memory byte	CPX
Exclusive OR accumulator with memory byte	EOR
Load accumulator with memory byte	LDA
Load Index register with memory byte	LDX
Multiply	MUL
OR accumulator with memory byte	ORA
Subtract memory byte and carry bit from accumulator	SBC
Store accumulator in memory	STA
Store index register in memory	STX
Subtract memory byte from accumulator	SUB

12.4.2 Read-Modify-Write Instructions

These instructions read a memory location or a register, modify its contents, and write the modified value back to the memory location or to the register.

NOTE: *Do not use read-modify-write operations on write-only registers.*

Table 12-2. Read-Modify-Write Instructions

Instruction	Mnemonic
Arithmetic shift left (same as LSL)	ASL
Arithmetic shift right	ASR
Bit clear	BCLR ⁽¹⁾
Bit set	BSET ⁽¹⁾
Clear register	CLR
Complement (one's complement)	COM
Decrement	DEC
Increment	INC
Logical shift left (same as ASL)	LSL
Logical shift right	LSR
Negate (two's complement)	NEG
Rotate left through carry bit	ROL
Rotate right through carry bit	ROR
Test for negative or zero	TST ⁽²⁾

1. Unlike other read-modify-write instructions, BCLR and BSET use only direct addressing.
2. TST is an exception to the read-modify-write sequence because it does not write a replacement value.

12.4.3 Jump/Branch Instructions

Jump instructions allow the CPU to interrupt the normal sequence of the program counter. The unconditional jump instruction (JMP) and the jump-to-subroutine instruction (JSR) have no register operand. Branch instructions allow the CPU to interrupt the normal sequence of the program counter when a test condition is met. If the test condition is not met, the branch is not performed.

The BRCLR and BRSET instructions cause a branch based on the state of any readable bit in the first 256 memory locations. These 3-byte instructions use a combination of direct addressing and relative addressing. The direct address of the byte to be tested is in the byte following the opcode. The third byte is the signed offset byte. The CPU finds the effective branch destination by adding the third byte to the program counter if the specified bit tests true. The bit to be tested and its condition (set or clear) is part of the opcode. The span of branching is from -128 to $+127$ from the address of the next location after the branch instruction. The CPU also transfers the tested bit to the carry/borrow bit of the condition code register.

Table 12-3. Jump and Branch Instructions

Instruction	Mnemonic
Branch if carry bit clear	BCC
Branch if carry bit set	BCS
Branch if equal	BEQ
Branch if half-carry bit clear	BHCC
Branch if half-carry bit set	BHCS
Branch if higher	BHI
Branch if higher or same	BHS
Branch if \overline{IRQ} pin high	BIH
Branch if \overline{IRQ} pin low	BIL
Branch if lower	BLO
Branch if lower or same	BLS
Branch if interrupt mask clear	BMC
Branch if minus	BMI
Branch if interrupt mask set	BMS
Branch if not equal	BNE
Branch if plus	BPL
Branch always	BRA
Branch if bit clear	BRCLR
Branch never	BRN
Branch if bit set	BRSET
Branch to subroutine	BSR
Unconditional jump	JMP
Jump to subroutine	JSR

12.4.4 Bit Manipulation Instructions

The CPU can set or clear any writable bit in the first 256 bytes of memory, which includes I/O registers and on-chip RAM locations. The CPU can also test and branch based on the state of any bit in any of the first 256 memory locations.

Table 12-4. Bit Manipulation Instructions

Instruction	Mnemonic
Bit clear	BCLR
Branch if bit clear	BRCLR
Branch if bit set	BRSET
Bit set	BSET

12.4.5 Control Instructions

These instructions act on CPU registers and control CPU operation during program execution.

Table 12-5. Control Instructions

Instruction	Mnemonic
Clear carry bit	CLC
Clear interrupt mask	CLI
No operation	NOP
Reset stack pointer	RSP
Return from interrupt	RTI
Return from subroutine	RTS
Set carry bit	SEC
Set interrupt mask	SEI
Stop oscillator and enable \overline{IRQ} pin	STOP
Software interrupt	SWI
Transfer accumulator to index register	TAX
Transfer index register to accumulator	TXA
Stop CPU clock and enable interrupts	WAIT

12.5 Instruction Set Summary

Table 12-6. Instruction Set Summary (Sheet 1 of 6)

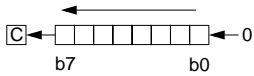
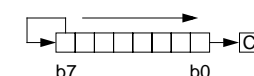
Source Form	Operation	Description	Effect on CCR					Address Mode	Opcode	Operand	Cycles
			H	I	N	Z	C				
ADC #opr ADC opr ADC opr ADC opr,X ADC opr,X ADC ,X	Add with Carry	$A \leftarrow (A) + (M) + (C)$	↕	—	↕	↕	↕	IMM DIR EXT IX2 IX1 IX	A9 B9 C9 D9 E9 F9	ii dd hh ll ee ff ff	2 3 4 5 4 3
ADD #opr ADD opr ADD opr ADD opr,X ADD opr,X ADD ,X	Add without Carry	$A \leftarrow (A) + (M)$	↕	—	↕	↕	↕	IMM DIR EXT IX2 IX1 IX	AB BB CB DB EB FB	ii dd hh ll ee ff ff	2 3 4 5 4 3
AND #opr AND opr AND opr AND opr,X AND opr,X AND ,X	Logical AND	$A \leftarrow (A) \wedge (M)$	—	—	↕	↕	—	IMM DIR EXT IX2 IX1 IX	A4 B4 C4 D4 E4 F4	ii dd hh ll ee ff ff	2 3 4 5 4 3
ASL opr ASLA ASLX ASL opr,X ASL ,X	Arithmetic Shift Left (Same as LSL)		—	—	↕	↕	↕	DIR INH INH IX1 IX	38 48 58 68 78	dd ff	5 3 3 6 5
ASR opr ASRA ASRX ASR opr,X ASR ,X	Arithmetic Shift Right		—	—	↕	↕	↕	DIR INH INH IX1 IX	37 47 57 67 77	dd ff	5 3 3 6 5
BCC rel	Branch if Carry Bit Clear	$PC \leftarrow (PC) + 2 + rel ? C = 0$	—	—	—	—	—	REL	24	rr	3
BCLR n opr	Clear Bit n	$M_n \leftarrow 0$	—	—	—	—	—	DIR (b0) DIR (b1) DIR (b2) DIR (b3) DIR (b4) DIR (b5) DIR (b6) DIR (b7)	11 13 15 17 19 1B 1D 1F	dd dd dd dd dd dd dd dd	5 5 5 5 5 5 5 5
BCS rel	Branch if Carry Bit Set (Same as BLO)	$PC \leftarrow (PC) + 2 + rel ? C = 1$	—	—	—	—	—	REL	25	rr	3
BEQ rel	Branch if Equal	$PC \leftarrow (PC) + 2 + rel ? Z = 1$	—	—	—	—	—	REL	27	rr	3
BHCC rel	Branch if Half-Carry Bit Clear	$PC \leftarrow (PC) + 2 + rel ? H = 0$	—	—	—	—	—	REL	28	rr	3
BHCS rel	Branch if Half-Carry Bit Set	$PC \leftarrow (PC) + 2 + rel ? H = 1$	—	—	—	—	—	REL	29	rr	3
BHI rel	Branch if Higher	$PC \leftarrow (PC) + 2 + rel ? C \vee Z = 0$	—	—	—	—	—	REL	22	rr	3
BHS rel	Branch if Higher or Same	$PC \leftarrow (PC) + 2 + rel ? C = 0$	—	—	—	—	—	REL	24	rr	3

Table 12-6. Instruction Set Summary (Sheet 2 of 6)

Source Form	Operation	Description	Effect on CCR					Address Mode	Opcode	Operand	Cycles
			H	I	N	Z	C				
BIH <i>rel</i>	Branch if IRQ Pin High	$PC \leftarrow (PC) + 2 + rel ? IRQ = 1$	—	—	—	—	—	REL	2F	rr	3
BIL <i>rel</i>	Branch if IRQ Pin Low	$PC \leftarrow (PC) + 2 + rel ? IRQ = 0$	—	—	—	—	—	REL	2E	rr	3
BIT # <i>opr</i> BIT <i>opr</i> BIT <i>opr</i> BIT <i>opr</i> ,X BIT <i>opr</i> ,X BIT ,X	Bit Test Accumulator with Memory Byte	$(A) \wedge (M)$	—	—	↑	↓	—	IMM DIR EXT IX2 IX1 IX	A5 B5 C5 D5 E5 F5	ii dd hh ll ee ff ff	2 3 4 5 4 3
BLO <i>rel</i>	Branch if Lower (Same as BCS)	$PC \leftarrow (PC) + 2 + rel ? C = 1$	—	—	—	—	—	REL	25	rr	3
BLS <i>rel</i>	Branch if Lower or Same	$PC \leftarrow (PC) + 2 + rel ? C \vee Z = 1$	—	—	—	—	—	REL	23	rr	3
BMC <i>rel</i>	Branch if Interrupt Mask Clear	$PC \leftarrow (PC) + 2 + rel ? I = 0$	—	—	—	—	—	REL	2C	rr	3
BMI <i>rel</i>	Branch if Minus	$PC \leftarrow (PC) + 2 + rel ? N = 1$	—	—	—	—	—	REL	2B	rr	3
BMS <i>rel</i>	Branch if Interrupt Mask Set	$PC \leftarrow (PC) + 2 + rel ? I = 1$	—	—	—	—	—	REL	2D	rr	3
BNE <i>rel</i>	Branch if Not Equal	$PC \leftarrow (PC) + 2 + rel ? Z = 0$	—	—	—	—	—	REL	26	rr	3
BPL <i>rel</i>	Branch if Plus	$PC \leftarrow (PC) + 2 + rel ? N = 0$	—	—	—	—	—	REL	2A	rr	3
BRA <i>rel</i>	Branch Always	$PC \leftarrow (PC) + 2 + rel ? 1 = 1$	—	—	—	—	—	REL	20	rr	3
BRCLR <i>n opr rel</i>	Branch if Bit n Clear	$PC \leftarrow (PC) + 2 + rel ? Mn = 0$	—	—	—	—	↑	DIR (b0) DIR (b1) DIR (b2) DIR (b3) DIR (b4) DIR (b5) DIR (b6) DIR (b7)	01 03 05 07 09 0B 0D 0F	dd rr dd rr dd rr dd rr dd rr dd rr dd rr dd rr	5 5 5 5 5 5 5 5
BRN <i>rel</i>	Branch Never	$PC \leftarrow (PC) + 2 + rel ? 1 = 0$	—	—	—	—	—	REL	21	rr	3
BRSET <i>n opr rel</i>	Branch if Bit n Set	$PC \leftarrow (PC) + 2 + rel ? Mn = 1$	—	—	—	—	↓	DIR (b0) DIR (b1) DIR (b2) DIR (b3) DIR (b4) DIR (b5) DIR (b6) DIR (b7)	00 02 04 06 08 0A 0C 0E	dd rr dd rr dd rr dd rr dd rr dd rr dd rr dd rr	5 5 5 5 5 5 5 5
BSET <i>n opr</i>	Set Bit n	$Mn \leftarrow 1$	—	—	—	—	—	DIR (b0) DIR (b1) DIR (b2) DIR (b3) DIR (b4) DIR (b5) DIR (b6) DIR (b7)	10 12 14 16 18 1A 1C 1E	dd dd dd dd dd dd dd dd	5 5 5 5 5 5 5 5
BSR <i>rel</i>	Branch to Subroutine	$PC \leftarrow (PC) + 2$; push (PCL) $SP \leftarrow (SP) - 1$; push (PCH) $SP \leftarrow (SP) - 1$ $PC \leftarrow (PC) + rel$	—	—	—	—	—	REL	AD	rr	6
CLC	Clear Carry Bit	$C \leftarrow 0$	—	—	—	—	0	INH	98		2
CLI	Clear Interrupt Mask	$I \leftarrow 0$	—	0	—	—	—	INH	9A		2

Instruction Set

Table 12-6. Instruction Set Summary (Sheet 3 of 6)

Source Form	Operation	Description	Effect on CCR					Address Mode	Opcode	Operand	Cycles
			H	I	N	Z	C				
CLR <i>opr</i> CLRA CLR X CLR <i>opr</i> ,X CLR ,X	Clear Byte	M ← \$00 A ← \$00 X ← \$00 M ← \$00 M ← \$00	—	—	0	1	—	DIR INH INH IX1 IX	3F 4F 5F 6F 7F	dd ff	5 3 3 6 5
CMP # <i>opr</i> CMP <i>opr</i> CMP <i>opr</i> CMP <i>opr</i> ,X CMP <i>opr</i> ,X CMP ,X	Compare Accumulator with Memory Byte	(A) – (M)	—	—	↑	↑	↑	IMM DIR EXT IX2 IX1 IX	A1 B1 C1 D1 E1 F1	ii dd hh ll ee ff ff	2 3 4 5 4 3
COM <i>opr</i> COMA COM X COM <i>opr</i> ,X COM ,X	Complement Byte (One's Complement)	M ← (\bar{M}) = \$FF – (M) A ← (\bar{A}) = \$FF – (A) X ← (\bar{X}) = \$FF – (X) M ← (\bar{M}) = \$FF – (M) M ← (\bar{M}) = \$FF – (M)	—	—	↑	↑	1	DIR INH INH IX1 IX	33 43 53 63 73	dd ff	5 3 3 6 5
CPX # <i>opr</i> CPX <i>opr</i> CPX <i>opr</i> CPX <i>opr</i> ,X CPX <i>opr</i> ,X CPX ,X	Compare Index Register with Memory Byte	(X) – (M)	—	—	↑	↑	↑	IMM DIR EXT IX2 IX1 IX	A3 B3 C3 D3 E3 F3	ii dd hh ll ee ff ff	2 3 4 5 4 3
DEC <i>opr</i> DECA DEC X DEC <i>opr</i> ,X DEC ,X	Decrement Byte	M ← (M) – 1 A ← (A) – 1 X ← (X) – 1 M ← (M) – 1 M ← (M) – 1	—	—	↑	↑	—	DIR INH INH IX1 IX	3A 4A 5A 6A 7A	dd ff	5 3 3 6 5
EOR # <i>opr</i> EOR <i>opr</i> EOR <i>opr</i> EOR <i>opr</i> ,X EOR <i>opr</i> ,X EOR ,X	EXCLUSIVE OR Accumulator with Memory Byte	A ← (A) ⊕ (M)	—	—	↑	↑	—	IMM DIR EXT IX2 IX1 IX	A8 B8 C8 D8 E8 F8	ii dd hh ll ee ff ff	2 3 4 5 4 3
INC <i>opr</i> INCA INC X INC <i>opr</i> ,X INC ,X	Increment Byte	M ← (M) + 1 A ← (A) + 1 X ← (X) + 1 M ← (M) + 1 M ← (M) + 1	—	—	↑	↑	—	DIR INH INH IX1 IX	3C 4C 5C 6C 7C	dd ff	5 3 3 6 5
JMP <i>opr</i> JMP <i>opr</i> JMP <i>opr</i> ,X JMP <i>opr</i> ,X JMP ,X	Unconditional Jump	PC ← Jump Address	—	—	—	—	—	DIR EXT IX2 IX1 IX	BC CC DC EC FC	dd hh ll ee ff ff	2 3 4 3 2

Table 12-6. Instruction Set Summary (Sheet 4 of 6)

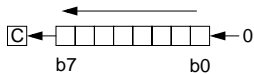
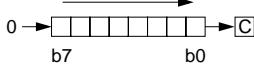
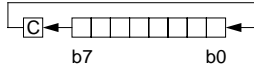
Source Form	Operation	Description	Effect on CCR					Address Mode	Opcode	Operand	Cycles
			H	I	N	Z	C				
JSR <i>opr</i> JSR <i>opr</i> JSR <i>opr,X</i> JSR <i>opr,X</i> JSR ,X	Jump to Subroutine	PC ← (PC) + n (n = 1, 2, or 3) Push (PCL); SP ← (SP) - 1 Push (PCH); SP ← (SP) - 1 PC ← Effective Address	—	—	—	—	—	DIR EXT IX2 IX1 IX	BD CD DD ED FD	dd hh ll ee ff ff	5 6 7 6 5
LDA # <i>opr</i> LDA <i>opr</i> LDA <i>opr</i> LDA <i>opr,X</i> LDA <i>opr,X</i> LDA ,X	Load Accumulator with Memory Byte	A ← (M)	—	—	↑	↓	—	IMM DIR EXT IX2 IX1 IX	A6 B6 C6 D6 E6 F6	ii dd hh ll ee ff ff	2 3 4 5 4 3
LDX # <i>opr</i> LDX <i>opr</i> LDX <i>opr</i> LDX <i>opr,X</i> LDX <i>opr,X</i> LDX ,X	Load Index Register with Memory Byte	X ← (M)	—	—	↑	↓	—	IMM DIR EXT IX2 IX1 IX	AE BE CE DE EE FE	ii dd hh ll ee ff ff	2 3 4 5 4 3
LSL <i>opr</i> LSLA LSLX LSL <i>opr,X</i> LSL ,X	Logical Shift Left (Same as ASL)		—	—	↑	↓	↓	DIR INH INH IX1 IX	38 48 58 68 78	dd ff	5 3 3 6 5
LSR <i>opr</i> LSRA LSRX LSR <i>opr,X</i> LSR ,X	Logical Shift Right		—	—	0	↑	↓	DIR INH INH IX1 IX	34 44 54 64 74	dd ff	5 3 3 6 5
MUL	Unsigned Multiply	X : A ← (X) × (A)	0	—	—	—	0	INH	42		1 1
NEG <i>opr</i> NEGA NEGX NEG <i>opr,X</i> NEG ,X	Negate Byte (Two's Complement)	M ← -(M) = \$00 - (M) A ← -(A) = \$00 - (A) X ← -(X) = \$00 - (X) M ← -(M) = \$00 - (M) M ← -(M) = \$00 - (M)	—	—	↑	↓	↓	DIR INH INH IX1 IX	30 40 50 60 70	dd ff	5 3 3 6 5
NOP	No Operation		—	—	—	—	—	INH	9D		2
ORA # <i>opr</i> ORA <i>opr</i> ORA <i>opr</i> ORA <i>opr,X</i> ORA <i>opr,X</i> ORA ,X	Logical OR Accumulator with Memory	A ← (A) ∨ (M)	—	—	↑	↓	—	IMM DIR EXT IX2 IX1 IX	AA BA CA DA EA FA	ii dd hh ll ee ff ff	2 3 4 5 4 3
ROL <i>opr</i> ROLA ROLX ROL <i>opr,X</i> ROL ,X	Rotate Byte Left through Carry Bit		—	—	↑	↓	↓	DIR INH INH IX1 IX	39 49 59 69 79	dd ff	5 3 3 6 5

Table 12-6. Instruction Set Summary (Sheet 5 of 6)

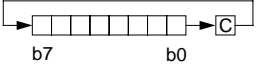
Source Form	Operation	Description	Effect on CCR					Address Mode	Opcode	Operand	Cycles
			H	I	N	Z	C				
ROR <i>opr</i> RORA RORX ROR <i>opr,X</i> ROR ,X	Rotate Byte Right through Carry Bit		—	—	↑	↓	↓	DIR INH INH IX1 IX	36 46 56 66 76	dd ff	5 3 3 6 5
RSP	Reset Stack Pointer	SP ← \$00FF	—	—	—	—	—	INH	9C		2
RTI	Return from Interrupt	SP ← (SP) + 1; Pull (CCR) SP ← (SP) + 1; Pull (A) SP ← (SP) + 1; Pull (X) SP ← (SP) + 1; Pull (PCH) SP ← (SP) + 1; Pull (PCL)	↑	↑	↑	↑	↑	INH	80		9
RTS	Return from Subroutine	SP ← (SP) + 1; Pull (PCH) SP ← (SP) + 1; Pull (PCL)	—	—	—	—	—	INH	81		6
SBC # <i>opr</i> SBC <i>opr</i> SBC <i>opr</i> SBC <i>opr,X</i> SBC <i>opr,X</i> SBC ,X	Subtract Memory Byte and Carry Bit from Accumulator	A ← (A) – (M) – (C)	—	—	↑	↓	↓	IMM DIR EXT IX2 IX1 IX	A2 B2 C2 D2 E2 F2	ii dd hh ll ee ff ff	2 3 4 5 4 3
SEC	Set Carry Bit	C ← 1	—	—	—	—	1	INH	99		2
SEI	Set Interrupt Mask	I ← 1	—	1	—	—	—	INH	9B		2
STA <i>opr</i> STA <i>opr</i> STA <i>opr,X</i> STA <i>opr,X</i> STA ,X	Store Accumulator in Memory	M ← (A)	—	—	↑	↓	—	DIR EXT IX2 IX1 IX	B7 C7 D7 E7 F7	dd hh ll ee ff ff	4 5 6 5 4
STOP	Stop Oscillator and Enable IRQ Pin		—	0	—	—	—	INH	8E		2
STX <i>opr</i> STX <i>opr</i> STX <i>opr,X</i> STX <i>opr,X</i> STX ,X	Store Index Register In Memory	M ← (X)	—	—	↑	↓	—	DIR EXT IX2 IX1 IX	BF CF DF EF FF	dd hh ll ee ff ff	4 5 6 5 4
SUB # <i>opr</i> SUB <i>opr</i> SUB <i>opr</i> SUB <i>opr,X</i> SUB <i>opr,X</i> SUB ,X	Subtract Memory Byte from Accumulator	A ← (A) – (M)	—	—	↑	↓	↓	IMM DIR EXT IX2 IX1 IX	A0 B0 C0 D0 E0 F0	ii dd hh ll ee ff ff	2 3 4 5 4 3
SWI	Software Interrupt	PC ← (PC) + 1; Push (PCL) SP ← (SP) – 1; Push (PCH) SP ← (SP) – 1; Push (X) SP ← (SP) – 1; Push (A) SP ← (SP) – 1; Push (CCR) SP ← (SP) – 1; I ← 1 PCH ← Interrupt Vector High Byte PCL ← Interrupt Vector Low Byte	—	1	—	—	—	INH	83		1 0
TAX	Transfer Accumulator to Index Register	X ← (A)	—	—	—	—	—	INH	97		2

Table 12-6. Instruction Set Summary (Sheet 6 of 6)

Source Form	Operation	Description	Effect on CCR					Address Mode	Opcode	Operand	Cycles
			H	I	N	Z	C				
TST <i>opr</i> TSTA TSTX TST <i>opr</i> ,X TST ,X	Test Memory Byte for Negative or Zero	(M) – \$00	—	—	↓	↓	—	DIR INH INH IX1 IX	3D 4D 5D 6D 7D	dd ff	4 3 3 5 4
TXA	Transfer Index Register to Accumulator	A ← (X)	—	—	—	—	—	INH	9F		2
WAIT	Stop CPU Clock and Enable Interrupts		—	0	—	—	—	INH	8F		2

- | | | | |
|-------|---|------------|--------------------------------------|
| A | Accumulator | <i>opr</i> | Operand (one or two bytes) |
| C | Carry/borrow flag | PC | Program counter |
| CCR | Condition code register | PCH | Program counter high byte |
| dd | Direct address of operand | PCL | Program counter low byte |
| dd rr | Direct address of operand and relative offset of branch instruction | REL | Relative addressing mode |
| DIR | Direct addressing mode | <i>rel</i> | Relative program counter offset byte |
| ee ff | High and low bytes of offset in indexed, 16-bit offset addressing | rr | Relative program counter offset byte |
| EXT | Extended addressing mode | SP | Stack pointer |
| ff | Offset byte in indexed, 8-bit offset addressing | X | Index register |
| H | Half-carry flag | Z | Zero flag |
| hh ll | High and low bytes of operand address in extended addressing | # | Immediate value |
| I | Interrupt mask | ^ | Logical AND |
| ii | Immediate operand byte | ∨ | Logical OR |
| IMM | Immediate addressing mode | ⊕ | Logical EXCLUSIVE OR |
| INH | Inherent addressing mode | () | Contents of |
| IX | Indexed, no offset addressing mode | -() | Negation (two's complement) |
| IX1 | Indexed, 8-bit offset addressing mode | ← | Loaded with |
| IX2 | Indexed, 16-bit offset addressing mode | ? | If |
| M | Memory location | : | Concatenated with |
| N | Negative flag | ↓ | Set or cleared |
| n | Any bit | — | Not affected |

Table 12-7. Opcode Map

		Bit Manipulation		Branch	Read-Modify-Write				Control		Register/Memory									
		DIR	DIR	REL	DIR	INH	INH	IX1	IX	INH	INH	IMM	DIR	EXT	IX2	IX1	IX			
MSB	LSB	0	1	2	3	4	5	6	7	8	9	A	B	C	D	E	F	MSB	LSB	
	0	BRSET0 ⁵ ₃ DIR ₂	BSET0 ⁵ ₂ DIR ₂	BRA ³ REL ₂	NEG ⁵ DIR ₁	NEGA ³ INH ₁	NEGX ³ INH ₂	NEG ⁶ IX1 ₁	NEG ⁵ IX ₁	RTI ⁹ INH ₁		SUB ² IMM ₂	SUB ³ DIR ₃	SUB ⁴ EXT ₃	SUB ⁵ IX2 ₂	SUB ⁴ IX1 ₁	SUB ³ IX ₁		0	
	1	BRCLR0 ⁵ ₃ DIR ₂	BCLR0 ⁵ ₂ DIR ₂	BRN ³ REL ₂						RTS ⁶ INH ₁		CMP ² IMM ₂	CMP ³ DIR ₃	CMP ⁴ EXT ₃	CMP ⁵ IX2 ₂	CMP ⁴ IX1 ₁	CMP ³ IX ₁		1	
	2	BRSET1 ⁵ ₃ DIR ₂	BSET1 ⁵ ₂ DIR ₂	BHI ³ REL ₂		MUL ¹¹ INH ₁						SBC ² IMM ₂	SBC ³ DIR ₃	SBC ⁴ EXT ₃	SBC ⁵ IX2 ₂	SBC ⁴ IX1 ₁	SBC ³ IX ₁		2	
	3	BRCLR1 ⁵ ₃ DIR ₂	BCLR1 ⁵ ₂ DIR ₂	BLS ³ REL ₂	COM ⁵ DIR ₁	COMA ³ INH ₁	COMX ³ INH ₂	COM ⁶ IX1 ₁	COM ⁵ IX ₁	SWI ¹⁰ INH ₁		CPX ² IMM ₂	CPX ³ DIR ₃	CPX ⁴ EXT ₃	CPX ⁵ IX2 ₂	CPX ⁴ IX1 ₁	CPX ³ IX ₁		3	
	4	BRSET2 ⁵ ₃ DIR ₂	BSET2 ⁵ ₂ DIR ₂	BCC ³ REL ₂	LSR ⁵ DIR ₁	LSRA ³ INH ₁	LSRX ³ INH ₂	LSR ⁶ IX1 ₁	LSR ⁵ IX ₁			AND ² IMM ₂	AND ³ DIR ₃	AND ⁴ EXT ₃	AND ⁵ IX2 ₂	AND ⁴ IX1 ₁	AND ³ IX ₁		4	
	5	BRCLR2 ⁵ ₃ DIR ₂	BCLR2 ⁵ ₂ DIR ₂	BCS/BLO ³ REL ₂								BIT ² IMM ₂	BIT ³ DIR ₃	BIT ⁴ EXT ₃	BIT ⁵ IX2 ₂	BIT ⁴ IX1 ₁	BIT ³ IX ₁		5	
	6	BRSET3 ⁵ ₃ DIR ₂	BSET3 ⁵ ₂ DIR ₂	BNE ³ REL ₂	ROR ⁵ DIR ₁	RORA ³ INH ₁	RORX ³ INH ₂	ROR ⁶ IX1 ₁	ROR ⁵ IX ₁			LDA ² IMM ₂	LDA ³ DIR ₃	LDA ⁴ EXT ₃	LDA ⁵ IX2 ₂	LDA ⁴ IX1 ₁	LDA ³ IX ₁		6	
	7	BRCLR3 ⁵ ₃ DIR ₂	BCLR3 ⁵ ₂ DIR ₂	BEQ ³ REL ₂	ASR ⁵ DIR ₁	ASRA ³ INH ₁	ASRX ³ INH ₂	ASR ⁶ IX1 ₁	ASR ⁵ IX ₁		TAX ² INH ₁		STA ⁴ DIR ₃	STA ⁵ EXT ₃	STA ⁶ IX2 ₂	STA ⁵ IX1 ₁	STA ⁴ IX ₁		7	
	8	BRSET4 ⁵ ₃ DIR ₂	BSET4 ⁵ ₂ DIR ₂	BHCC ³ REL ₂	ASL/LSL ⁵ DIR ₁	ASLA/LSLA ³ INH ₁	ASLX/LSLX ³ INH ₂	ASL/LSL ⁶ IX1 ₁	ASL/LSL ⁵ IX ₁			CLC ² INH ₁	EOR ² IMM ₂	EOR ³ DIR ₃	EOR ⁴ EXT ₃	EOR ⁵ IX2 ₂	EOR ⁴ IX1 ₁	EOR ³ IX ₁		8
	9	BRCLR4 ⁵ ₃ DIR ₂	BCLR4 ⁵ ₂ DIR ₂	BHCS ³ REL ₂	ROL ⁵ DIR ₁	ROLA ³ INH ₁	ROLX ³ INH ₂	ROL ⁶ IX1 ₁	ROL ⁵ IX ₁			SEC ² INH ₁	ADC ² IMM ₂	ADC ³ DIR ₃	ADC ⁴ EXT ₃	ADC ⁵ IX2 ₂	ADC ⁴ IX1 ₁	ADC ³ IX ₁		9
	A	BRSET5 ⁵ ₃ DIR ₂	BSET5 ⁵ ₂ DIR ₂	BPL ³ REL ₂	DEC ⁵ DIR ₁	DECA ³ INH ₁	DECX ³ INH ₂	DEC ⁶ IX1 ₁	DEC ⁵ IX ₁			CLI ² INH ₁	ORA ² IMM ₂	ORA ³ DIR ₃	ORA ⁴ EXT ₃	ORA ⁵ IX2 ₂	ORA ⁴ IX1 ₁	ORA ³ IX ₁		A
	B	BRCLR5 ⁵ ₃ DIR ₂	BCLR5 ⁵ ₂ DIR ₂	BMI ³ REL ₂								SEI ² INH ₁	ADD ² IMM ₂	ADD ³ DIR ₃	ADD ⁴ EXT ₃	ADD ⁵ IX2 ₂	ADD ⁴ IX1 ₁	ADD ³ IX ₁		B
	C	BRSET6 ⁵ ₃ DIR ₂	BSET6 ⁵ ₂ DIR ₂	BMC ³ REL ₂	INC ⁵ DIR ₁	INCA ³ INH ₁	INCX ³ INH ₂	INC ⁶ IX1 ₁	INC ⁵ IX ₁			RSP ² INH ₁		JMP ² DIR ₃	JMP ³ EXT ₃	JMP ⁴ IX2 ₂	JMP ³ IX1 ₁	JMP ² IX ₁		C
	D	BRCLR6 ⁵ ₃ DIR ₂	BCLR6 ⁵ ₂ DIR ₂	BMS ³ REL ₂	TST ⁴ DIR ₁	TSTA ³ INH ₁	TSTX ³ INH ₂	TST ⁵ IX1 ₁	TST ⁴ IX ₁			NOP ² INH ₁	BSR ⁶ REL ₂	JSR ⁵ DIR ₃	JSR ⁶ EXT ₃	JSR ⁷ IX2 ₂	JSR ⁶ IX1 ₁	JSR ⁵ IX ₁		D
	E	BRSET7 ⁵ ₃ DIR ₂	BSET7 ⁵ ₂ DIR ₂	BIL ³ REL ₂						STOP ² INH ₁		LDX ² IMM ₂	LDX ³ DIR ₃	LDX ⁴ EXT ₃	LDX ⁵ IX2 ₂	LDX ⁴ IX1 ₁	LDX ³ IX ₁		E	
	F	BRCLR7 ⁵ ₃ DIR ₂	BCLR7 ⁵ ₂ DIR ₂	BIH ³ REL ₂	CLR ⁵ DIR ₁	CLRA ³ INH ₁	CLR ³ INH ₂	CLR ⁶ IX1 ₁	CLR ⁵ IX ₁	WAIT ² INH ₁	TXA ² INH ₁			STX ⁴ DIR ₃	STX ⁵ EXT ₃	STX ⁶ IX2 ₂	STX ⁵ IX1 ₁	STX ⁴ IX ₁		F

INH = Inherent
 IMM = Immediate
 DIR = Direct
 EXT = Extended

REL = Relative
 IX = Indexed, No Offset
 IX1 = Indexed, 8-Bit Offset
 IX2 = Indexed, 16-Bit Offset

LSB of Opcode in Hexadecimal

MSB	0
LSB	BRSET0 ⁵ ₃ DIR

MSB of Opcode in Hexadecimal

Number of Cycles
 Opcode Mnemonic
 Number of Bytes/Addressing Mode

Section 13. Electrical Specifications

13.1 Contents

13.2	Maximum Ratings	116
13.3	Operating Temperature Range	116
13.4	Thermal Characteristics	116
13.5	Power Considerations	117
13.6	DC Electrical Characteristics	118
13.7	Active Reset Characteristics	119
13.8	A/D Converter Characteristics	120
13.9	SIOP Timing	121
13.10	PD5 Clock Out Timing (PD5 Clock Out Option Enabled)	122
13.11	Control Timing	123

Electrical Specifications

13.2 Maximum Ratings

Maximum ratings are the extreme limits to which the MCU can be exposed without permanently damaging it.

The MCU contains circuitry to protect the inputs against damage from high static voltages; however, do not apply voltages higher than those shown in the table here. Keep V_{In} and V_{Out} within the range $V_{SS} \leq (V_{In} \text{ or } V_{Out}) \leq V_{DD}$. Connect unused inputs to the appropriate voltage level, either V_{SS} or V_{DD} .

Rating	Symbol	Value	Unit
Supply voltage	V_{DD}	-0.3 to +7.0	V
Input voltage	V_{In}	$V_{SS} - 0.3$ to $V_{DD} + 0.3$	V
Current drain per pin excluding V_{DD} and V_{SS}	I	25	mA
Storage temperature range	T_{STG}	-65 to +150	°C

NOTE: This device is not guaranteed to operate properly at the maximum ratings. Refer to **13.6 DC Electrical Characteristics** for guaranteed operating conditions.

13.3 Operating Temperature Range

Characteristic	Symbol	Value	Unit
Operating temperature range Standard Extended Automotive	T_A	T_L to T_H 0 to +70 -40 to +85 -40 to +125	°C
Maximum junction temperature	T_J	150	°C

13.4 Thermal Characteristics

Characteristic	Symbol	Value	Unit
Thermal resistance PDIP (28 pin) SOIC (28 pin)	θ_{JA}	60 60	°C/W

13.5 Power Considerations

The average chip junction temperature, T_J , in °C can be obtained from:

$$T_J = T_A + (P_D \times \theta_{JA}) \quad (1)$$

Where:

T_A = ambient temperature in °C

θ_{JA} = package thermal resistance, junction to ambient in °C/W

$P_D = P_{INT} + P_{I/O}$

$P_{INT} = I_{CC} \times V_{CC}$ = chip internal power dissipation

$P_{I/O}$ = power dissipation on input and output pins (user-determined)

For most applications, $P_{I/O} \ll P_{INT}$ and can be neglected.

Ignoring $P_{I/O}$, the relationship between P_D and T_J is approximately:

$$P_D = \frac{K}{T_J + 273^\circ\text{C}} \quad (2)$$

Solving equations (1) and (2) for K gives:

$$= P_D \times (T_A + 273^\circ\text{C}) + \theta_{JA} \times (P_D)^2 \quad (3)$$

where K is a constant pertaining to the particular part. K can be determined from equation (3) by measuring P_D (at equilibrium) for a known T_A . Using this value of K, the values of P_D and T_J can be obtained by solving equations (1) and (2) iteratively for any value of T_A .

Electrical Specifications

13.6 DC Electrical Characteristics

Characteristic ⁽¹⁾	Symbol	Min	Max	Unit
Output voltage $I_{Load} = 10.0 \mu A$	V_{OL} V_{OH}	— $V_{DD} - 0.1$	0.1 —	V
Output high voltage ($I_{Load} = 0.8 \text{ mA}$) PA0–PA7, PB5–PB7, PC0–PC7, PD5/CKOUT ($I_{Load} = 5 \text{ mA}$) PC0, PC1	V_{OH}	$V_{DD} - 0.8$	—	V
Output low voltage ($I_{Load} = 1.6 \text{ mA}$) PA0–PA7, PB5–PB7, PC0–PC7, PD5/CKOUT ($I_{Load} = 10 \text{ mA}$) PC0, PC1	V_{OL}	—	0.4	V
Input high voltage PA0–PA7, PB5–PB7, PC0–PC7, PD5/CKOUT, TCAP/PD7, \overline{IRQ} , \overline{RESET} , OSC1	V_{IH}	$0.7 \times V_{DD}$	V_{DD}	V
Input low voltage PA0–PA7, PB5–PB7, PC0–PC7, PD5, TCAP/PD7, \overline{IRQ} , \overline{RESET} , OSC1	V_{IL}	V_{SS}	$0.3 \times V_{DD}$	V
Supply current ^{(2) (3) (4)} Low frequency (2-MHz bus) Run Wait (A2D on) Wait (A2D off) High frequency (4-MHz bus) Run Wait (A2D on) Wait (A2D off) Stop (–40°C to +132°C) LVR disabled LVR enabled	I_{DD}	— — — — — — — — — —	4 3.5 2.5 6 4.5 4.6 50 200	mA mA mA mA mA mA μA μA
I/O ports hi-z leakage current PA0–PA7, PB5–PB7, PC0–PC7, PD5/CKOUT, TCAP/PD7	I_{IL}	—	± 10	μA
I/O ports switch resistance (pullup enabled PA0–PA7)	R_{PTA}	7	30	k
A/D ports hi-z leakage current PC3–PC7	I_{In}	—	± 1	μA
Input current \overline{RESET} , \overline{IRQ} , OSC1	I_{In}	—	± 1	μA
Capacitance Ports (as input or output) \overline{RESET} , \overline{IRQ}	C_{Out} C_{In}	— —	12 8	pF

Continued

Characteristic ⁽¹⁾	Symbol	Min	Max	Unit
EEPROM program/erase time				
Byte	—	—	5	ms
Block	—	—	30	
Bulk	—	—	100	
Low-voltage reset inhibit	V _{LVRI}	3.5	4.3	V

- V_{DD} = 5.0 Vdc ± 10%, V_{SS} = 0 Vdc, T_A = -40°C to +125°C, unless otherwise noted. All values shown reflect average measurements.
- Run (Operating) I_{DD}, wait I_{DD}: Measured using external square wave clock source to OSC1 (f_{OSC} = 4.2 MHz), all inputs 0.2 Vdc from rail; no DC loads, less than 50 pF on all outputs, C_L = 20 pF on OSC2
- Wait I_{DD}: Only timer system active
Wait I_{DD} is affected linearly by the OSC2 capacitance.
Wait, Stop I_{DD}: All ports configured as inputs, V_{IL} = 0.2 Vdc, V_{IH} = V_{DD} - 0.2 Vdc
Stop I_{DD} measured with OSC1 = V_{SS}
- Run and wait I_{DD} limit values are with no load on PD5 clockout, when PD5 is enabled.
Run and wait I_{DD} values are for both PD5 enabled and disabled and LVR enabled and disabled.

13.7 Active Reset Characteristics

Rise Time	Fall Time	Pulse Width	C _{Load}	Pullup
0.5 μs	13 ns	2.4 μs	59 pF	10 K
1.0 μs	20 ns	2.7 μs	100 pF	10 K
2.5 μs	42 ns	3.7 μs	250 pF	10 K

Note: V_{DD} = 4.5 Vdc, V_{SS} = 0 Vdc, T_A = 125°C

Electrical Specifications

13.8 A/D Converter Characteristics

Characteristic ⁽¹⁾	Min	Max	Unit	Comments
Resolution	8	8	Bits	
Absolute accuracy $V_{DD} \geq V_{REFH} > 4.5$	—	$\pm 1 \frac{1}{2}$	LSB	Including quantization
Conversion range V_{REFH}	V_{SS} V_{SS}	V_{REFH} V_{DD}	V	A/D accuracy may decrease proportionately as V_{REFH} is reduced below 4.5 V.
Input leakage AD0, AD1, AD2, AD3 V_{REFH}	— —	± 1 ± 1	μA	
Conversion time ⁽²⁾ (Includes sampling time)	32	32	t_{AD} (Note 2)	
Monotonicity	Inherent (within total error)			
Zero input reading External Internal	00 00	01 03	Hex	$V_{In} = 0 V$
Full-scale reading	FE	FF	Hex	$V_{In} = V_{REFH}$
Sample time	12	12	t_{AD} (Note 3)	
Input capacitance	—	12	pF	
Analog input voltage	V_{SS}	V_{REFH}	V	

1. $V_{DD} = 5.0 \pm 10\% V_{dc} \pm 10\%$, $V_{SS} = 0 V_{dc}$, $T_A = -40^\circ C$ to $+125^\circ C$, unless otherwise noted

2. $t_{AD} = t_{CYC}$ if clock source equals MCU

13.9 SIOPTiming

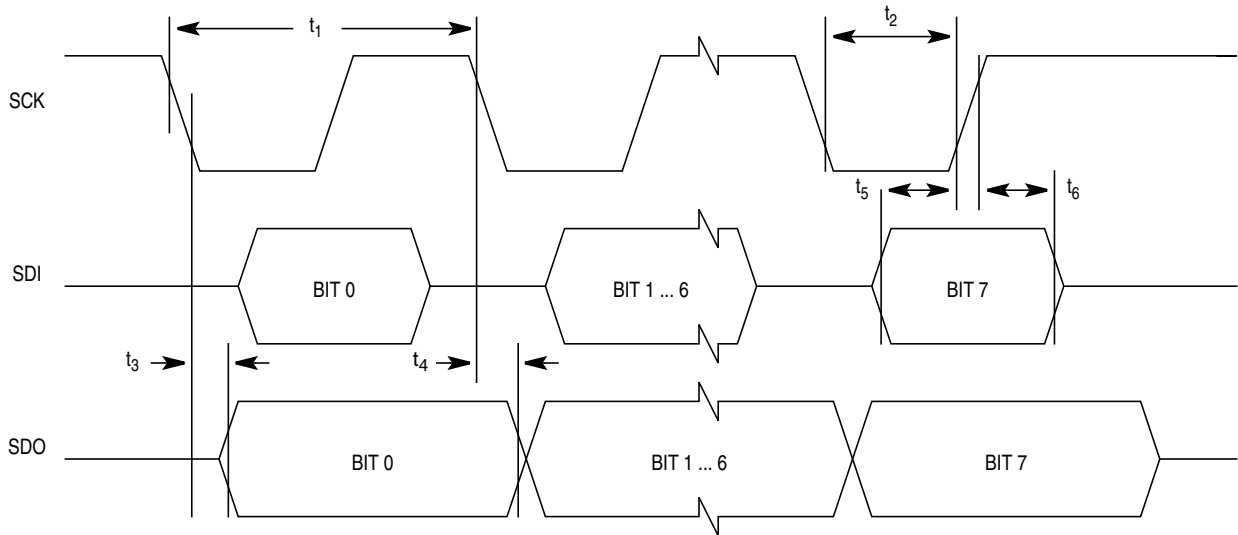


Figure 13-1. SIOPTiming Diagram

No.	Characteristic ⁽¹⁾	Symbol	Min	Max	Unit
	Operating frequency ⁽²⁾ Master Slave	$f_{OP(M)}$ $f_{OP(S)}$	1 dc	1 1	f_{OP}
1	Cycle time Master Slave	$t_{CYC(M)}$ $t_{CYC(S)}$	4.0 —	4.0 4.0	t_{CYC}
2	SCK low time	t_{CYC}	238	—	ns
3	SDO data valid time	t_V	—	200	ns
4	SDO hold time	t_{HO}	0	—	ns
5	SDI setup time	t_S	100	—	ns
6	SDI hold time	t_H	100	—	ns

1. $V_{DD} = 5.0 \text{ Vdc} \pm 10\%$, $V_{SS} = 0 \text{ Vdc}$, $T_A = -40^\circ\text{C}$ to $+125^\circ\text{C}$, unless otherwise noted

2. $f_{OP} = f_{OSC} \div 2$; $t_{CYC} = 1 \div f_{OP}$

13.10 PD5 Clock Out Timing (PD5 Clock Out Option Enabled)

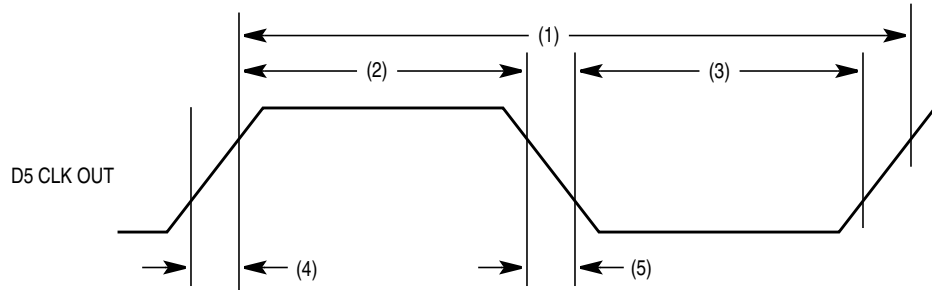


Figure 13-2. PD5 Clock Out Timing

Characteristic	Symbol	Min	Max	Unit
Cycle time	1	t_{CYC}		ns
Rise time	4	3.5	12	ns
Fall time	5	7.5	27.5	ns
Pulse width	2, 3	t_{OH}, t_{OL}	—	ns

NOTE: All timing is shown with respect to 20% and 70% V_{DD} . Maximum rise and fall times assume 44% duty cycle. Minimum rise and fall times assume 55% duty cycle.

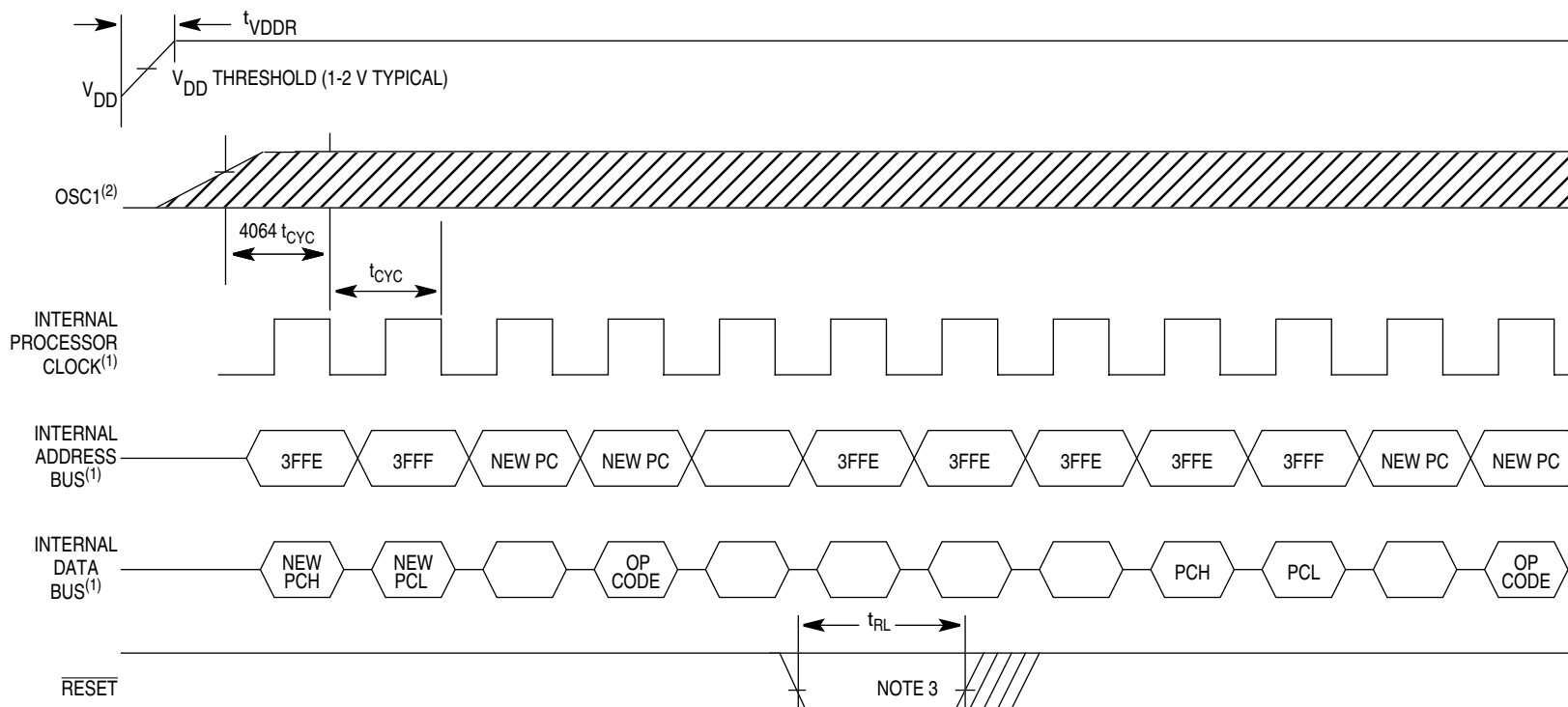
13.11 Control Timing

Characteristic ⁽¹⁾	Symbol	Min	Max	Unit
Frequency of operation Crystal option External clock source	f_{OSC}	— dc	4.2 4.2	MHz
Internal operating frequency Crystal ($f_{OSC} \div 2$) External clock ($f_{OSC} \div 2$)	f_{OP}	— dc	2.1 2.1	MHz
Cycle time Low speed High speed	t_{CYC}	476 238	—	ns
Crystal oscillator startup time	t_{OXON}	—	100	ms
Stop recovery startup time (crystal oscillator)	t_{ILCH}	—	100	ms
RESET pulse width	t_{RL}	1.5	—	t_{CYC}
Interrupt pulse width low (edge-triggered)	t_{ILIH}	125	—	ns
Interrupt pulse period ⁽²⁾	t_{ILIL}	Note 2	—	t_{CYC}
OSC1 pulse width Low speed High speed	t_{OH}, t_{OL}	200 100	—	ns
A/D on current stabilization time	t_{ADON}	—	100	μs
RC oscillator stabilization time	t_{RCON}	—	5.0	μs

1. $V_{DD} = 5.0$ Vdc, $V_{SS} = 0$ Vdc, $T_A = -40^\circ C$ to $+125^\circ C$, unless otherwise noted

2. The minimum period, t_{ILIL} , should not be less than the number of cycles it takes to execute the interrupt service routine plus $19 t_{CYC}$.

Technical Data



Notes:

1. Internal timing signal and bus information are not available externally.
2. OSC1 line is not meant to represent frequency. It is used only to represent time.
3. The next rising edge of the PH2 clock following the rising edge of $\overline{\text{RESET}}$ initiates the reset sequence.

Figure 13-3. Power-On Reset and External Reset Timing Diagram

MC68HC05P18A

Electrical Specifications
 For More Information On This Product,
 Go to: www.freescale.com

Section 14. Mechanical Specifications

14.1 Contents

14.2	Introduction	125
14.3	28-Pin Plastic Dual In-Line Package (Case #710)	126
14.4	28-Pin Small Outline Package (Case #751F)	126

14.2 Introduction

This section provides package dimension drawings for the 28-pin plastic dual in-line (PDIP) or 28-pin small outline (SOIC) packages.

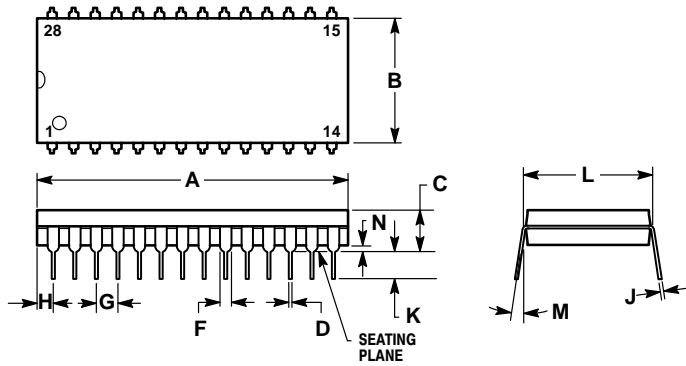
To make sure that you have the latest case outline specifications, contact:

- Local Motorola Sales Office
- Motorola Mfax
 - Phone 602-244-6609
 - EMAIL rmfax0@email.sps.mot.com
- Worldwide Web (wwweb) at <http://design-net.com>

Follow Mfax or wwweb on-line instructions to retrieve the current mechanical specifications.

Mechanical Specifications

14.3 28-Pin Plastic Dual In-Line Package (Case #710)

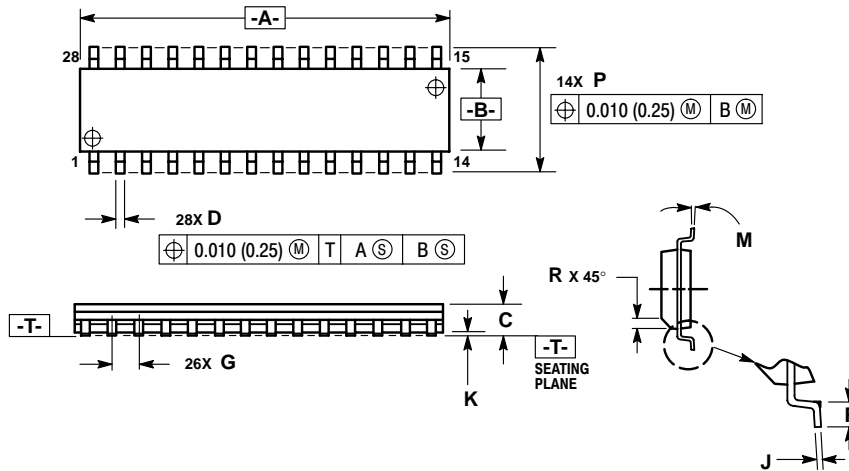


NOTES:

1. POSITIONAL TOLERANCE OF LEADS (D), SHALL BE WITHIN 0.25mm (0.010) AT MAXIMUM MATERIAL CONDITION, IN RELATION TO SEATING PLANE AND EACH OTHER.
2. DIMENSION L TO CENTER OF LEADS WHEN FORMED PARALLEL.
3. DIMENSION B DOES NOT INCLUDE MOLD FLASH.

DIM	MILLIMETERS		INCHES	
	MIN	MAX	MIN	MAX
A	36.45	37.21	1.435	1.465
B	13.72	14.22	0.540	0.560
C	3.94	5.08	0.155	0.200
D	0.36	0.56	0.014	0.022
F	1.02	1.52	0.040	0.060
G	2.54 BSC		0.100 BSC	
H	1.65	2.16	0.065	0.085
J	0.20	0.38	0.008	0.015
K	2.92	3.43	0.115	0.135
L	15.24 BSC		0.600 BSC	
M	0°	15°	0°	15°
N	0.51	1.02	0.020	0.040

14.4 28-Pin Small Outline Package (Case #751F)



NOTES:

1. DIMENSIONING AND TOLERANCING PER ANSI Y14.5M, 1982.
2. CONTROLLING DIMENSION: MILLIMETER.
3. DIMENSION A AND B DO NOT INCLUDE MOLD PROTRUSION.
4. MAXIMUM MOLD PROTRUSION 0.15 (0.006) PER SIDE.
5. DIMENSION D DOES NOT INCLUDE DAMBAR PROTRUSION. ALLOWABLE DAMBAR PROTRUSION SHALL BE 0.13 (0.005) TOTAL IN EXCESS OF D DIMENSION AT MAXIMUM MATERIAL CONDITION.

DIM	MILLIMETERS		INCHES	
	MIN	MAX	MIN	MAX
A	17.80	18.05	0.701	0.711
B	7.40	7.60	0.292	0.299
C	2.35	2.65	0.093	0.104
D	0.35	0.49	0.014	0.019
F	0.41	0.90	0.016	0.035
G	1.27 BSC		0.050 BSC	
J	0.23	0.32	0.009	0.013
K	0.13	0.29	0.005	0.011
M	0°	8°	0°	8°
P	10.05	10.55	0.395	0.415
R	0.25	0.75	0.010	0.029

Section 15. Ordering Information

15.1 Contents

15.2 Introduction127
 15.3 MC Order Numbers127

15.2 Introduction

This section contains instructions for ordering the MC68HC05P18A.

15.3 MC Order Numbers

Table 15-1 shows the MC order numbers for the available package types.

Table 15-1. MC Order Numbers

MC Order Number ⁽¹⁾	Operating Temperature Range
MC68HC05P18AP (standard)	0°C to 70°C
MC68HC05P18ADW (standard)	0°C to 70°C
MC68HC05P18ACP (extended)	-40°C to +85°C
MC68HC05P18ACDW (extended)	-40°C to +85°C
MC68HC05P18AMP (automotive)	-40°C to +125°C
MC68HC05P18AMDW (automotive)	-40°C to +125°C

1. P = Plastic dual in-line package
 DW = Small outline (wide body) package

Freescale Semiconductor, Inc.

Home Page:

www.freescale.com

email:

support@freescale.com

USA/Europe or Locations Not Listed:

Freescale Semiconductor
Technical Information Center, CH370
1300 N. Alma School Road
Chandler, Arizona 85224
(800) 521-6274
480-768-2130
support@freescale.com

Europe, Middle East, and Africa:

Freescale Halbleiter Deutschland GmbH
Technical Information Center
Schatzbogen 7
81829 Muenchen, Germany
+44 1296 380 456 (English)
+46 8 52200080 (English)
+49 89 92103 559 (German)
+33 1 69 35 48 48 (French)
support@freescale.com

Japan:

Freescale Semiconductor Japan Ltd.
Headquarters
ARCO Tower 15F
1-8-1, Shimo-Meguro, Meguro-ku
Tokyo 153-0064, Japan
0120 191014
+81 2666 8080
support.japan@freescale.com

Asia/Pacific:

Freescale Semiconductor Hong Kong Ltd.
Technical Information Center
2 Dai King Street
Tai Po Industrial Estate,
Tai Po, N.T., Hong Kong
+800 2666 8080
support.asia@freescale.com

For Literature Requests Only:

Freescale Semiconductor
Literature Distribution Center
P.O. Box 5405
Denver, Colorado 80217
(800) 441-2447
303-675-2140
Fax: 303-675-2150
LDCForFreescaleSemiconductor@hibbertgroup.com

RoHS-compliant and/or Pb- free versions of Freescale products have the functionality and electrical characteristics of their non-RoHS-compliant and/or non-Pb- free counterparts. For further information, see <http://www.freescale.com> or contact your Freescale sales representative.

For information on Freescale's Environmental Products program, go to <http://www.freescale.com/epp>.

Information in this document is provided solely to enable system and software implementers to use Freescale Semiconductor products. There are no express or implied copyright licenses granted hereunder to design or fabricate any integrated circuits or integrated circuits based on the information in this document. Freescale Semiconductor reserves the right to make changes without further notice to any products herein. Freescale Semiconductor makes no warranty, representation or guarantee regarding the suitability of its products for any particular purpose, nor does Freescale Semiconductor assume any liability arising out of the application or use of any product or circuit, and specifically disclaims any and all liability, including without limitation consequential or incidental damages. "Typical" parameters which may be provided in Freescale Semiconductor data sheets and/or specifications can and do vary in different applications and actual performance may vary over time. All operating parameters, including "Typicals" must be validated for each customer application by customer's technical experts. Freescale Semiconductor does not convey any license under its patent rights nor the rights of others. Freescale Semiconductor products are not designed, intended, or authorized for use as components in systems intended for surgical implant into the body, or other applications intended to support or sustain life, or for any other application in which the failure of the Freescale Semiconductor product could create a situation where personal injury or death may occur. Should Buyer purchase or use Freescale Semiconductor products for any such unintended or unauthorized application, Buyer shall indemnify and hold Freescale Semiconductor and its officers, employees, subsidiaries, affiliates, and distributors harmless against all claims, costs, damages, and expenses, and reasonable attorney fees arising out of, directly or indirectly, any claim of personal injury or death associated with such unintended or unauthorized use, even if such claim alleges that Freescale Semiconductor was negligent regarding the design or manufacture of the part.

