

74ACT258

Quad 2-Input Multiplexer with 3-STATE Outputs

Features

- I_{CC} and I_{OZ} reduced by 50%
- Multiplexer expansion by tying outputs together
- Inverting 3-STATE outputs
- Outputs source/sink 24mA
- TTL-compatible inputs

General Description

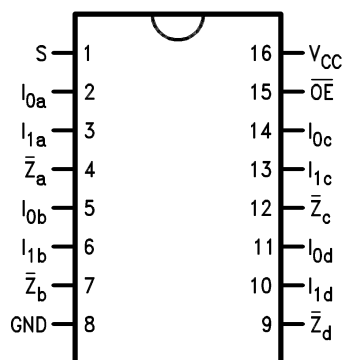
The ACT258 is a quad 2-input multiplexer with 3-STATE outputs. Four bits of data from two sources can be selected using a common data select input. The four outputs present the selected data in the complement (inverted) form. The outputs may be switched to a high impedance state with a HIGH on the common Output Enable (\overline{OE}) input, allowing the outputs to interface directly with bus-oriented systems.

Ordering Information

| Order Number | Package Number | Package Description |
|--------------|----------------|---|
| 74ACT258SC | M16A | 16-Lead Small Outline Integrated Circuit (SOIC), JEDEC MS-012, 0.150" Narrow Body |
| 74ACT258SJ | M16D | 16-Lead Small Outline Package (SOP), EIAJ TYPE 11, 5.3mm Wide |
| 74ACT258MTC | MTC16 | 16-Lead Thin Shrink Small Outline Package (TSSOP), JEDEC MO-153, 4.4mm Wide |

Device also available in Tape and Reel. Specify by appending suffix letter "X" to the ordering number.

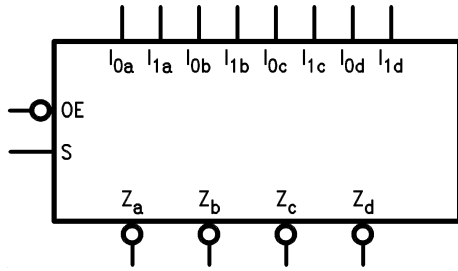
Connection Diagram



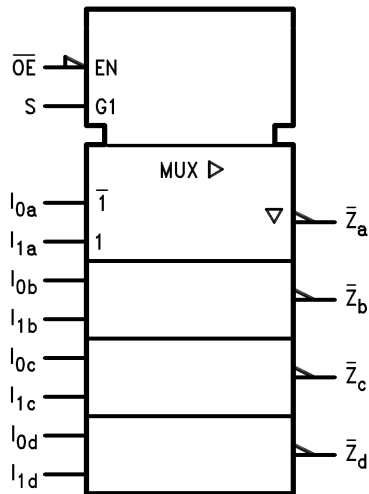
Pin Description

| Pin Names | Description |
|---------------------------------|--------------------------------|
| S | Common Data Select Input |
| \overline{OE} | 3-STATE Output Enable Input |
| $I_{0a}-I_{0d}$ | Data Inputs from Source 0 |
| $I_{1a}-I_{1d}$ | Data Inputs from Source 1 |
| $\overline{Z}_a-\overline{Z}_d$ | 3-STATE Inverting Data Outputs |

Logic Symbol



IEEE/IEC



Functional Description

The ACT258 is a quad 2-input multiplexer with 3-STATE outputs. It selects four bits of data from two sources under control of a common Select input (S). When the Select input is LOW, the I_{0x} inputs are selected and when Select is HIGH, the I_{1x} inputs are selected. The data on the selected inputs appears at the outputs in inverted form. The ACT258 is the logic implementation of a 4-pole, 2-position switch where the position of the switch is determined by the logic levels supplied to the Select input. The logic equations for the outputs are shown below:

$$\bar{Z}_a = \overline{OE} \cdot (I_{1a} \cdot S + I_{0a} \cdot \bar{S})$$

$$\bar{Z}_b = \overline{OE} \cdot (I_{1b} \cdot S + I_{0b} \cdot \bar{S})$$

$$\bar{Z}_c = \overline{OE} \cdot (I_{1c} \cdot S + I_{0c} \cdot \bar{S})$$

$$\bar{Z}_d = \overline{OE} \cdot (I_{1d} \cdot S + I_{0d} \cdot \bar{S})$$

When the Output Enable input (\overline{OE}) is HIGH, the outputs are forced to a high impedance state. If the outputs of the 3-STATE devices are tied together, all but one device must be in the high impedance state to avoid high currents that would exceed the maximum ratings. Designers should ensure that Output Enable signals to 3-STATE devices whose outputs are tied together are designed so there is no overlap.

Truth Table

| Output Enable | Select Input | Data Inputs | | Outputs |
|-----------------|--------------|----------------|----------------|-----------|
| \overline{OE} | S | I ₀ | I ₁ | \bar{Z} |
| H | X | X | X | Z |
| L | H | X | L | H |
| L | H | X | H | L |

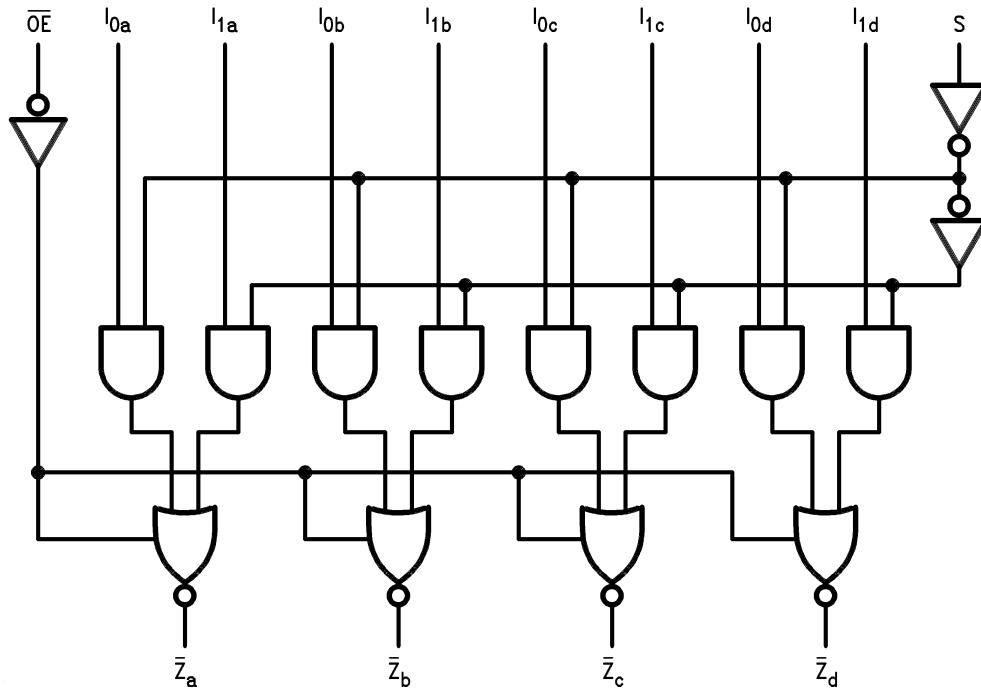
H = HIGH Voltage Level

L = LOW Voltage Level

X = Immaterial

Z = High Impedance

Logic Diagram



Please note that this diagram is provided only for the understanding of logic operations and should not be used to estimate propagation delays.

Figure 1.

Absolute Maximum Ratings

Stresses exceeding the absolute maximum ratings may damage the device. The device may not function or be operable above the recommended operating conditions and stressing the parts to these levels is not recommended. In addition, extended exposure to stresses above the recommended operating conditions may affect device reliability. The absolute maximum ratings are stress ratings only.

| Symbol | Parameter | Rating |
|-----------------------|---|--------------------------|
| V_{CC} | Supply Voltage | -0.5V to +7.0V |
| I_{IK} | DC Input Diode Current $V_I = -0.5V$ $V_I = V_{CC} + 0.5V$ | -20mA +20mA |
| V_I | DC Input Voltage | -0.5V to $V_{CC} + 0.5V$ |
| I_{OK} | DC Output Diode Current $V_O = -0.5V$ $V_O = V_{CC} + 0.5V$ | -20mA +20mA |
| V_O | DC Output Voltage | -0.5V to $V_{CC} + 0.5V$ |
| I_O | DC Output Source or Sink Current | $\pm 50mA$ |
| I_{CC} or I_{GND} | DC V_{CC} or Ground Current per Output Pin | $\pm 50mA$ |
| T_{STG} | Storage Temperature | -65°C to +150°C |
| T_J | Junction Temperature | 140°C |

Recommended Operating Conditions

The Recommended Operating Conditions table defines the conditions for actual device operation. Recommended operating conditions are specified to ensure optimal performance to the datasheet specifications. Fairchild does not recommend exceeding them or designing to absolute maximum ratings.

| Symbol | Parameter | Rating |
|-----------------------|---|----------------|
| V_{CC} | Supply Voltage | 4.5V to 5.5V |
| V_I | Input Voltage | 0V to V_{CC} |
| V_O | Output Voltage | 0V to V_{CC} |
| T_A | Operating Temperature | -40°C to +85°C |
| $\Delta V / \Delta t$ | Minimum Input Edge Rate: V_{IN} from 0.8V to 2.0V, V_{CC} @ 4.5V, 5.5V | 125mV/ns |

DC Electrical Characteristics

| Symbol | Parameter | V _{CC} (V) | Conditions | T _A = +25°C | | T _A = -40°C to +85°C | | Units | |
|------------------|---|------------------------|--|------------------------|-------------------|---------------------------------|------|-------|--|
| | | | | Typ. | Guaranteed Limits | | | | |
| V _{IH} | Minimum HIGH Level Input Voltage | 4.5 | V _{OUT} = 0.1V or V _{CC} - 0.1V | 1.5 | 2.0 | 2.0 | | V | |
| | | 5.5 | | 1.5 | 2.0 | 2.0 | | | |
| V _{IL} | Maximum LOW Level Input Voltage | 4.5 | V _{OUT} = 0.1V or V _{CC} - 0.1V | 1.5 | 0.8 | 0.8 | | V | |
| | | 5.5 | | 1.5 | 0.8 | 0.8 | | | |
| V _{OH} | Minimum HIGH Level Output Voltage | 4.5 | I _{OUT} = -50μA | 4.49 | 4.4 | 4.4 | | V | |
| | | 5.5 | | 5.49 | 5.4 | 5.4 | | | |
| | | 4.5 | V _{IN} = V _{IL} or V _{IH} ; I _{OH} = -24mA | | | 3.86 | 3.76 | | |
| | | 5.5 | I _{OH} = -24mA ⁽¹⁾ | | | 4.86 | 4.76 | | |
| V _{OL} | Maximum LOW Level Output Voltage | 4.5 | I _{OUT} = 50μA | 0.001 | 0.1 | 0.1 | | V | |
| | | 5.5 | | 0.001 | 0.1 | 0.1 | | | |
| | | 4.5 | V _{IN} = V _{IL} or V _{IH} ; I _{OL} = 24mA | | | 0.36 | 0.44 | | |
| | | 5.5 | I _{OL} = 24mA ⁽¹⁾ | | | 0.36 | 0.44 | | |
| I _{IN} | Maximum Input Leakage Current | 5.5 | V _I = V _{CC} , GND | | ±0.1 | ±1.0 | | μA | |
| I _{OZ} | Maximum 3-STATE Current | 5.5 | V _I = V _{IL} , V _{IH} ; V _O = V _{CC} , GND | | ±0.25 | ±2.5 | | μA | |
| I _{CCT} | Maximum I _{CC} /Input | 5.5 | V _I = V _{CC} - 2.1V | 0.6 | | 1.5 | | mA | |
| I _{OLD} | Minimum Dynamic Output Current ⁽²⁾ | 5.5 | V _{OLD} = 1.65V Max. | | | 75 | | mA | |
| I _{OHD} | | 5.5 | V _{OHD} = 3.85V Min. | | | -75 | | mA | |
| I _{CC} | Maximum Quiescent Supply Current | 5.5 | V _{IN} = V _{CC} or GND | | 4.0 | 40.0 | | μA | |

Notes:

1. All outputs loaded; thresholds on input associated with output under test.
2. Maximum test duration 2.0ms, one output loaded at a time.

AC Electrical Characteristics

| Symbol | Parameter | V_{CC} (V) ⁽³⁾ | $T_A = +25^\circ\text{C}$, $C_L = 50\text{pF}$ | | | $T_A = -40^\circ\text{C to } +85^\circ\text{C}$, $C_L = 50\text{pF}$ | | Units |
|-----------|---|-----------------------------|--|------|------|--|------|-------|
| | | | Min. | Typ. | Max. | Min. | Max. | |
| t_{PLH} | Propagation Delay, I_n to \bar{Z}_n | 5.0 | 2.0 | 6.5 | 8.5 | 1.5 | 9.5 | ns |
| t_{PHL} | Propagation Delay, I_n to \bar{Z}_n | 5.0 | 2.0 | 5.5 | 7.5 | 1.5 | 8.0 | ns |
| t_{PLH} | Propagation Delay, S to \bar{Z}_n | 5.0 | 3.0 | 7.5 | 10.5 | 2.0 | 11.5 | ns |
| t_{PHL} | Propagation Delay, S to \bar{Z}_n | 5.0 | 1.5 | 7.0 | 9.5 | 1.5 | 11.0 | ns |
| t_{PZH} | Output Enable Time | 5.0 | 2.0 | 6.5 | 8.5 | 1.5 | 9.5 | ns |
| t_{PZL} | Output Enable Time | 5.0 | 2.0 | 6.5 | 8.5 | 1.5 | 9.5 | ns |
| t_{PHZ} | Output Disable Time | 5.0 | 1.5 | 7.0 | 9.0 | 1.0 | 10.0 | ns |
| t_{PLZ} | Output Disable Time | 5.0 | 2.0 | 6.0 | 8.0 | 1.5 | 9.0 | ns |

Notes:

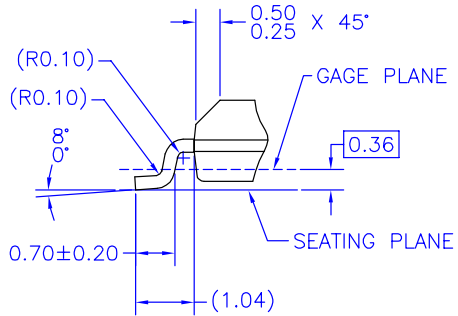
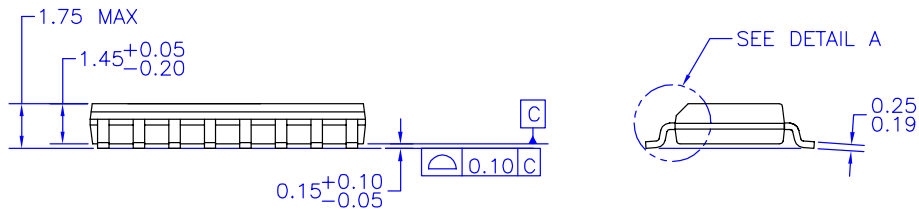
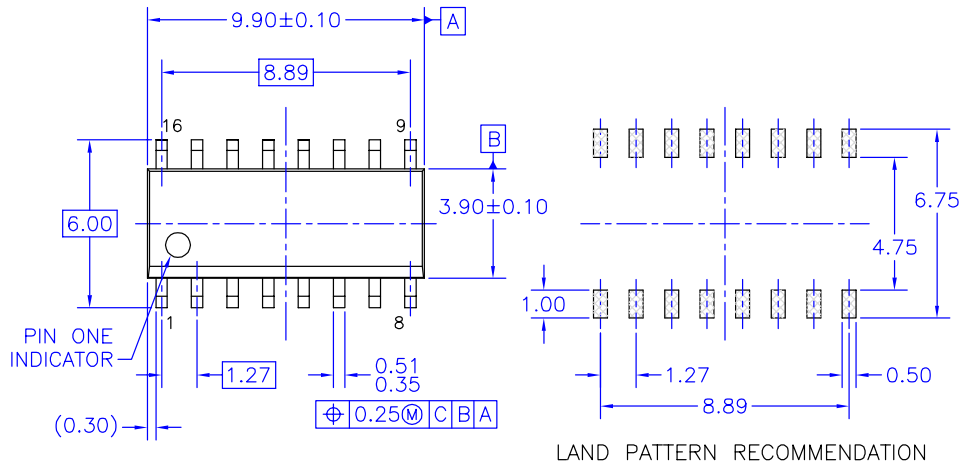
3. Voltage range 5.0 is $5.0\text{V} \pm 0.5\text{V}$.

Capacitance

| Symbol | Parameter | Conditions | Typ. | Units |
|----------|-------------------------------|------------------------|------|-------|
| C_{IN} | Input Capacitance | $V_{CC} = \text{OPEN}$ | 4.5 | pF |
| C_{PD} | Power Dissipation Capacitance | $V_{CC} = 5.0\text{V}$ | 55.0 | pF |

Physical Dimensions

Dimensions are in millimeters unless otherwise noted.



NOTES: UNLESS OTHERWISE SPECIFIED

- A) THIS PACKAGE CONFORMS TO JEDEC MS-012, VARIATION AC, ISSUE C, DATED MAY 1990.
- B) ALL DIMENSIONS ARE IN MILLIMETERS.
- C) DIMENSIONS DO NOT INCLUDE MOLD FLASH OR BURRS.
- D) STANDARD LEAD FINISH:
200 MICRONS / 5.08 MICRONS MIN.
LEAD/TIN (SOLDER) ON COPPER.

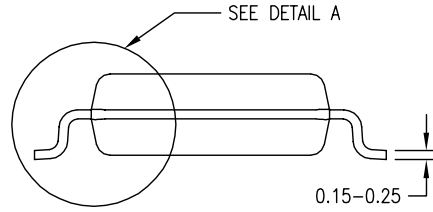
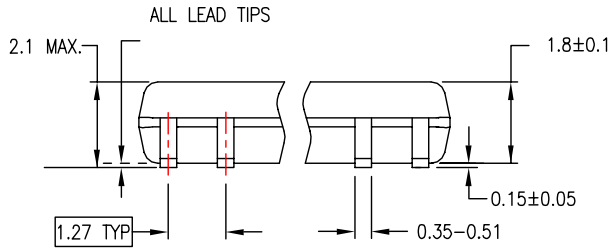
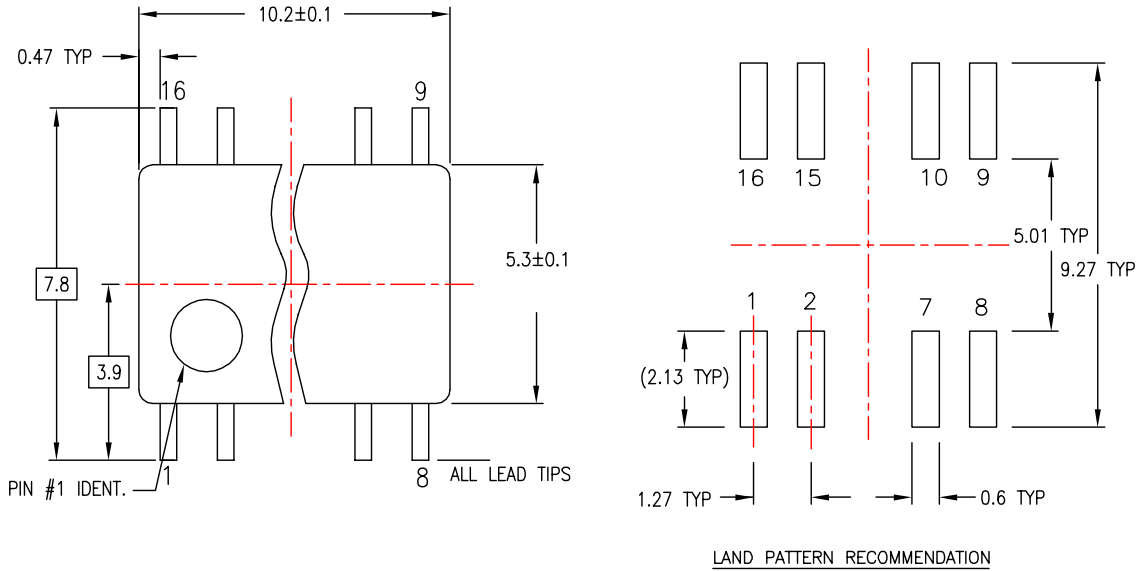
DETAIL A
SCALE: 2:1

M16AREVK

Figure 2. 16-Lead Small Outline Integrated Circuit (SOIC), JEDEC MS-012, 0.150" Narrow Package Number M16A

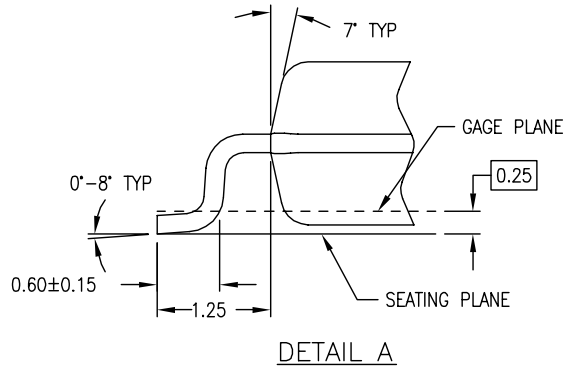
Physical Dimensions (Continued)

Dimensions are in millimeters unless otherwise noted.



DIMENSIONS ARE IN MILLIMETERS

- NOTES:
 A. CONFORMS TO EIAJ EDR-7320 REGISTRATION, ESTABLISHED IN DECEMBER, 1998.
 B. DIMENSIONS ARE IN MILLIMETERS.
 C. DIMENSIONS ARE EXCLUSIVE OF BURRS, MOLD FLASH, AND TIE BAR EXTRUSIONS.

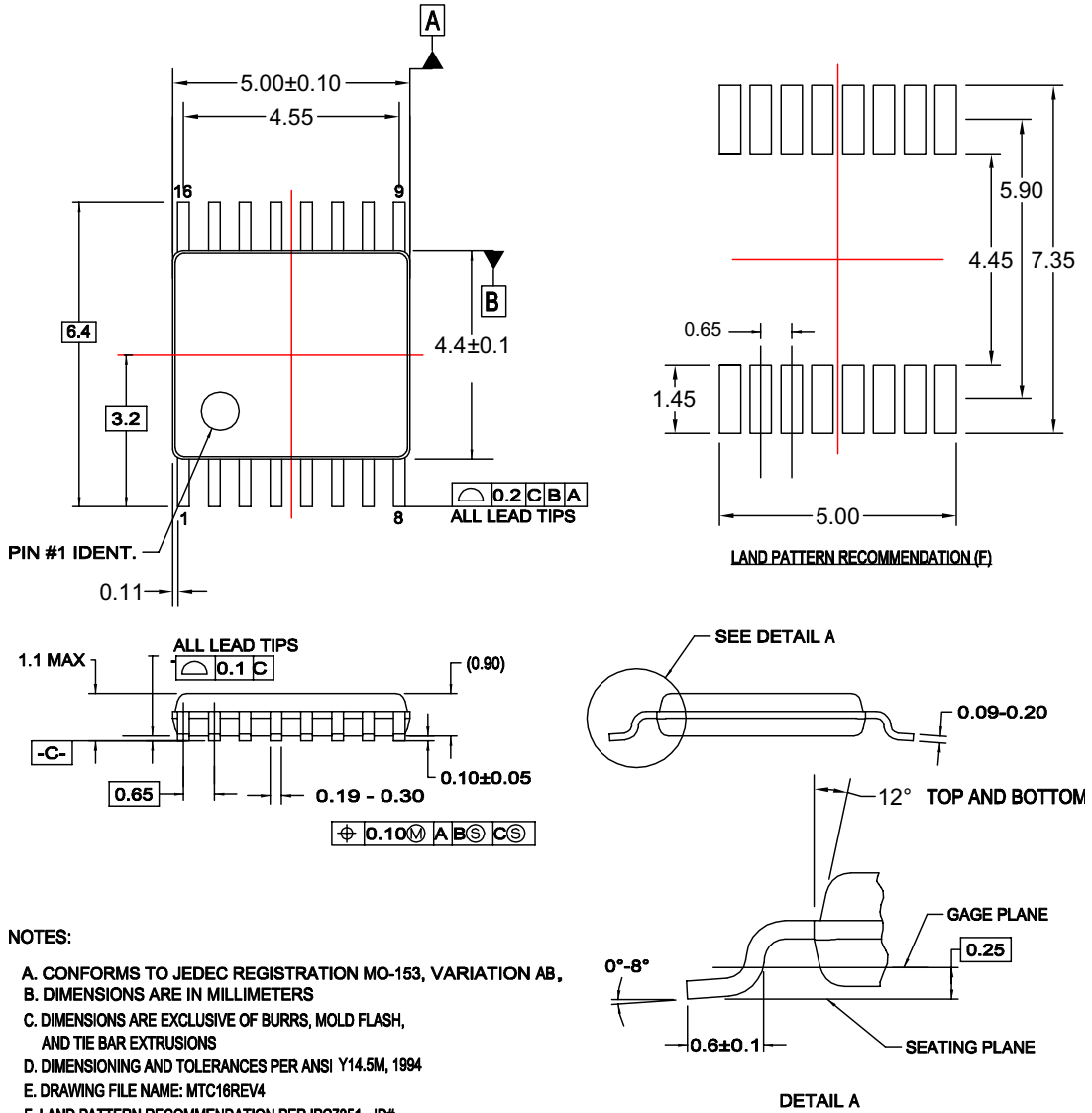


M16DREVC

Figure 3. 16-Lead Small Outline Package (SOP), EIAJ TYPE II, 5.3mm Wide Package Number M16D

Physical Dimensions (Continued)

Dimensions are in millimeters unless otherwise noted.



- NOTES:**
- A. CONFORMS TO JEDEC REGISTRATION MO-153, VARIATION AB,
 - B. DIMENSIONS ARE IN MILLIMETERS
 - C. DIMENSIONS ARE EXCLUSIVE OF BURRS, MOLD FLASH, AND TIE BAR EXTRUSIONS
 - D. DIMENSIONING AND TOLERANCES PER ANSI Y14.5M, 1994
 - E. DRAWING FILE NAME: MTC16REV4
 - F. LAND PATTERN RECOMMENDATION PER IPC7351 - ID# TSOP65P640X110-16N


MTC16rev4

Figure 4. 16-Lead Thin Shrink Small Outline Package (TSSOP), JEDEC MO-153, 4.4mm Wide Package Number MTC16



TRADEMARKS

The following are registered and unregistered trademarks Fairchild Semiconductor owns or is authorized to use and is not intended to be an exhaustive list of all such trademarks.

| | | | |
|--|--------------------------------|---|-----------------------------|
| ACEx [®] | HiSeC [™] | Programmable Active Droop [™] | TinyLogic [®] |
| Across the board. Around the world. [™] | <i>i-Lo</i> [™] | QFET [®] | TINYOPTO [™] |
| ActiveArray [™] | ImpliedDisconnect [™] | QS [™] | TinyPower [™] |
| Bottomless [™] | IntelliMAX [™] | QT Optoelectronics [™] | TinyWire [™] |
| Build it Now [™] | ISOPLANAR [™] | Quiet Series [™] | TruTranslation [™] |
| CoolFET [™] | MICROCOUPLER [™] | RapidConfigure [™] | μSerDes [™] |
| CROSSVOLT [™] | MicroPak [™] | RapidConnect [™] | UHC [®] |
| CTL [™] | MICROWIRE [™] | ScalarPump [™] | UniFET [™] |
| Current Transfer Logic [™] | MSX [™] | SMART START [™] | VCX [™] |
| DOME [™] | MSXPro [™] | SPM [®] | Wire [™] |
| E ² CMOS [™] | OCX [™] | STEALTH [™] | |
| EcoSPARK [®] | OCXPro [™] | SuperFET [™] | |
| EnSigna [™] | OPTOLOGIC [®] | SuperSOT [™] -3 | |
| FACT Quiet Series [™] | OPTOPLANAR [®] | SuperSOT [™] -6 | |
| FACT [®] | PACMAN [™] | SuperSOT [™] -8 | |
| FAST [®] | POP [™] | SyncFET [™] | |
| FASTr [™] | Power220 [®] | TCM [™] | |
| FPS [™] | Power247 [®] | The Power Franchise [®] | |
| FRFET [®] | PowerEdge [™] |  ™ | |
| GlobalOptoisolator [™] | PowerSaver [™] | TinyBoost [™] | |
| GTO [™] | PowerTrench [®] | TinyBuck [™] | |

DISCLAIMER

FAIRCHILD SEMICONDUCTOR RESERVES THE RIGHT TO MAKE CHANGES WITHOUT FURTHER NOTICE TO ANY PRODUCTS HEREIN TO IMPROVE RELIABILITY, FUNCTION OR DESIGN. FAIRCHILD DOES NOT ASSUME ANY LIABILITY ARISING OUT OF THE APPLICATION OR USE OF ANY PRODUCT OR CIRCUIT DESCRIBED HEREIN; NEITHER DOES IT CONVEY ANY LICENSE UNDER ITS PATENT RIGHTS, NOR THE RIGHTS OF OTHERS. THESE SPECIFICATIONS DO NOT EXPAND THE TERMS OF FAIRCHILD'S WORLDWIDE TERMS AND CONDITIONS, SPECIFICALLY THE WARRANTY THEREIN, WHICH COVERS THESE PRODUCTS.

LIFE SUPPORT POLICY

FAIRCHILD'S PRODUCTS ARE NOT AUTHORIZED FOR USE AS CRITICAL COMPONENTS IN LIFE SUPPORT DEVICES OR SYSTEMS WITHOUT THE EXPRESS WRITTEN APPROVAL OF FAIRCHILD SEMICONDUCTOR CORPORATION.

As used herein:

1. Life support devices or systems are devices or systems which, (a) are intended for surgical implant into the body or (b) support or sustain life, and (c) whose failure to perform when properly used in accordance with instructions for use provided in the labeling, can be reasonably expected to result in a significant injury of the user.
2. A critical component in any component of a life support, device, or system whose failure to perform can be reasonably expected to cause the failure of the life support device or system, or to affect its safety or effectiveness.

PRODUCT STATUS DEFINITIONS

Definition of Terms

| Datasheet Identification | Product Status | Definition |
|--------------------------|------------------------|--|
| Advance Information | Formative or In Design | This datasheet contains the design specifications for product development. Specifications may change in any manner without notice. |
| Preliminary | First Production | This datasheet contains preliminary data; supplementary data will be published at a later date. Fairchild Semiconductor reserves the right to make changes at any time without notice to improve design. |
| No Identification Needed | Full Production | This datasheet contains final specifications. Fairchild Semiconductor reserves the right to make changes at any time without notice to improve design. |
| Obsolete | Not In Production | This datasheet contains specifications on a product that has been discontinued by Fairchild Semiconductor. The datasheet is printed for reference information only. |

Rev. I24