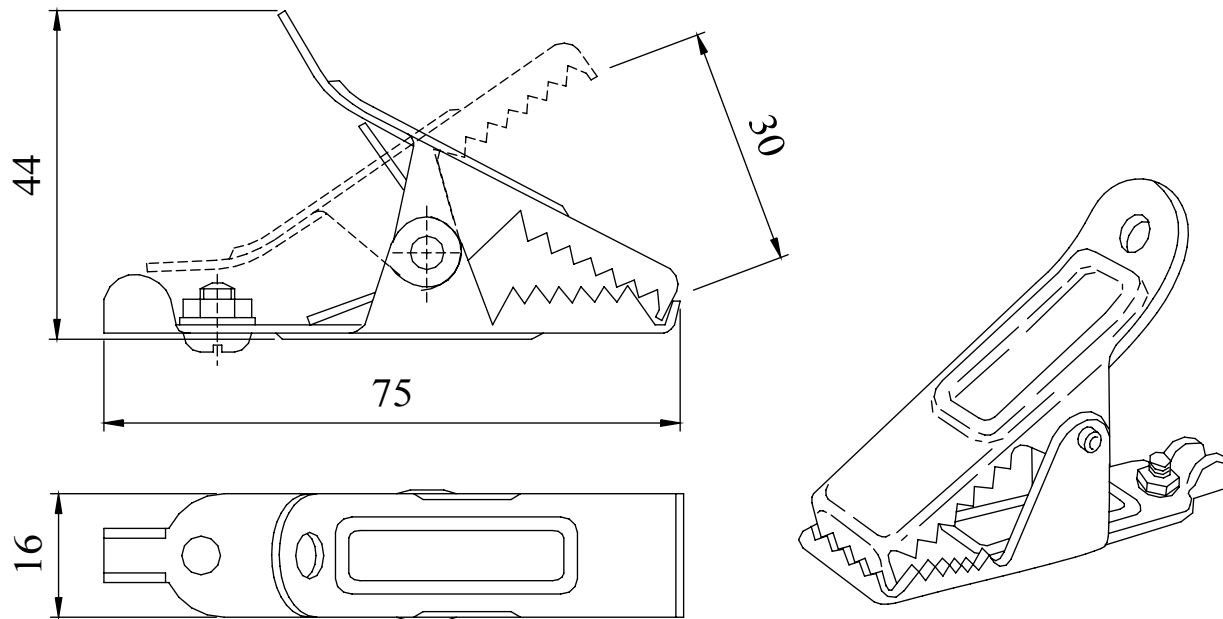


General purpose crocodile clip, manufactured from bright mild steel. Large (30mm) jaw opening makes it suitable as a battery clip. The integral cable clamp has a secure 4mm screw fixing, and the enhanced finger grip ensures a simple operation.

MATERIAL CLIP	: Bright Mild Steel CS4, nickel plated
SCREW / NUT & WASHER	: M4 x 6mm, Steel, nickel plated
Current Rating	: 25 Amps
RATED VOLTAGE:	: 50V

Dimensions



Tel No. +44(0)1724 273200 Website www.dem-uk.com

PROPRIETARY AND CONFIDENTIAL
THE INFORMATION CONTAINED IN THIS DRAWING IS THE SOLE PROPERTY OF ALPHA 3 MANUFACTURING.
ANY REPRODUCTION IN PART OR AS A WHOLE WITHOUT THE WRITTEN PERMISSION OF ALPHA 3 MANUFACTURING IS PROHIBITED.

UNLESS OTHERWISE SPECIFIED:
DIMENSIONS ARE IN MILLIMETRES
LINEAR TOLERANCE:
NO DECIMAL PLACES $\pm 0.5\text{mm}$
1 DECIMAL PLACE $\pm 0.25\text{mm}$
2 DECIMAL PLACES $\pm 0.125\text{mm}$
ANGULAR TOLERANCE: $\pm 1^\circ$



DEM Manufacturing, Deltron Emcon House
Hargreaves Way, Sawcliffe Ind. Park,
Scunthorpe, North Lincolnshire, DN15 8RF, UK

FINISH	LARGE CROCODILE CLIP	DEBURR AND BREAK SHARP EDGES
IF IN DOUBT ASK DO NOT SCALE DRAWING		
MATERIAL	SEE NOTE	

DRAWN BY	SPB
APPROVED BY	WC
THIRD ANGLE PROJECTION	

SHEET 1 OF 1
SCALE 1:1
A4

TITLE	GENERAL SPECIFICATION LARGE CROCODILE CLIP	
DRAWING NO.	304-0000	ISSUE 04 Release