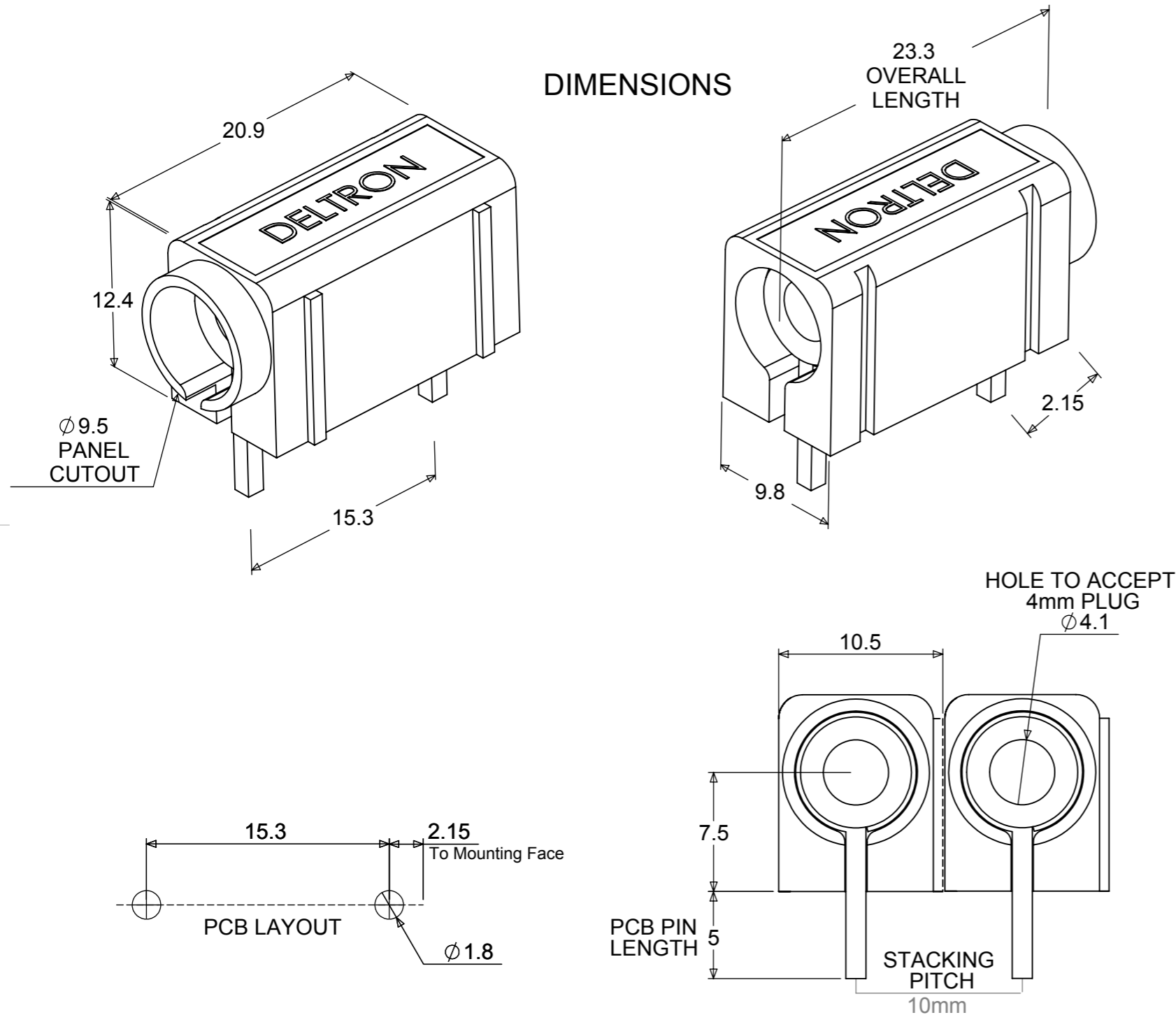


A single insulated 4mm socket, for direct mounting onto printer circuit boards. has grooves in the outer acetel housing which provide side stacking alignment.

DIMENSIONS



Insulant	Acetal-LG chemical LUCEL N127-LD/DN127-LD	Acetal - C27021 R
Pin	Brass silver plate	Brass Micron Silver Plated Deltron Spec 09-001
Bush	Brass silver plate	Brass Micron Silver Plated Deltron Spec 10-001
Amps	10A	
Nominal working Voltage	250 V RMS	
Contact Resistance	10mΩ	
Maximum Temperature RTI	+ 110°C	
Minimum temperature	- 25°C	
Recommended Temperature	10A@55°C	
Voltage Breakdown	5000v	
Conductor size	1.5mm ²	
Colours	ORDER CODE	
Black	571-0100	
Blue	571-0200	
Brown	571-0300	
Green	571-0400	
Red	571-0500	
White	571-0600	
Yellow	571-0700	

90° PCB MOUNTED INSULATED SOCKET-SINGLE



PROPRIETARY AND CONFIDENTIAL
 THE INFORMATION CONTAINED IN THIS DRAWING IS THE SOLE PROPERTY OF DEM MANUFACTURING.
 ANY REPRODUCTION IN PART OR AS A WHOLE WITHOUT THE WRITTEN PERMISSION OF DEM MANUFACTURING IS PROHIBITED.



Drawn by SPB 19/02/09
 FINISH:
 .
 .
 .
 THIRD ANGLE PROJECTION
 DEBUR AND BREAK SHARP EDGES
 IF IN DOUBT ASK DO NOT SCALE DRAWING

UNLESS OTHERWISE SPECIFIED: DIMENSIONS ARE IN MILLIMETRES
 LINEAR TOLERANCES:
 NO DECIMAL PLACES ±0.5mm
 1 DECIMAL PLACE ±0.1mm
 2 DECIMAL PLACES ±0.03mm
 ANGULAR TOLERANCES: ±1°
 MATERIAL:

A3 TITLE: GENERAL SPECIFICATION FOR 571 SERIES
 DWG NO. 571-SERIES
 10 ISSUE