

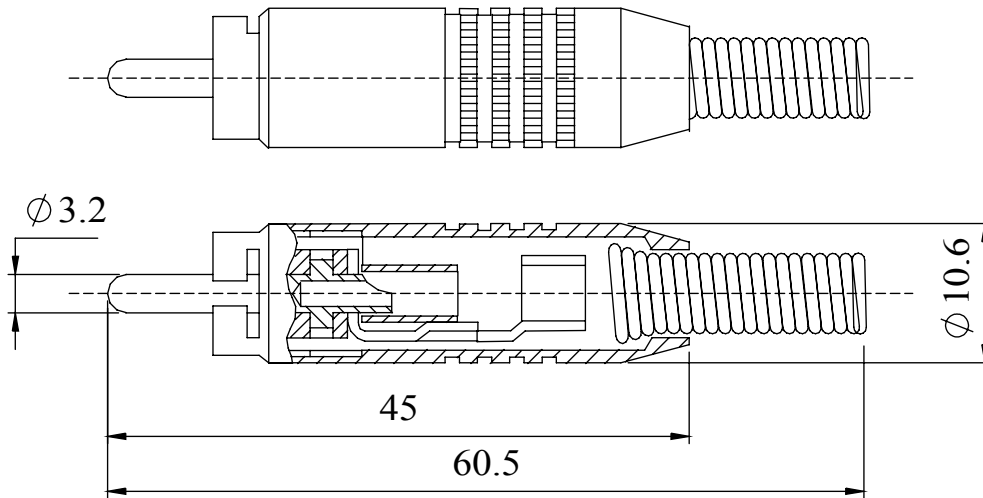
A range of high quality UK manufactured phono plug made from machined brass with various plating options. The aluminium housing is anodised in various colours for easy identification.

- Centre contact is a solid pin with a large scalloped solder bucket.
- Grounded contact with precision machined 'T' shape slot for maximum contact.
- Cable clamp for cable gripping and dual grounding.
- Attractive body styling.

| | |
|------------------|-------------------------------|
| Material | |
| Centre Contact | : Brass Flash gold plate |
| Grounded Contact | : Brass Flash gold plate |
| Insulation | : PTFE |
| Collet | : Brass, flash gold plate |
| Phono Cap | : Brass Black chrome plate |

Ratings-
 Rated Current: 5A.
 Rated Voltage: 50V.
 Insulation resistance
 100m W 500 Vdc

Dimensions



| Deltron Part No. | Description |
|------------------|--------------------------|
| 346-0100 | BLACK ANODISED CAP PLUG |
| 346-0200 | BLUE ANODISED CAP PLUG |
| 346-0500 | RED ANODISED CAP PLUG |
| 346-0700 | YELLOW ANODISED CAP PLUG |