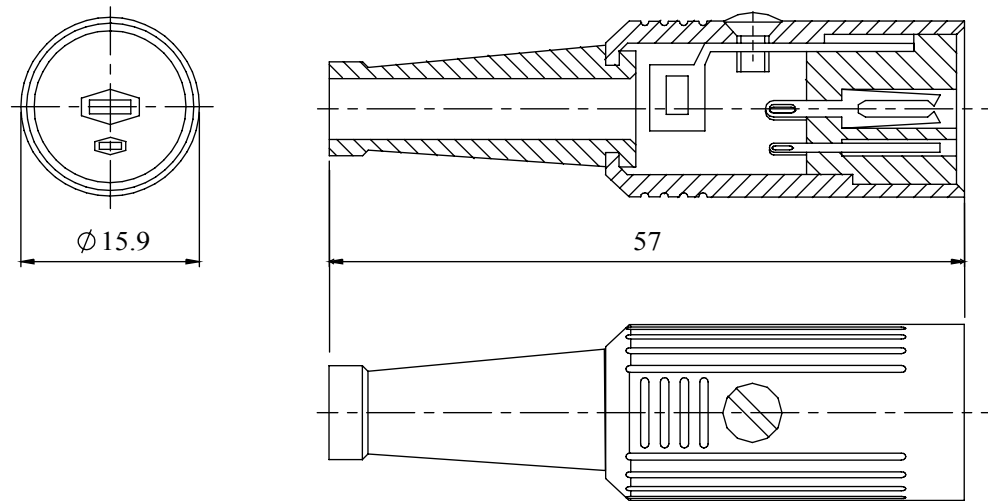


A standard non-latching, speaker, line socket connector, available in bright nickel finish. A lockable version is also available.

Dimensions



MATERIAL
HOUSING : Zinc Alloy, bright nickel
PIN BASE : Nylon
CONTACTS : Brass, silver plate
CABLE CLAMP : Plated Mild Steel
GROMMET : PVC, black

RATED VOLTAGE : 34V
TEST VOLTAGE : 1000 Vdc
CURRENT RATING : 4 Amps
INSULATION RESIST : 10 Ω min @ 100 Vdc
CONTACT RESIST : 10m Ω max
CAPACITY (mated) : 3 pF
TEMP. RANGE : -25°C to +70°C

Tel No. +44(0)1724 273200 Website www.dem-uk.com



PROPRIETARY AND CONFIDENTIAL
 THE INFORMATION CONTAINED IN THIS DRAWING IS THE SOLE PROPERTY OF ALPHA 3 MANUFACTURING.
 ANY REPRODUCTION IN PART OR AS A WHOLE WITHOUT THE WRITTEN PERMISSION OF ALPHA 3 MANUFACTURING IS PROHIBITED.



UNLESS OTHERWISE SPECIFIED:
 DIMENSIONS ARE IN MILLIMETRES
 LINEAR TOLERANCE:
NO DECIMAL PLACES ±0.5mm
1 DECIMAL PLACE ±0.25mm
2 DECIMAL PLACES ±0.125mm
ANGULAR TOLERANCE: ±1°

FINISH 2 WAY SPEAKER LINE SOCKET STANDARD
 DEBURR AND BREAK SHARP EDGES
 IF IN DOUBT ASK
 DO NOT SCALE DRAWING

MATERIAL SEE NOTE

DRAWN BY SPB
 APPROVED BY WC

THIRD ANGLE PROJECTION



SHEET 1 OF 1
 SCALE 1:1
 A4

TITLE GENERAL SPECIFICATION
 629-0000
 SOCKET

DRAWING NO. 629-0000

ISSUE **03**
 Release