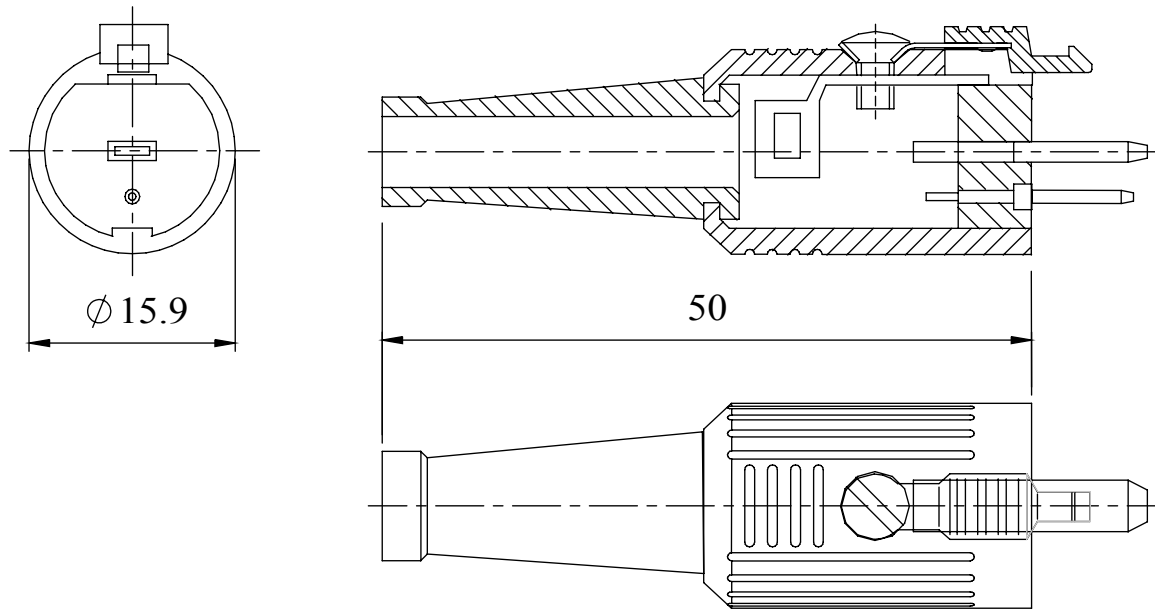


A standard speaker, lockable, line plug connector, with a simple latch-lock mechanism, available in bright nickel finish. A non-lockable version is also available.

MATERIAL HOUSING : Zinc Alloy, bright nickel  
 PIN BASE : Nylon  
 CONTACTS : Brass, silver plate  
 CABLE CLAMP : Plated Mild Steel  
 GROMMET : PVC, black

RATED VOLTAGE : 34V  
 TEST VOLTAGE : 1000 Vdc  
 CURRENT RATING : 4 Amps  
 INSULATION RESIST :  $10^{11} \Omega$  min @ 100 Vdc  
 CONTACT RESIST :  $10m \Omega$  max  
 CAPACITY (mated) : 3 pF  
 TEMP. RANGE : -25°C to +70°C

### Dimensions



Tel No. +44(0)1724 273200 Website www.dem-uk.com

PROPRIETARY AND CONFIDENTIAL  
 THE INFORMATION CONTAINED IN THIS DRAWING IS THE SOLE PROPERTY OF  
 ALPHA 3 MANUFACTURING.  
 ANY REPRODUCTION IN PART OR AS A WHOLE WITHOUT THE WRITTEN PERMISSION OF  
 ALPHA 3 MANUFACTURING IS PROHIBITED.

UNLESS OTHERWISE SPECIFIED:  
 DIMENSIONS ARE IN MILLIMETRES  
 LINEAR TOLERANCE:  
 NO DECIMAL PLACES  $\pm 0.5mm$   
 1 DECIMAL PLACE  $\pm 0.25mm$   
 2 DECIMAL PLACES  $\pm 0.125mm$   
 ANGULAR TOLERANCE:  $\pm 1^\circ$



DEM Manufacturing, Deltron Emcon House  
 Hargreaves Way, Sawcliffe Ind. Park,  
 Scunthorpe, North Lincolnshire, DN15 8RF, UK

FINISH	LOCKABLE	DEBURR AND BREAK SHARP EDGES
	-	
IF IN DOUBT ASK DO NOT SCALE DRAWING		
MATERIAL	SEE NOTE	

DRAWN BY	SPB
APPROVED BY	WC
THIRD ANGLE PROJECTION	SHEET 1 OF 1
	SCALE 1:1
	A4

TITLE	GENERAL SPECIFICATION 2 WAY SPEAKER LINE PLUG
DRAWING NO.	638-0000
ISSUE	02 Release