

A range of audio and video connectors incorporating many innovative features. Assembled and disassembly is screwless and is achieved by a few quick turns of the back shell.

-A single piece latch which is simple to operate, mating smoothly with both lockable and non-latching connectors.

-The strain relief collet ensures a positive cable grip.

-Generous solder buckets enable easier cable assembly as well as catering for larger conductive sizes.

-A range of coloured plastic coding rings is also available, each with a single number moulded in, offering a quick and easy system of channel identification.

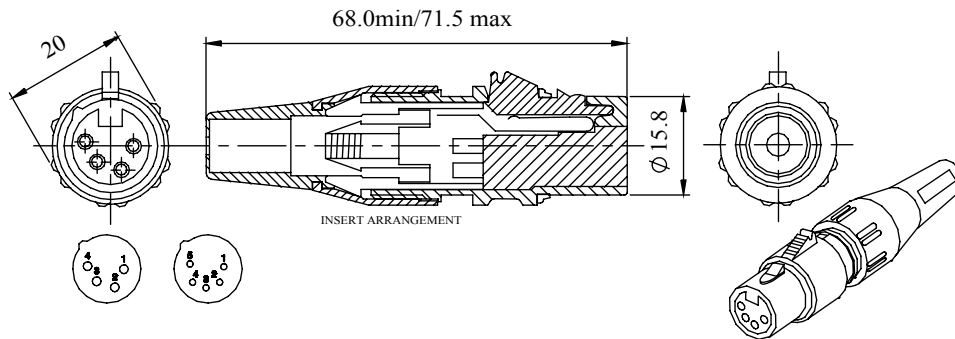
-Internal design feature allow for a quick and simple insert assembly.

### Mechanical Properties

Cable retention	Chuck and screw collar
Cable range	Ø 2.8mm to Ø 8.0mm
Housing	Zinc high pressure diecasting satin nickel or black chrome
Contact base	Valox DR48
Contacts	Brass, 3 microns silver anti-tarnish finish or 0.5 microns gold finish
Latch	Zinc high pressure diecasting satin nickel or black chrome
Strain Relief	P.V.C. (black)
Sealing ring	Santoprene (UL 94 HB)
Chuck	Acetal (UL 94 HB)
Screw collar	Zinc high pressure diecasting satin nickel or black chrome
Screen	Spring Steel, 3 microns silver anti-tarnish
Interchangeable Connector ident Ident options	Spring on coloured rings Acetal (UL 94 HB) Black, Brown, Red, Orange, Yellow, Green, Blue, Violet, Grey, White

**RoHS**  
**2002/95/EC**  
**Compliant**

### Dimensions



Deltron Part No	Silver Contacts		Gold Contacts	
	Nickel	Black	Nickel	Black
4-Way	700-0400	708-0400	704-0400	712-0400
5-Way	700-0500	708-0500	704-0500	712-0500

### Electrical

Rated Voltage	50 V a.c.
Test Voltage	1000 V r.m.s.
Insulation Resistance	103 MΩ
After damp heat	500 MΩ
Contact Resistance	10 mΩ max
Current Rating at 40 deg C	3 pin - 15 amp 4 pin - 10 5 pin - 7.5 amp
Current Rating at 70 deg C	3 pin - 7.5 amp 4 pin - 5 5 pin - 3 amp
Terminal wire sizes	3 pin 2.5 mm <sup>2</sup> / 14 AWG 4 pin 1.5 mm <sup>2</sup> / 16 AWG 5 pin 1.0 mm <sup>2</sup> / 18 AWG
Climatic	
Climatic category	25/070/04
Temperature Range	-25°C to +70°C
Damp heat, steady state	4 days

Tel No. +44(0)1724 273200 Website www.dem-uk.com

PROPRIETARY AND CONFIDENTIAL

THE INFORMATION CONTAINED IN THIS DRAWING IS THE SOLE PROPERTY OF ALPHA 3 MANUFACTURING. ANY REPRODUCTION IN PART OR AS A WHOLE WITHOUT THE WRITTEN PERMISSION OF ALPHA 3 MANUFACTURING IS PROHIBITED.

UNLESS OTHERWISE SPECIFIED: DIMENSIONS ARE IN MILLIMETRES LINEAR TOLERANCE: NO DECIMAL PLACES ±0.5mm 1 DECIMAL PLACE ±0.25mm 2 DECIMAL PLACES ±0.125mm ANGULAR TOLERANCE: ±1°

DEM Manufacturing, Deltron Emcon House Hargreaves Way, Sawcliffe Ind. Park, Scunthorpe, North Lincolnshire, DN15 8RF, UK

FINISH PROFESSIONAL QUALITY CABLE SOCKET SPB

DEBURR AND BREAK SHARP EDGES

DRAWN BY WC

APPROVED BY

THIRD ANGLE PROJECTION



WC

-

SHEET 1 OF 1

SCALE 1:1  
A4

TITLE GENERAL SPECIFICATION MULTIPOLE CONNECTORS

DRAWING NO. 700-704-708-712

ISSUE 06  
Release

