

# EMI/EMC FILTER

## RIS SERIES



### FEATURES

- A fuse holder with double fuse and power ON/OFF switch.
- Suitable for the products that must conform to FCC, FTZ.
- Good shield effect by using metal case.
- Meet over voltage category II of IEC 60664 and comply with IEC 60950.
- Uses IEC connector that meets the safety standards of virtually all certifying organization.

### APPLICATIONS

- Digital equipments.
- Measuring and testing instruments.
- Communication equipment.

## SPECIFICATIONS

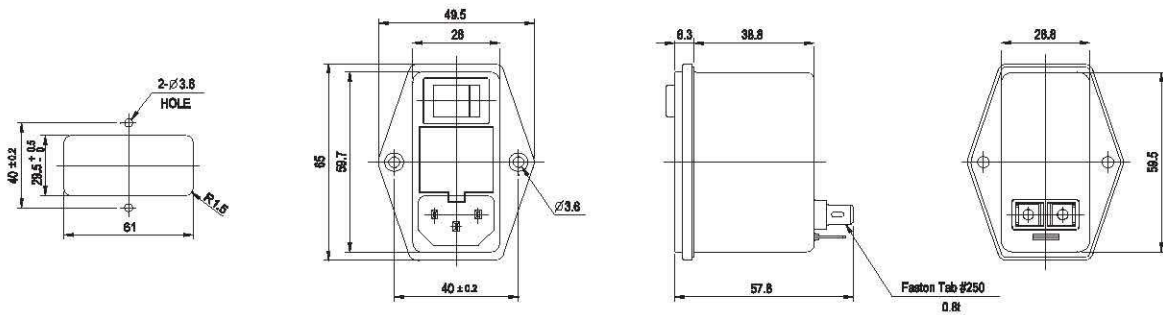
Model	Rated Voltage (AC,DC)	Rated Current	Leakage Current (250V AC)	Temperature Rise	Operating Temperature
RIS-02**H*	250V	2A	-	40°C max.	-25°C to + 85°C Including temperature rise 
RIS-04**H*	250V	4A	-	45°C max.	
RIS-06**H*	250V	6A	-	45°C max.	
RIS-***0-H*	-	*	0.01mA max.	-	
RIS-***C-H*	-	*	0.075mA max.	-	
RIS-***D-H*	-	*	0.10mA max.	-	
RIS-***2-H*	-	*	0.35mA max.	-	
RIS-***3-H*	-	*	0.50mA max.	-	

Note : Test Voltage : 1500VAC one minute line to earth.  
 Insulation Resistance : 300 Mohm min. at 500V DC.  
 Voltage Drop : 1V max. at rated current.  
 Weight : 130g  
 Inlet : Compatible with IEC-60320

### Model Number Construction

RI	S	02	4	2	H	0
Input Connector I : IEC Connector	Special Design S : Screw Mounting/ With Double Pole Switch and Double Fuse	Current Rating : AC rms 02 : 2amp 04 : 4amp 06 : 6amp	Line-Line Cap. Value (Input side) 1 : 0.1 $\mu$ F 2 : 0.22 $\mu$ F 4 : 0.47 $\mu$ F	Line-Gnd Cap. Value 2 : 2200 $\mu$ F 3 : 3300 $\mu$ F C : 330 $\mu$ F D : 470 $\mu$ F 0 : None	Output Terminal style H : Faston Tab #250	Line-Line Cap. Value (Output side) 0 : None 2 : 0.22 $\mu$ F

## Shapes and Dimensions



\* Panel Cutout dimensions  
(mount from frontside)

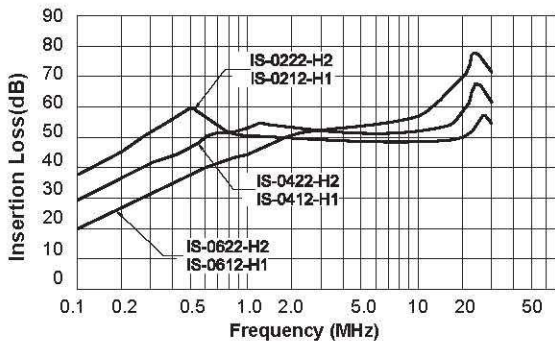
\* General tolerance :  $\pm 0.5$

\* Unit : mm

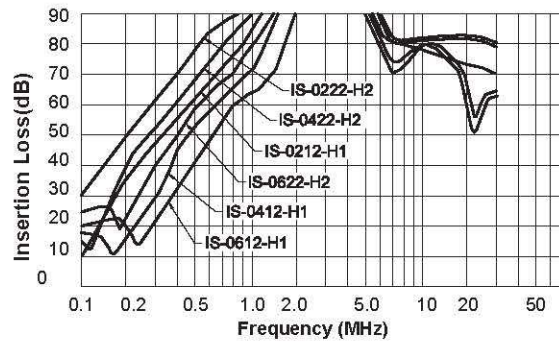
\* Metal Case

## Attenuation Characteristics

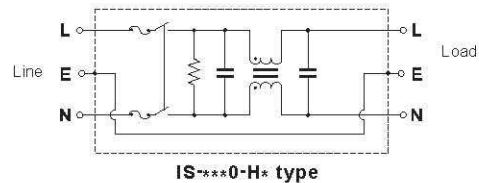
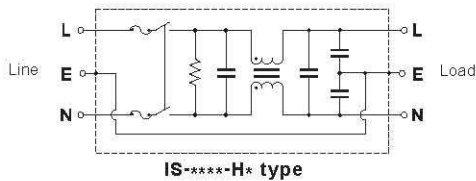
### ● Common Mode (IS-02/04/06\*2-H\*)



### ● Differential Mode (IS-\*\*\*22-H2)



### ● Circuit Diagram



### ● Measurement configuration

