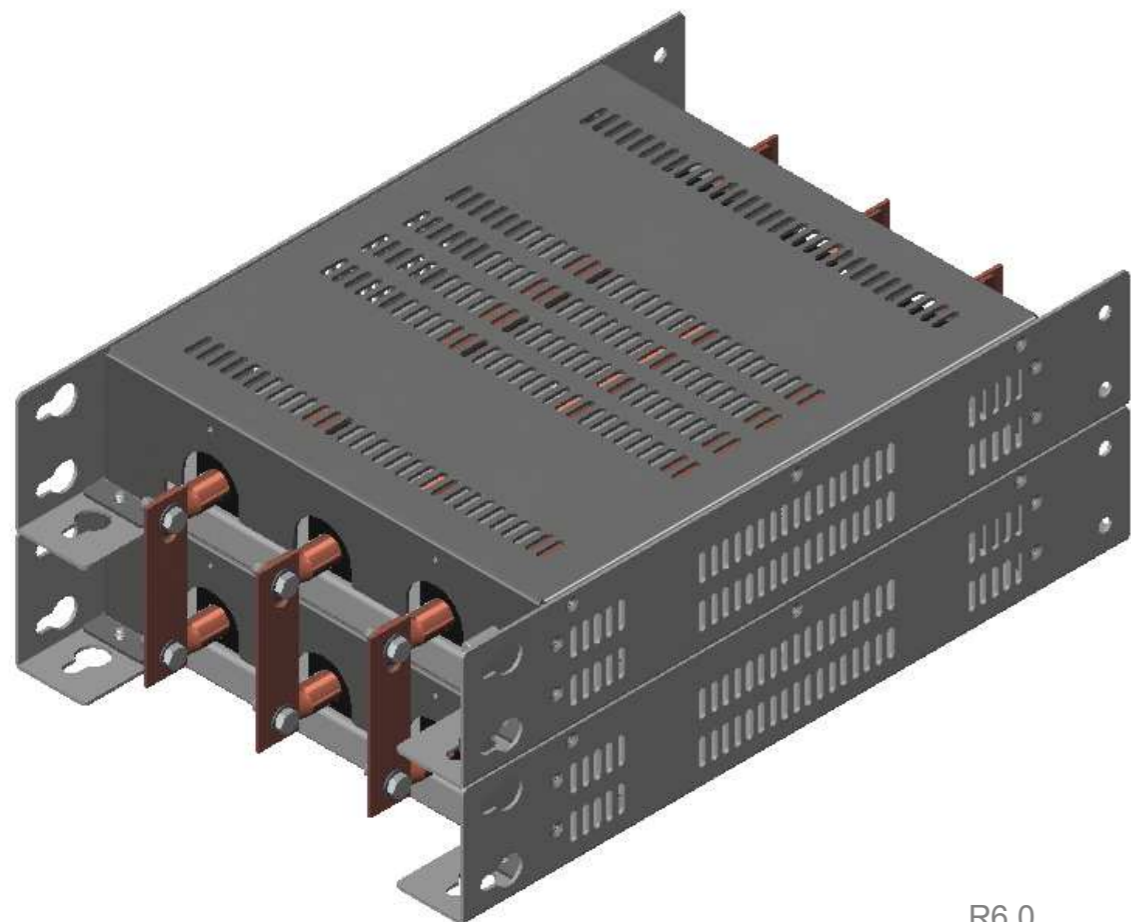


REV.	CNN	CNN DESCRIPTION	Date	Check in
02	-	-	15/12/2011	John Hutchinson

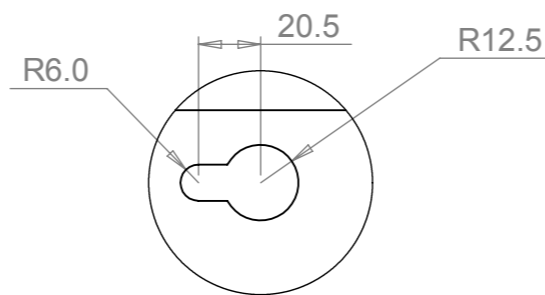


**3PZ 480V 800A BUSBAR FILTER SHORT**

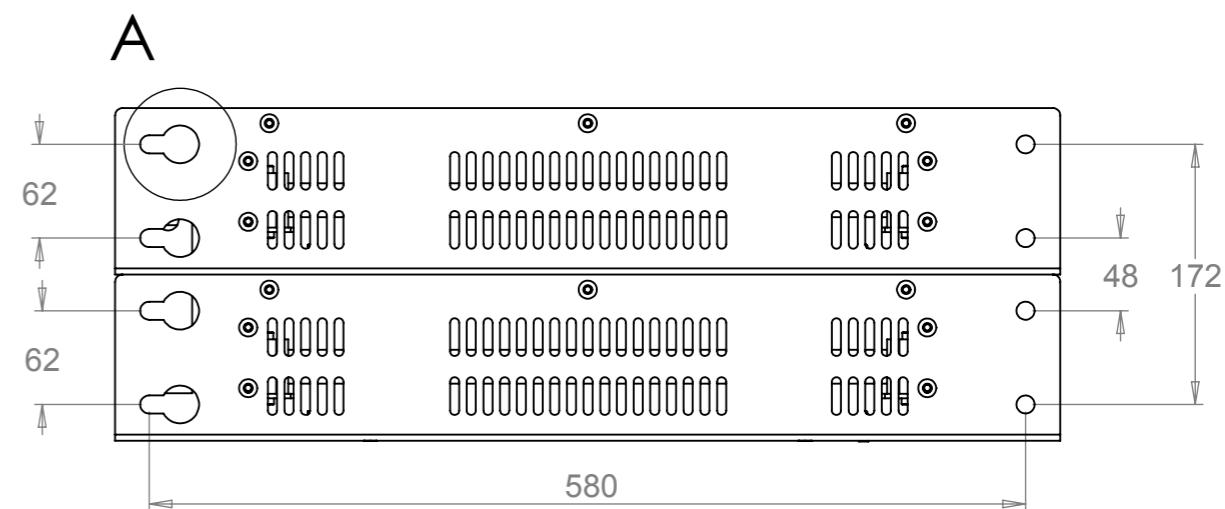
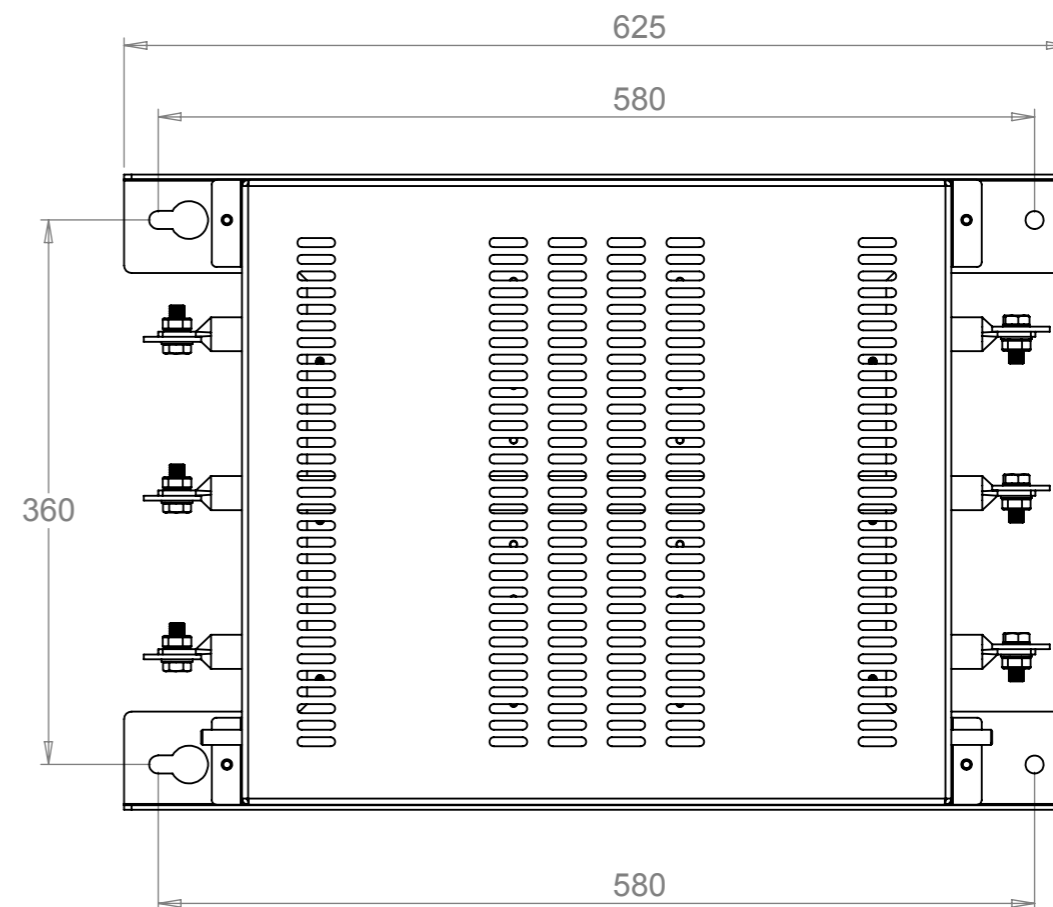
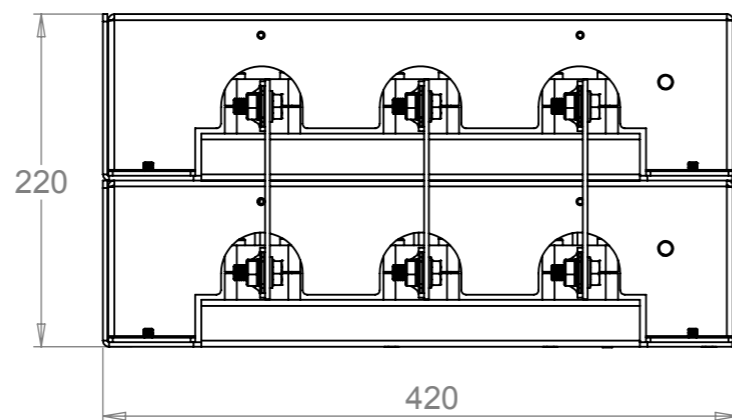
**current rated** 800A @40°C  
**current leakage** 4304mA  
**current scct** 42kA  
**frequency** dc-60Hz  
**humidity** 90% RH non-condensing  
**pollution class** II  
**protection mov** 6.5kA 8/20us  
**resistance dc** 31uR/ph  
**resistance insulation** >2MR w/out bleed  
**resistance loss** 15W  
**temperature rated** -25 to +90°C  
**vibration** 10-150Hz 10m/s<sup>2</sup> 2.3hrs  
**voltage rated** 480V +10%  
**voltage test** 1kVdc 15s  
**voltage residual** 615V@5s, 0V@300s  
**voltage withstand** 2.9kVdc w/out mov

**cooling** air ventilation ≥50mm gap  
**earthing** stud SS M10 25Nm  
**enclosure** 3103 H14 Aluminium 3mm  
**mass unpackaged** 30kg  
**mounting** 580x360(62/172)mm M12 30Nm  
**terminal** Cu 35x3.5mm C106 M12 30Nm

**Approvals** CE cULus  
**European** EN60939 EN50178  
**North American** UL1283 UL1449  
**Canadian** C22.2 No.8



**DETAIL A  
SCALE 2 : 5**



Tel No.+44(0)1724273200 Website www.dem-uk.com

**PROPRIETARY AND CONFIDENTIAL**  
 THE INFORMATION CONTAINED IN THIS DRAWING IS THE SOLE PROPERTY OF  
**ALPHA 3 MANUFACTURING**.  
 ANY REPRODUCTION IN PART OR AS A WHOLE WITHOUT THE WRITTEN  
 PERMISSION OF  
**ALPHA 3 MANUFACTURING** IS PROHIBITED.

UNLESS OTHERWISE SPECIFIED:  
 DIMENSIONS ARE IN MILLIMETRES  
**LINEAR TOLERANCE:**  
**NO DECIMAL PLACES ±0.5mm**  
**1 DECIMAL PLACE ±0.25mm**  
**2 DECIMAL PLACES ±0.125mm**  
**ANGULAR TOLERANCE: ±1°**

FINISH	-	DEBURR AND BREAK SHARP EDGES	DRAWN BY	-	TITLE	General Specification MIF3800 Mains Line Filter	
			APPROVED BY				
			THIRD ANGLE PROJECTION		SHEET 1 OF 1	DRAWING NO.	ISSUE
					SCALE 1:5	MIF3800	02
MATERIAL	-				A3		Release



**DEM** Manufacturing, Deltron Emcon House  
 Hargreaves Way, Sawcliffe Ind. Park,  
 Scunthorpe, North Lincolnshire, DN15 8RF, UK