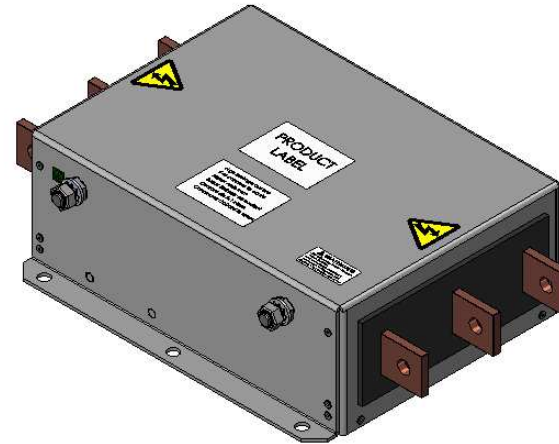
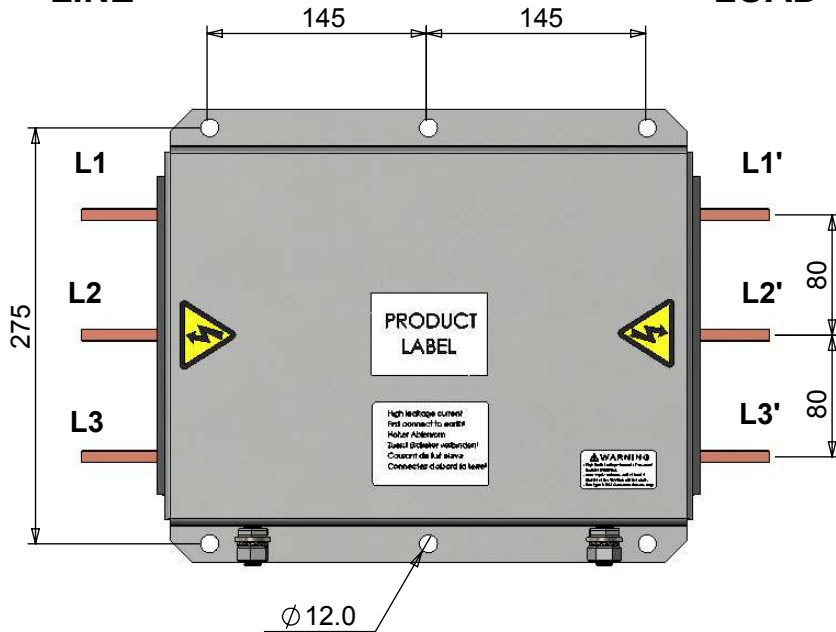


REV.	CNN	CNN DESCRIPTION	Date	Check in
02	-	-	07/03/2011	John Hutchinson
03	-	-	14/11/2011	John Hutchinson

LINE

LOAD



**ELECTRICAL**  
3P RFI Filter

current 820A (50°C)  
voltage 690V (+5%)

leakage fault 130mA  
leakage normal <5mA  
operating frequency 50/60Hz  
residual voltage (594V@5s, 50V@30s)  
resistance dc 0.031mR (50°C)  
short circuit 85kA (200kA)  
voltage withstand 4.05kVdc 1s  
watts loss 63W (50°C)

**MECHANICAL**

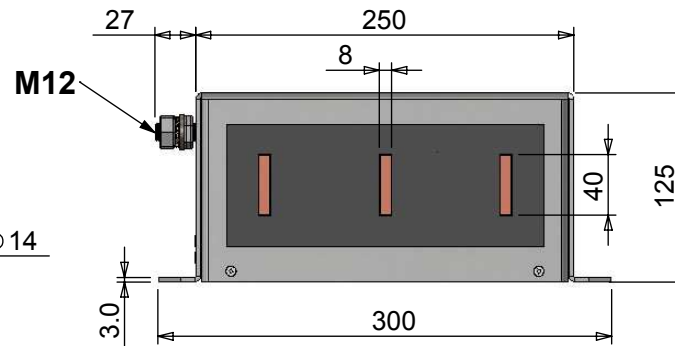
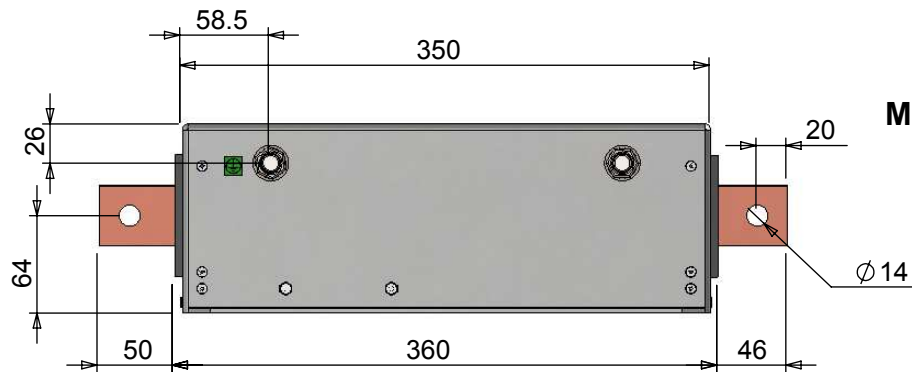
busbar holes M12. 30Nm  
earth stud M12. 25Nm  
fixing holes M10. 30Nm  
mass unpackaged 23.5kg  
material enclosure Al  
material busbars Cu  
material fixings SS

**ENVIRONMENT**

humidity 90% RH (non-condensing)  
pollution class II  
temperature -25 to +90°C  
vibration 5-500Hz 1.5G

**STANDARDS**

EN60939-1 / EN61010-1  
EN60950 / EN50178  
UL1283 / UL508C / CSA C22.2 No.8



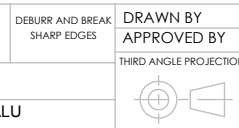
Tel No. +44(0)1724 273200 Website www.dem-uk.com



PROPRIETARY AND CONFIDENTIAL  
THE INFORMATION CONTAINED IN THIS DRAWING IS THE SOLE PROPERTY OF  
ALPHA 3 MANUFACTURING.  
ANY REPRODUCTION IN PART OR AS A WHOLE WITHOUT THE WRITTEN PERMISSION OF  
ALPHA 3 MANUFACTURING IS PROHIBITED.  
**DEM** DEM Manufacturing, Deltron Emcon House  
Hargreaves Way, Sawcliffe Ind. Park,  
Scunthorpe, North Lincolnshire, DN15 8RF, UK

UNLESS OTHERWISE SPECIFIED:  
DIMENSIONS ARE IN MILLIMETRES  
LINEAR TOLERANCE:  
**NO DECIMAL PLACES ±0.5mm**  
**1 DECIMAL PLACE ±0.25mm**  
**2 DECIMAL PLACES ±0.125mm**  
**ANGULAR TOLERANCE: ±1°**

FINISH -  
DEBURR AND BREAK SHARP EDGES  
DRAWN BY SPB  
APPROVED BY SW  
THIRD ANGLE PROJECTION  
IF IN DOUBT ASK  
DO NOT SCALE DRAWING  
MATERIAL 3mm ALU



SHEET 1 OF 1  
SCALE 1:1  
A4

TITLE General Specification  
KMF3820V  
Mains Line Filter  
DRAWING NO. KMF3820V  
ISSUE **03**  
Release