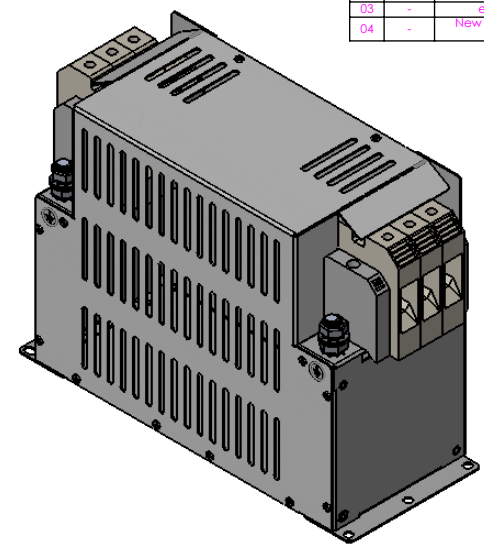
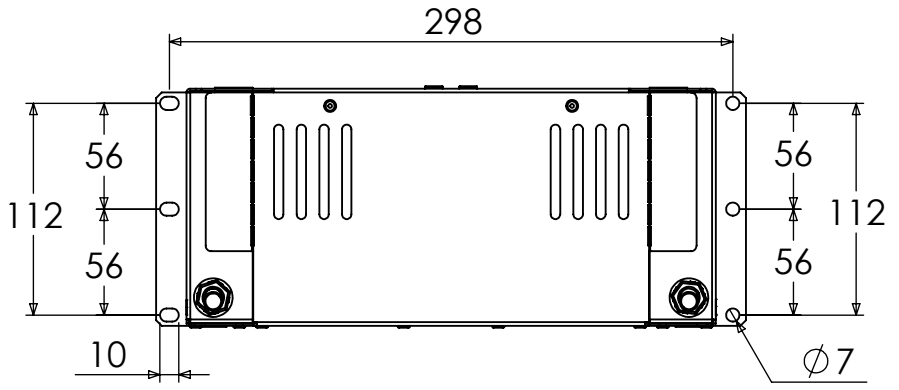


| REV. | CNN | CNN DESCRIPTION | Date | Check in |
|------|-----|--|------------|--------------|
| 03 | - | extra fixing hole added | 09/11/2010 | Shaun Barron |
| 04 | - | New smaller terminals added to enclosure | 21/07/2011 | Shaun Barron |

Terminals hidden from view



SPECIFICATION

VOLTAGE 600Vac
 FREQUENCY 50/60Hz
 CURRENT 150A @ 40°C
 TEMPERATURE -25 TO 100°C
 LEAKAGE (FAULT) 297mA @ 600V 50Hz
 HUMIDITY 90% RH (NON-CONDENSING)
 VIBRATION 10-200Hz 1.8G
 ELECTRIC STRENGTH 3150Vdc/1min.
 POWER DISSIPATION 28W

MECHANICAL

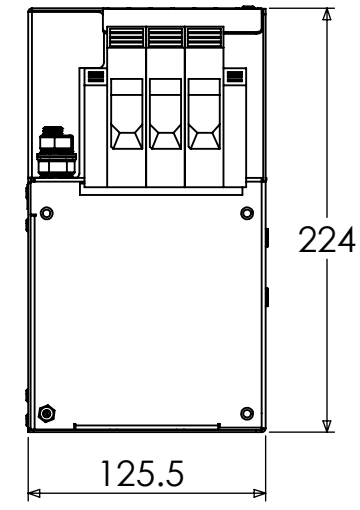
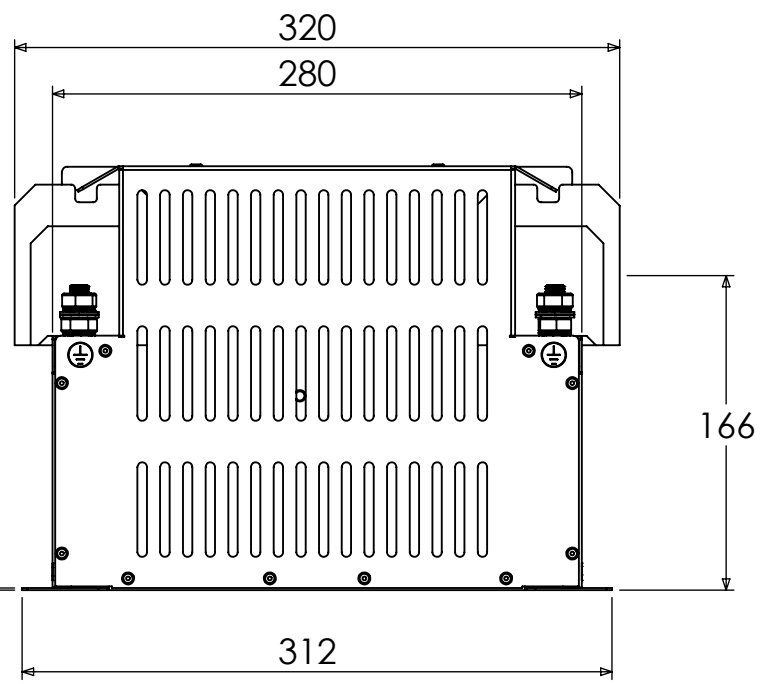
ingress protection IP20
 mass unpackaged 6kg
 material enclosure 1.2mm ALU
 mounting centres See Drawing
 terminal connection 70mm²
 terminal earthing M10x25mm

ENVIRONMENT

humidity 90% RH (non-condensing)
 pollution class II
 temperature -25-90°C
 vibration 10-200Hz 1.8G

STANDARDS

EN60950 / EN50178 / UL1283



Tel No. +44(0)1724 273200 E-mail www.dem-uk.com

Alpha3 manufacturing ROXBURGH EMC DELTRON Components DELTRON Enclosures

PROPRIETARY AND CONFIDENTIAL THE INFORMATION CONTAINED IN THIS DRAWING IS THE SOLE PROPERTY OF ALPHA 3 MANUFACTURING. ANY REPRODUCTION IN PART OR AS A WHOLE WITHOUT THE WRITTEN PERMISSION OF ALPHA 3 MANUFACTURING IS PROHIBITED. DEM Manufacturing, Deltron Emcon House Hargreaves Way, Sawcliffe Ind. Park, Scunthorpe, North Lincolnshire, DN15 8RF, UK

UNLESS OTHERWISE SPECIFIED: DIMENSIONS ARE IN MILLIMETRES LINEAR TOLERANCE: NO DECIMAL PLACES ±0.5mm 1 DECIMAL PLACE ±0.25mm 2 DECIMAL PLACES ±0.125mm ANGULAR TOLERANCE: ±1°

FINISH - DEBURR AND BREAK SHARP EDGES DRAWN BY AT APPROVED BY SW THIRD ANGLE PROJECTION SHEET 1 OF 1 SCALE 1:4 A4 MATERIAL 1.2mm ALU 3103 H14 or 5251

IF IN DOUBT ASK DO NOT SCALE DRAWING

TITLE GENERAL SPECIFICATION 3 PHASE 150A 600V INDUSTRIAL FILTER DRAWING NO. KMF3150V ISSUE 04 Release