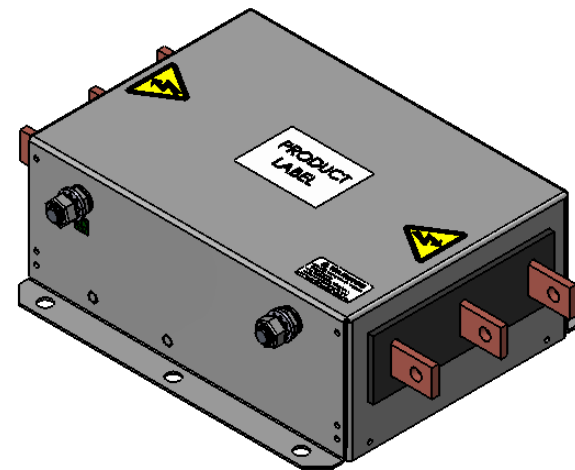
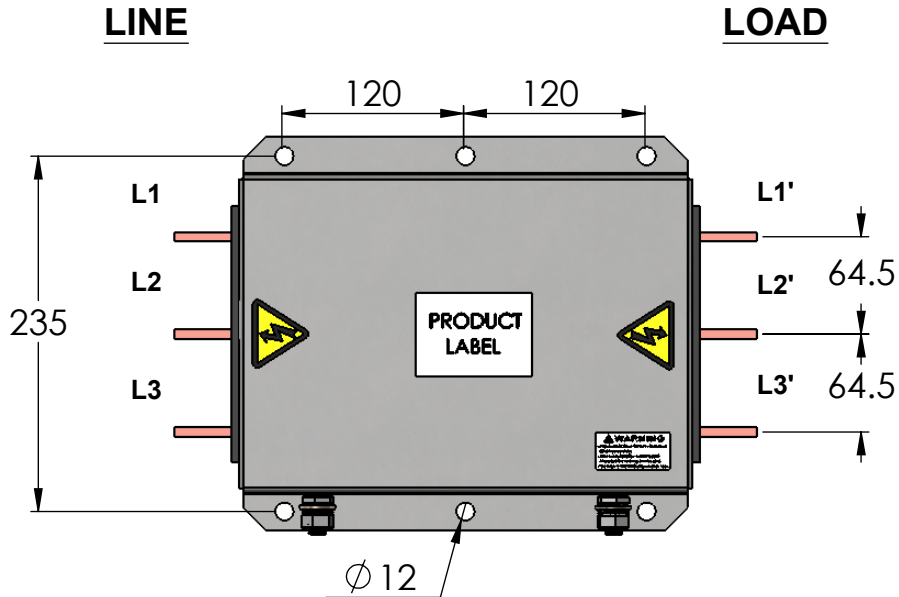


REV.	CNN	CNN DESCRIPTION	Date	Check in
03	-	-	07/03/2011	John Hutchinson
04	-	-	14/11/2011	John Hutchinson



ELECTRICAL
3P RFI Filter

current 420A (50°C)
voltage 480V (+10%)

leakage fault 85mA
leakage normal <5mA
operating frequency 50/60Hz
residual voltage (484V@5s, 49V@39s)
resistance dc 0.051mR (50°C)
short circuit 30kA (200kA)
voltage withstand 3.3kVdc 1s
watts loss 27W (50°C)

MECHANICAL

busbar holes M10. 30Nm
earth stud M12. 25Nm
fixing holes M10. 30Nm
mass unpackaged 13.8kg
material enclosure Al
material busbars Cu
material fixings SS

ENVIRONMENT

humidity 90% RH (non-condensing)
pollution class II
temperature -25 to +90°C
vibration 5-500Hz 1.5G

STANDARDS

EN60939-1 / EN61010-1
EN60950 / EN50178
UL1283 / UL508C / CSA G22.2 No.8

