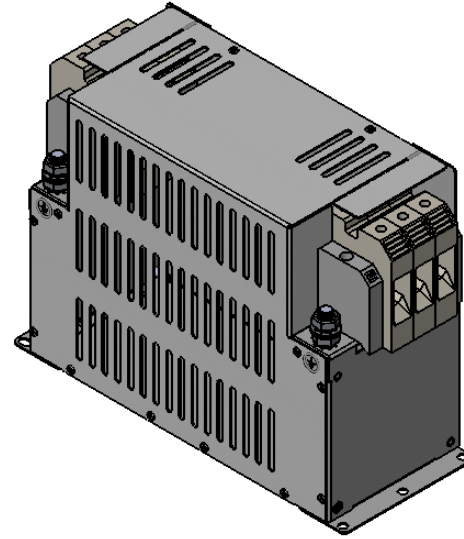
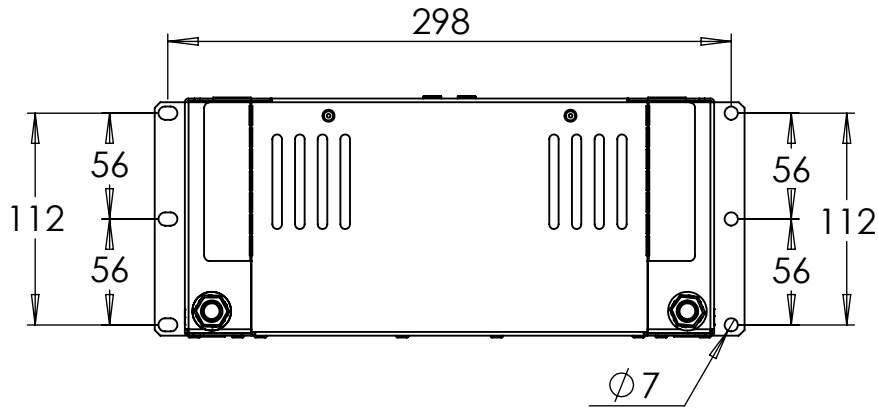


REV.	CNN	CNN DESCRIPTION	Date	Check in
03	-	extra fixing hole added to base	10/11/2010	Shaun Barron
04	-	terminal change	21/07/2011	Shaun Barron

Terminals Hidden from View



RoHS
2002/95/EC
Compliant

SPECIFICATIONS

VOLTAGE 500Vac
 FREQUENCY 50/60Hz
 CURRENT 150A @ 40°C
 TEMPERATURE -25 TO 100°C
 LEAKAGE CURRENT 198mA @ 500V 50Hz
 HUMIDITY 90% RH (NON-CONDENSING)
 VIBRATION 10-200Hz 1.8G
 ELECTRIC STRENGTH 2250Vac/1min.
 POWER DISSIPATION 25W

MECHANICAL

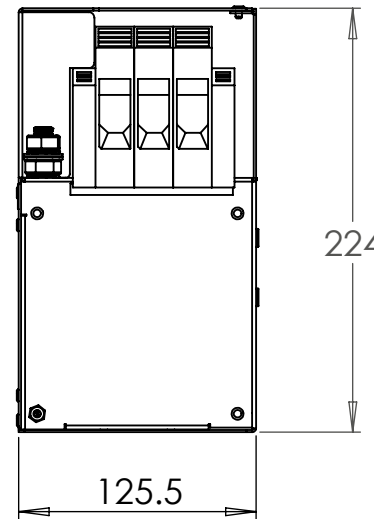
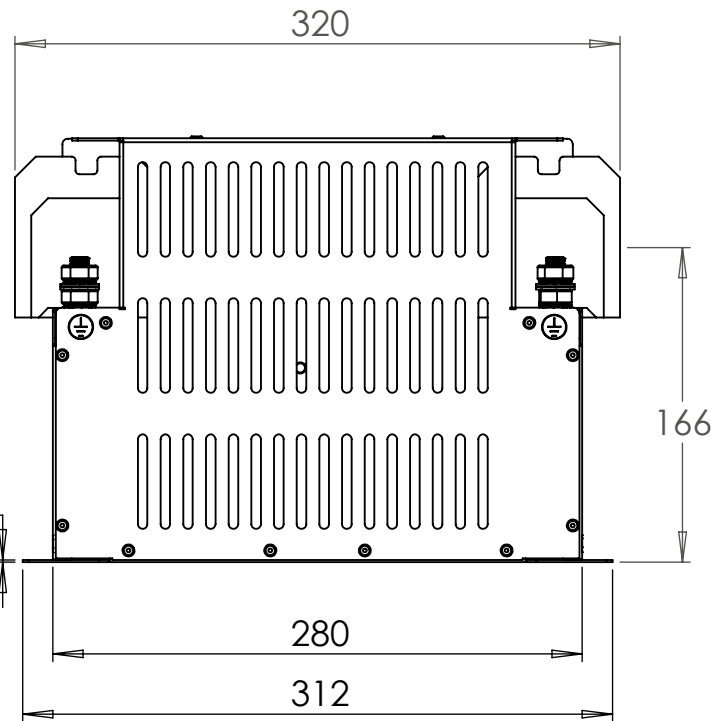
ingress protection IP20
 mass unpackaged 5kg
 material enclosure 1.2mm ALU
 mounting centres see drawing
 terminal connection 70mm²
 terminal earthing M10x25mm

ENVIRONMENT

humidity 90% RH (non-condensing)
 pollution class II
 temperature -25-90°C
 vibration 10-200Hz 1.8G

STANDARDS

EN60950 / EN50178 / UL1283



Tel No. +44(0)1724 273200 E-mail www.dem-uk.com

PROPRIETARY AND CONFIDENTIAL
 THE INFORMATION CONTAINED IN THIS DRAWING IS THE SOLE PROPERTY OF
 ALPHA 3 MANUFACTURING.
 ANY REPRODUCTION IN PART OR AS A WHOLE WITHOUT THE WRITTEN PERMISSION OF
 ALPHA 3 MANUFACTURING IS PROHIBITED.

UNLESS OTHERWISE SPECIFIED:
 DIMENSIONS ARE IN MILLIMETRES
 LINEAR TOLERANCE:
NO DECIMAL PLACES ±0.5mm
1 DECIMAL PLACE ±0.25mm
2 DECIMAL PLACES ±0.125mm
 ANGULAR TOLERANCE: ±1°



DEM Manufacturing, Deltron Emcon House
 Hargreaves Way, Sawcliffe Ind. Park,
 Scunthorpe, North Lincolnshire, DN15 8RF, UK

FINISH	-	DEBURR AND BREAK SHARP EDGES
MATERIAL	ALU 1.2mm 3103 H14 or	

DRAWN BY	AT	TITLE
APPROVED BY	NL	GENERAL SPECIFICATION
THIRD ANGLE PROJECTION	SHEET 1 OF 1	3 PHASE 150A 500Vac
	SCALE 1:4	INDUSTRIAL FILTER
	A4	DRAWING NO. KMF3150

ISSUE	04
Release	