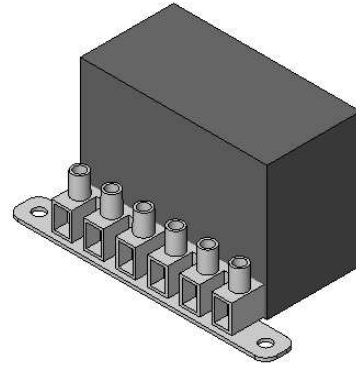
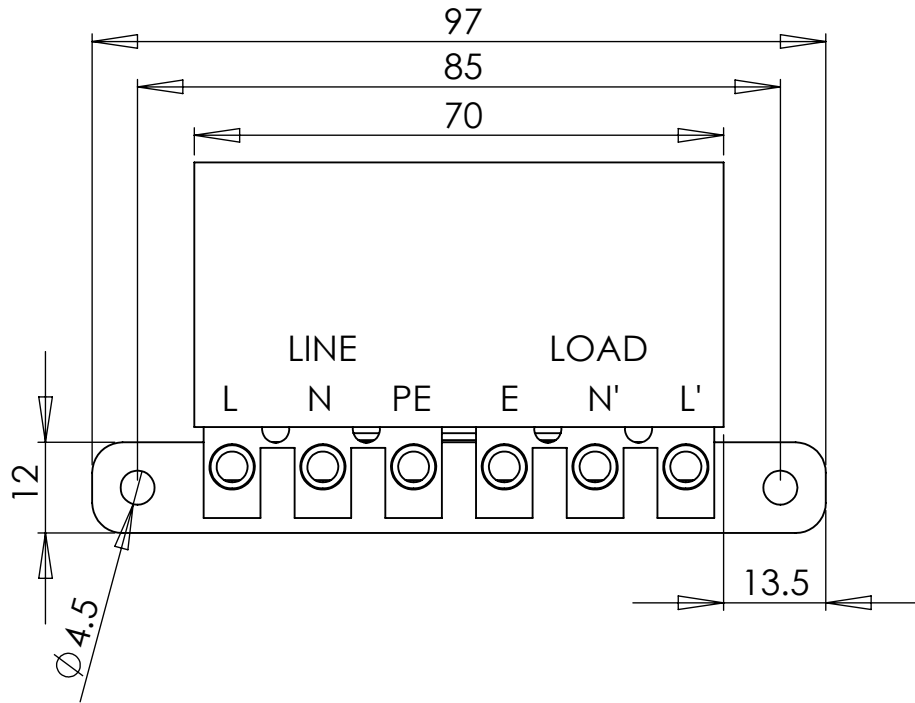
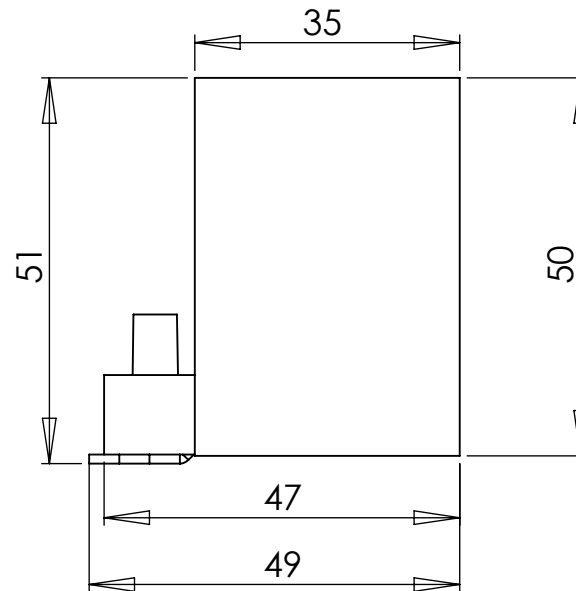
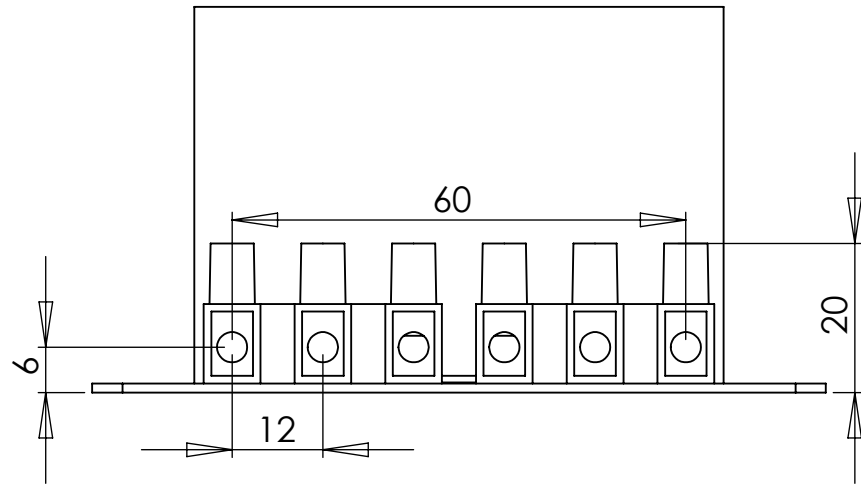


REV.	CNN	CNN DESCRIPTION	Date	Check in
02	-	BORDER CHANGE	21/01/2010	Shaun Barron
02	-	EDIT TEXT	25/01/2010	Shaun Barron



SPECIFICATIONS

VOLTAGE 250Vac
 FREQUENCY 50/60Hz
 CURRENT 10A @ 50°C
 TEMPERATURE -25 TO 85°C
 LEAKAGE CURRENT 3.4mA @ 230V 50Hz
 HUMIDITY 90% RH (NON-CONDENSING)
 VIBRATION 10-200Hz 1.8G
 ELECTRIC STRENGTH 2000 Vdc/1min.
 POWER DISSIPATION 3W
 MASS 220g
 TERMINALS 4sqmm TERMINAL BLOCK
 NYLON 6 UL94 V2
 EARTH TERMINALS- BONDED INTERNALLY AND
 BONDED TO MOUNTING PLATE
 FLANGE MOUNTING 2x M4



RoHS
 2002/95/EC
 Compliant

Tel No. +44(0)1724 273200 Website www.dem-uk.com

PROPRIETARY AND CONFIDENTIAL
 THE INFORMATION CONTAINED IN THIS DRAWING IS THE SOLE PROPERTY OF
 ALPHA 3 MANUFACTURING.
 ANY REPRODUCTION IN PART OR AS A WHOLE WITHOUT THE WRITTEN PERMISSION OF
 ALPHA 3 MANUFACTURING IS PROHIBITED.

UNLESS OTHERWISE SPECIFIED:
 DIMENSIONS ARE IN MILLIMETRES
 LINEAR TOLERANCE:
 NO DECIMAL PLACES $\pm 0.5\text{mm}$
 1 DECIMAL PLACE $\pm 0.25\text{mm}$
 2 DECIMAL PLACES $\pm 0.125\text{mm}$
 ANGULAR TOLERANCE: $\pm 1^\circ$



DEM Manufacturing, Deltron Emcon House
 Hargreaves Way, Sawcliffe Ind. Park,
 Scunthorpe, North Lincolnshire, DN15 8RF, UK

FINISH -
 DEBURR AND BREAK SHARP EDGES
 IF IN DOUBT ASK
 DO NOT SCALE DRAWING
 MATERIAL -

DRAWN BY SPB
 APPROVED BY SW
 THIRD ANGLE PROJECTION

SHEET 1 OF 1
 SCALE 1:1
 A4

TITLE GENERAL SPECIFICATION
 2 PHASE 10A 250V
 LOW LEAKAGE FILTER
 DRAWING NO. ABF10
 ISSUE 02
 Release