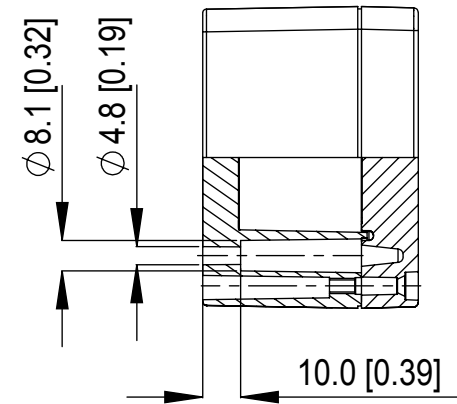
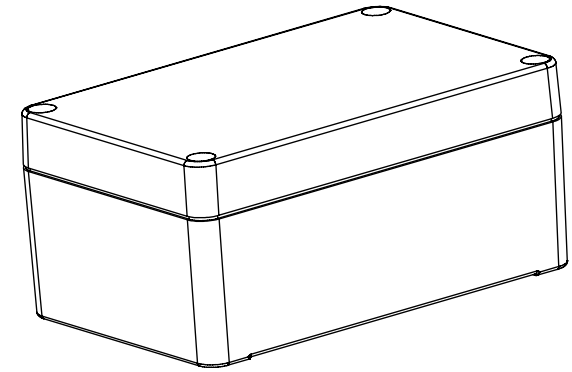
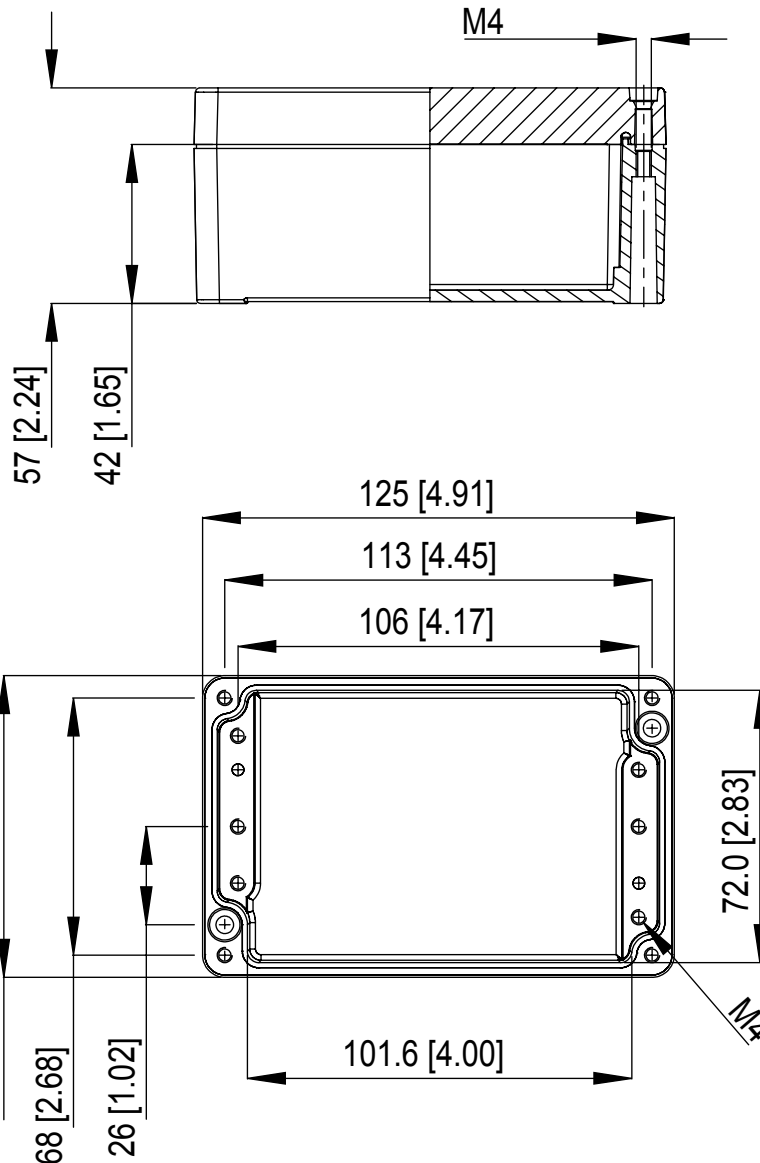


POWDER COATED GREY  
RAL7001 SMOOTH GLOSS  
**486-125-01A**  
POWDER COATED BLACK  
RAL9001 SMOOTH GLOSS  
**486-125-01E**

125 X 80 X 57 mm



Tel No. +44(0)1724 273200 Website www.dem-uk.com

PROPRIETARY AND CONFIDENTIAL  
THE INFORMATION CONTAINED IN THIS DRAWING IS THE SOLE PROPERTY OF  
ALPHA 3 MANUFACTURING.  
ANY REPRODUCTION IN PART OR AS A WHOLE WITHOUT THE WRITTEN PERMISSION OF  
ALPHA 3 MANUFACTURING IS PROHIBITED.

UNLESS OTHERWISE SPECIFIED:  
DIMENSIONS ARE IN MILLIMETRES  
LINEAR TOLERANCE:  
NO DECIMAL PLACES  $\pm 0.5\text{mm}$   
1 DECIMAL PLACE  $\pm 0.25\text{mm}$   
2 DECIMAL PLACES  $\pm 0.125\text{mm}$   
ANGULAR TOLERANCE:  $\pm 1^\circ$

DEM Manufacturing, Deltron Emcon House  
Hargreaves Way, Sawcliffe Ind. Park,  
Scunthorpe, North Lincolnshire, DN15 8RF, UK



FINISH AS REQUESTED  
DEBURR AND BREAK SHARP EDGES  
DRAWN BY SPB  
APPROVED BY WC  
THIRD ANGLE PROJECTION  
IF IN DOUBT ASK  
DO NOT SCALE DRAWING  
MATERIAL LM6

SHEET 1 OF 1  
SCALE 1:2  
A4

TITLE HEAVY DUTY  
IP68 SEALED  
ENCLOSURE  
DRAWING NO. 486-125-01

ISSUE **01**  
Release