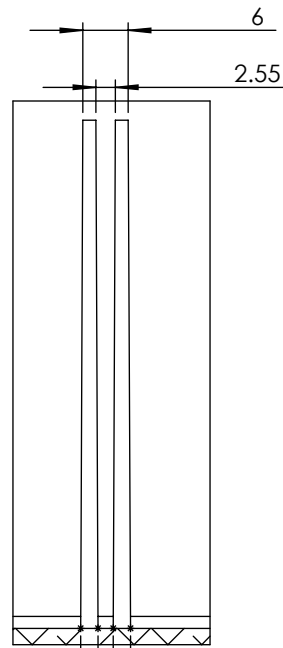
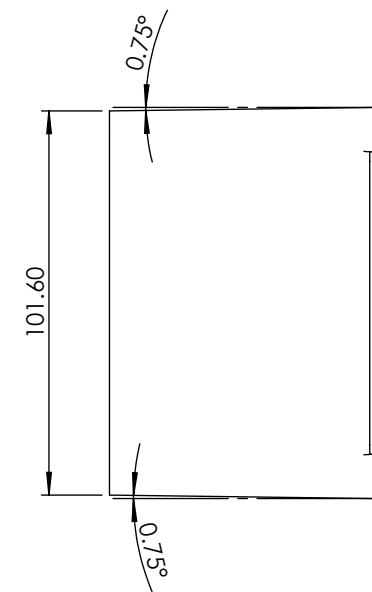
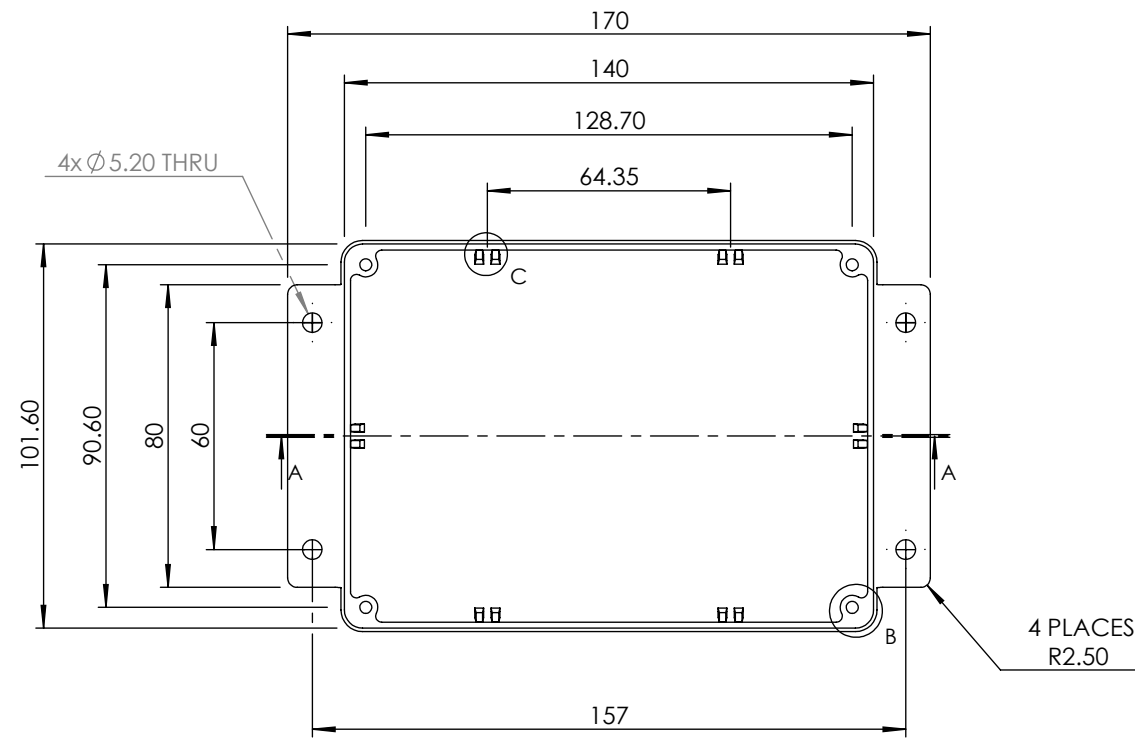
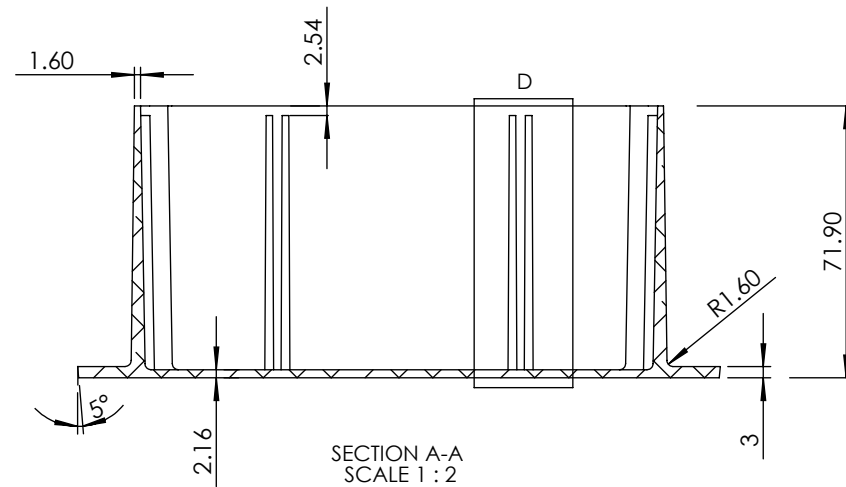


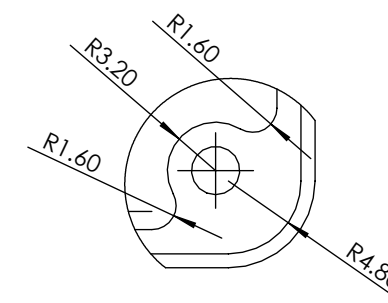
DETAIL C
SCALE 4 : 1



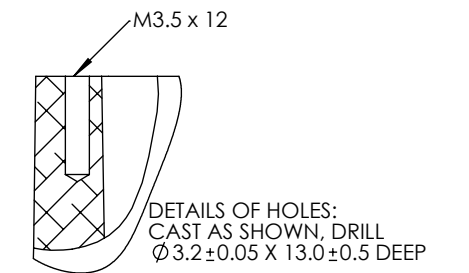
DETAIL D
SCALE 1 : 1



SECTION A-A
SCALE 1 : 2



DETAIL B
SCALE 2 : 1



SIZE	PLAIN	FLANGED	
		POWDER COATED	NYLON COATED
K	455-0100	457-0100	458-0100
K	SEALED		FLANGED
	456-0100	463-0100	464-0100

Tel No. +44(0)1724273200 Website www.dem-uk.com



PROPRIETARY AND CONFIDENTIAL
THE INFORMATION CONTAINED IN THIS DRAWING IS THE SOLE PROPERTY OF ALPHA 3 MANUFACTURING.
ANY REPRODUCTION IN PART OR AS A WHOLE WITHOUT THE WRITTEN PERMISSION OF ALPHA 3 MANUFACTURING IS PROHIBITED.

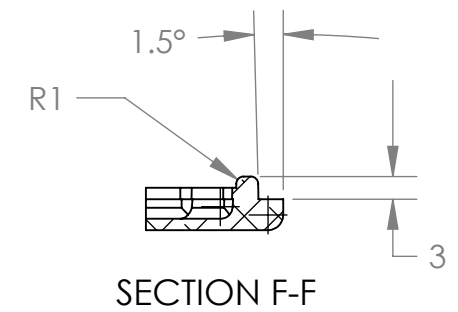
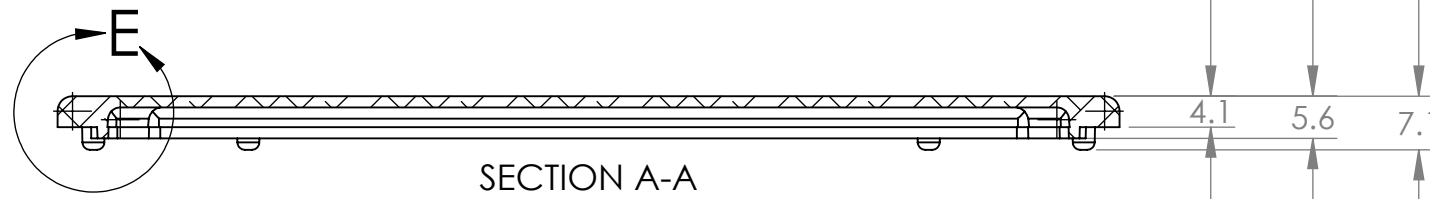
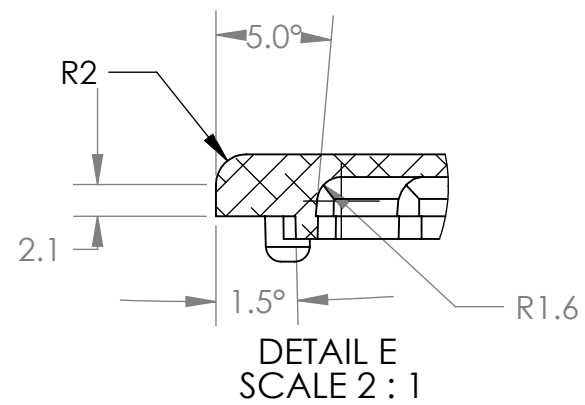
DEM Manufacturing, Deltron Emcon House
Hargreaves Way, Sawcliffe Ind. Park,
Scunthorpe, North Lincolnshire, DN15 8RF, UK

UNLESS OTHERWISE SPECIFIED:
DIMENSIONS ARE IN MILLIMETRES
LINEAR TOLERANCE:
NO DECIMAL PLACES ±0.5mm
1 DECIMAL PLACE ±0.25mm
2 DECIMAL PLACES ±0.125mm
ANGULAR TOLERANCE: ±1°

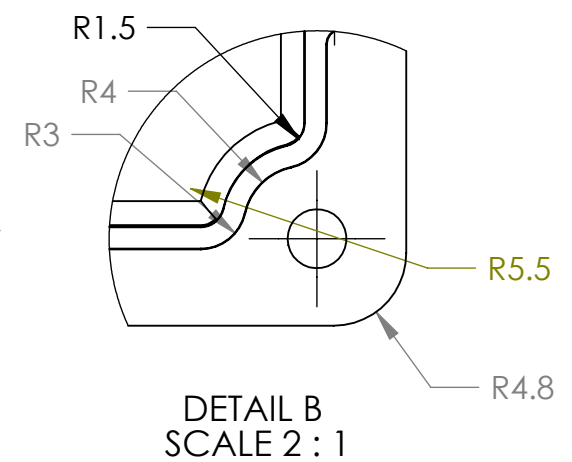
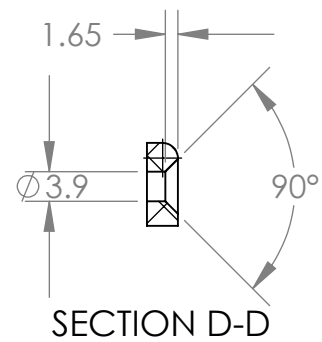
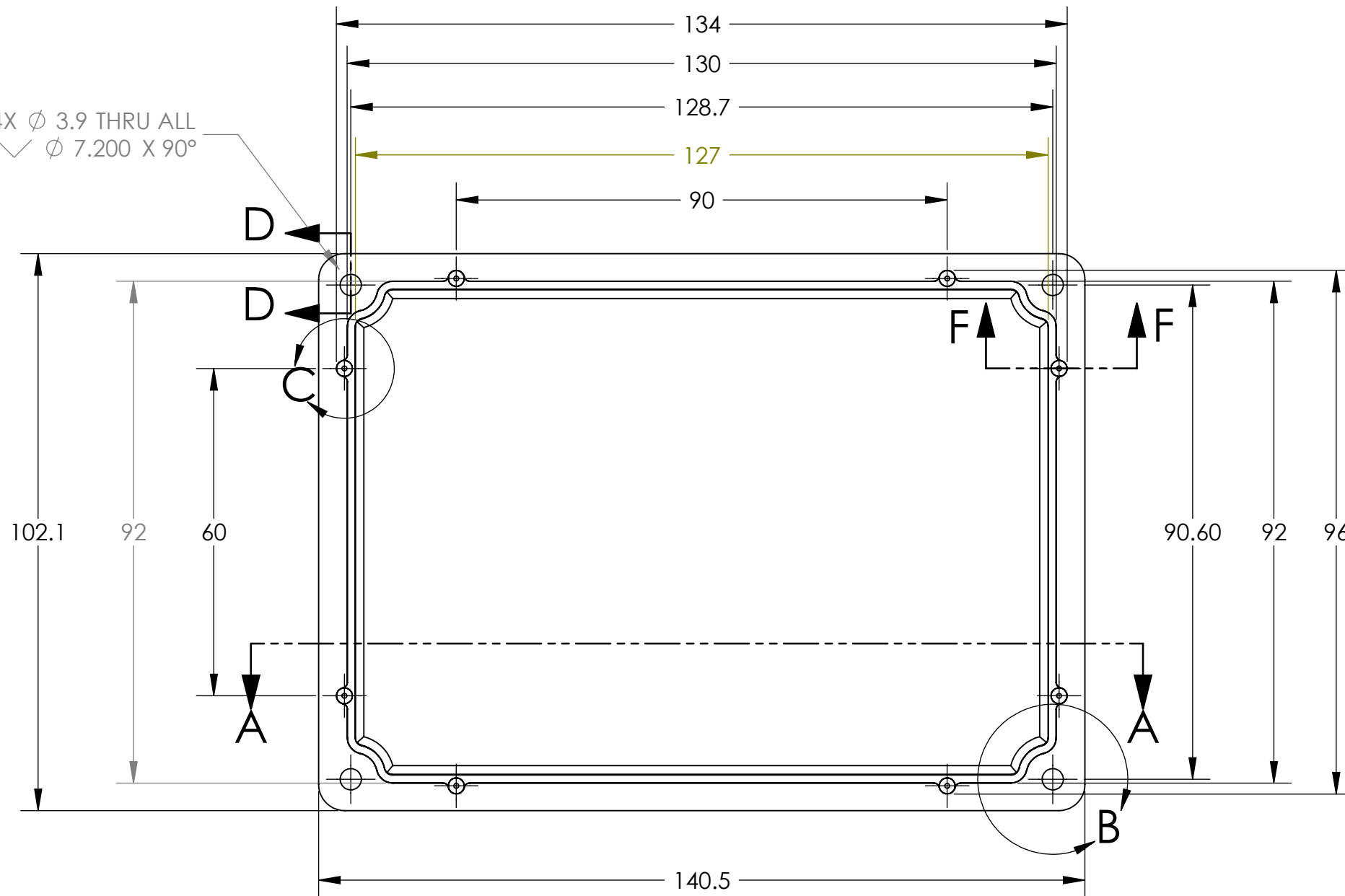
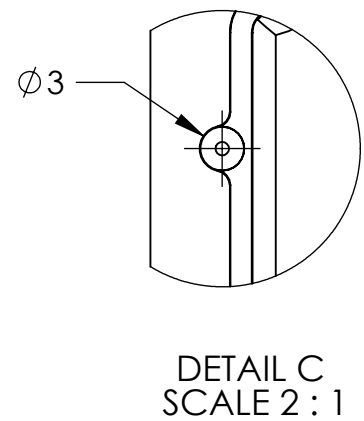
FINISH
DEBURR AND BREAK SHARP EDGES
DRAWN BY B.SILLENCE
APPROVED BY B.SILLENCE
THIRD ANGLE PROJECTION
IF IN DOUBT ASK DO NOT SCALE DRAWING
MATERIAL Diecast Aluminium

SHEET 1 OF 1
SCALE 1:1
A3

TITLE **PROCUREMENT SPECIFICATION FOR 'K' SIZE FLANGED BOX**
DRAWING NO. **K BOX FLANGED**
ISSUE **01**
Release



4X ϕ 3.9 THRU ALL
 \surd ϕ 7.200 X 90°



Tel No.+44(0)1724273200 Website www.dem-uk.com



PROPRIETARY AND CONFIDENTIAL
 THE INFORMATION CONTAINED IN THIS DRAWING IS THE SOLE PROPERTY OF ALPHA 3 MANUFACTURING.
 ANY REPRODUCTION IN PART OR AS A WHOLE WITHOUT THE WRITTEN PERMISSION OF ALPHA 3 MANUFACTURING IS PROHIBITED.

DEM Manufacturing, Deltron Emcon House
 Hargreaves Way, Sawcliffe Ind. Park,
 Scunthorpe, North Lincolnshire, DN15 8RF, UK

UNLESS OTHERWISE SPECIFIED:
 DIMENSIONS ARE IN MILLIMETRES
 LINEAR TOLERANCE:
NO DECIMAL PLACES $\pm 0.5\text{mm}$
1 DECIMAL PLACE $\pm 0.25\text{mm}$
2 DECIMAL PLACES $\pm 0.125\text{mm}$
 ANGULAR TOLERANCE: $\pm 1^\circ$

FINISH	.	DEBURR AND BREAK SHARP EDGES
MATERIAL	Diecast Aluminium	
IF IN DOUBT ASK DO NOT SCALE DRAWING		

DRAWN BY	B.SILLENCE
APPROVED BY	B.SILLENCE
THIRD ANGLE PROJECTION	

SHEET 1 OF 1
SCALE 1:1
A3

TITLE		PROCUREMENT SPECIFICATION FOR 'K' SIZE BOX LID	
DRAWING NO.	K BOX	ISSUE	05
		Release	