

Tel No.+44(0)1724273200 Website www.dem-uk.com



**PROPRIETARY AND CONFIDENTIAL**  
THE INFORMATION CONTAINED IN THIS DRAWING IS THE SOLE PROPERTY OF  
**ALPHA 3 MANUFACTURING.**  
ANY REPRODUCTION IN PART OR AS A WHOLE WITHOUT THE WRITTEN  
PERMISSION OF  
**ALPHA 3 MANUFACTURING** IS PROHIBITED.

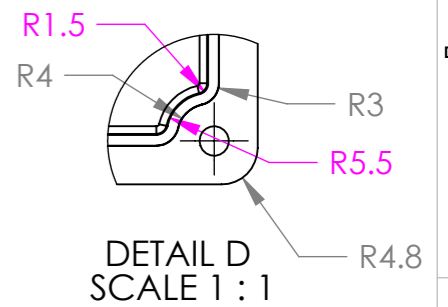
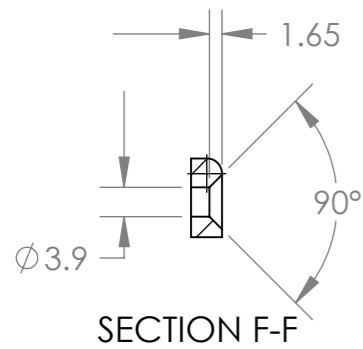
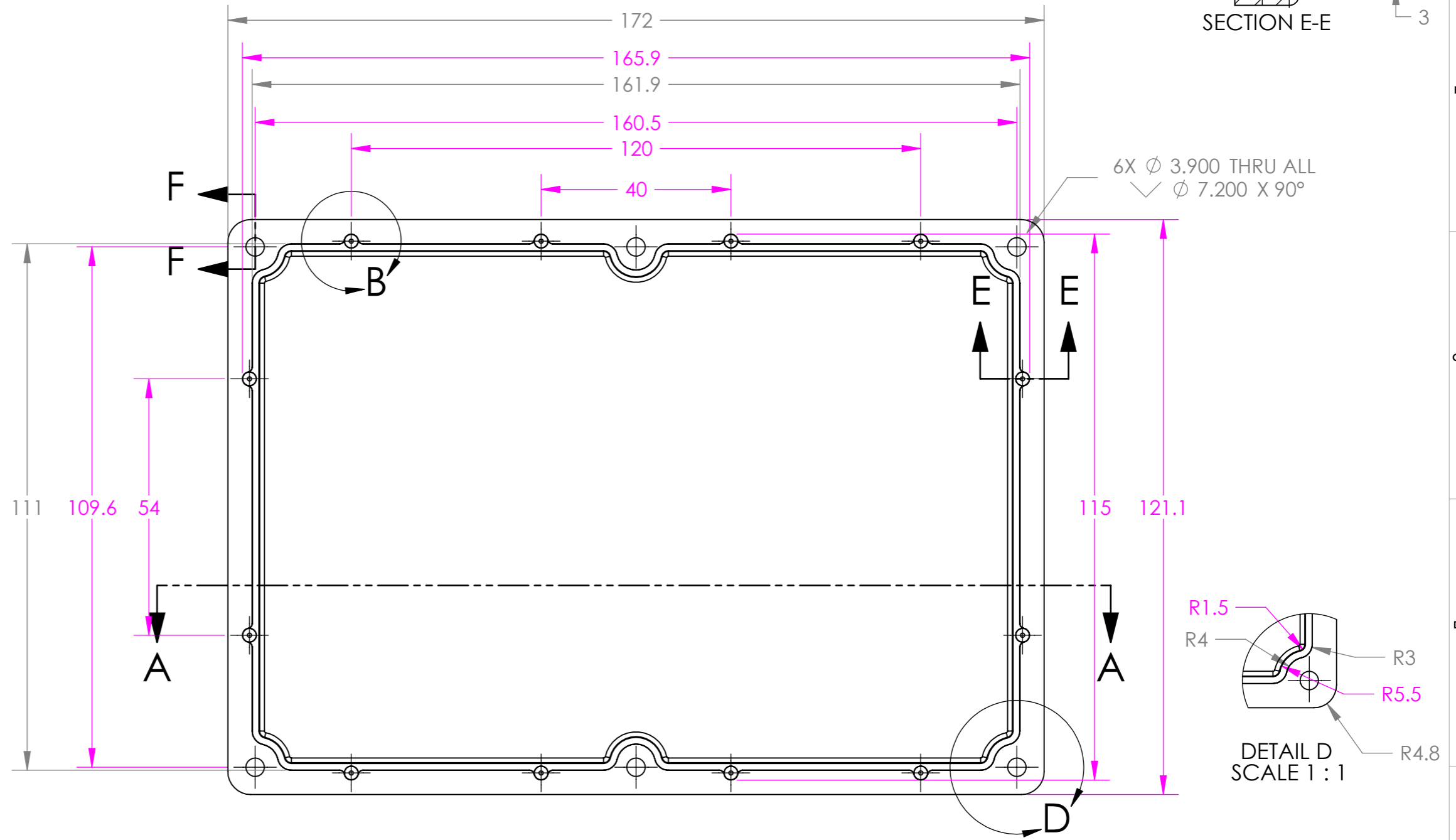
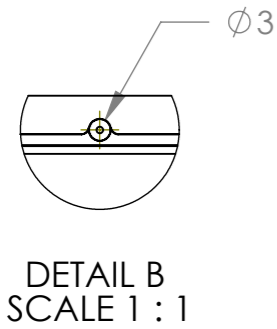
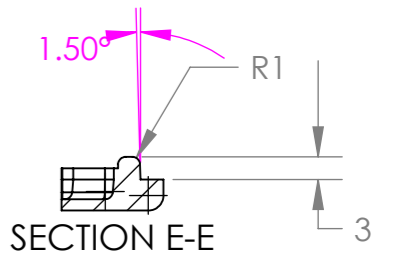
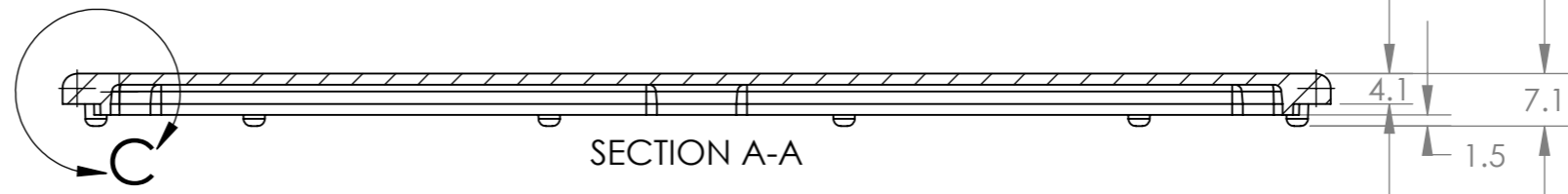
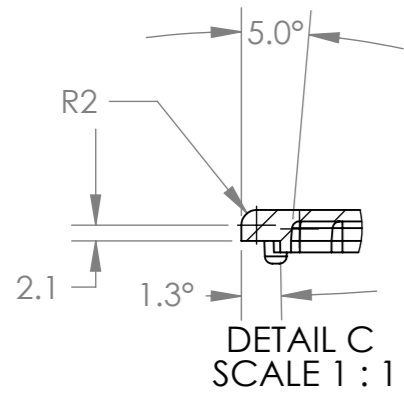
**DEM** Manufacturing, Deltron Emcon House  
Hargreaves Way, Sawcliffe Ind. Park,  
Scunthorpe, North Lincolnshire, DN15 8RF, UK

UNLESS OTHERWISE SPECIFIED:  
DIMENSIONS ARE IN MILLIMETRES  
LINEAR TOLERANCE:  
**NO DECIMAL PLACES ±0.5mm**  
**1 DECIMAL PLACE ±0.25mm**  
**2 DECIMAL PLACES ±0.125mm**  
ANGULAR TOLERANCE: ±1°

FINISH .  
DEBURR AND BREAK SHARP EDGES  
DRAWN BY B.SILLENC  
APPROVED BY B.SILLENC  
THIRD ANGLE PROJECTION  
IF IN DOUBT ASK DO NOT SCALE DRAWING  
MATERIAL DieCast Aluminium Alloy

SHEET 1 OF 1  
SCALE 1:1  
A3

TITLE **PROCUREMENT SPECIFICATION FOR 'E' SIZE FLANGED BOX**  
DRAWING NO. **E BOX FLANGED**  
ISSUE **01**  
Release



Tel No.+44(0)1724273200 Website www.dem-uk.com



**PROPRIETARY AND CONFIDENTIAL**  
THE INFORMATION CONTAINED IN THIS DRAWING IS THE SOLE PROPERTY OF ALPHA 3 MANUFACTURING.  
ANY REPRODUCTION IN PART OR AS A WHOLE WITHOUT THE WRITTEN PERMISSION OF ALPHA 3 MANUFACTURING IS PROHIBITED.



DEM Manufacturing, Deltron Emcon House  
Hargreaves Way, Sawcliffe Ind. Park,  
Scunthorpe, North Lincolnshire, DN15 8RF, UK

UNLESS OTHERWISE SPECIFIED:  
DIMENSIONS ARE IN MILLIMETRES  
LINEAR TOLERANCE:  
**NO DECIMAL PLACES ±0.5mm**  
**1 DECIMAL PLACE ±0.25mm**  
**2 DECIMAL PLACES ±0.125mm**  
ANGULAR TOLERANCE: ±1°

FINISH	·	DEBURR AND BREAK SHARP EDGES
MATERIAL	DieCast Aluminium Alloy	

DRAWN BY	B.SILLENC
APPROVED BY	B.SILLENC
THIRD ANGLE PROJECTION	

B.SILLENC
B.SILLENC
SHEET 1 OF 1
SCALE 1:1
A3

TITLE		PROCUREMENT SPECIFICATION FOR E/F SIZE BOX LID	
DRAWING NO.		E / F LID	
ISSUE		04	
		Release	