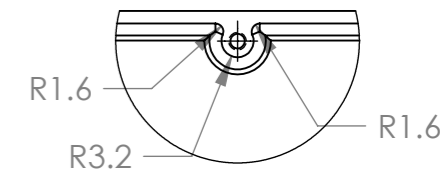
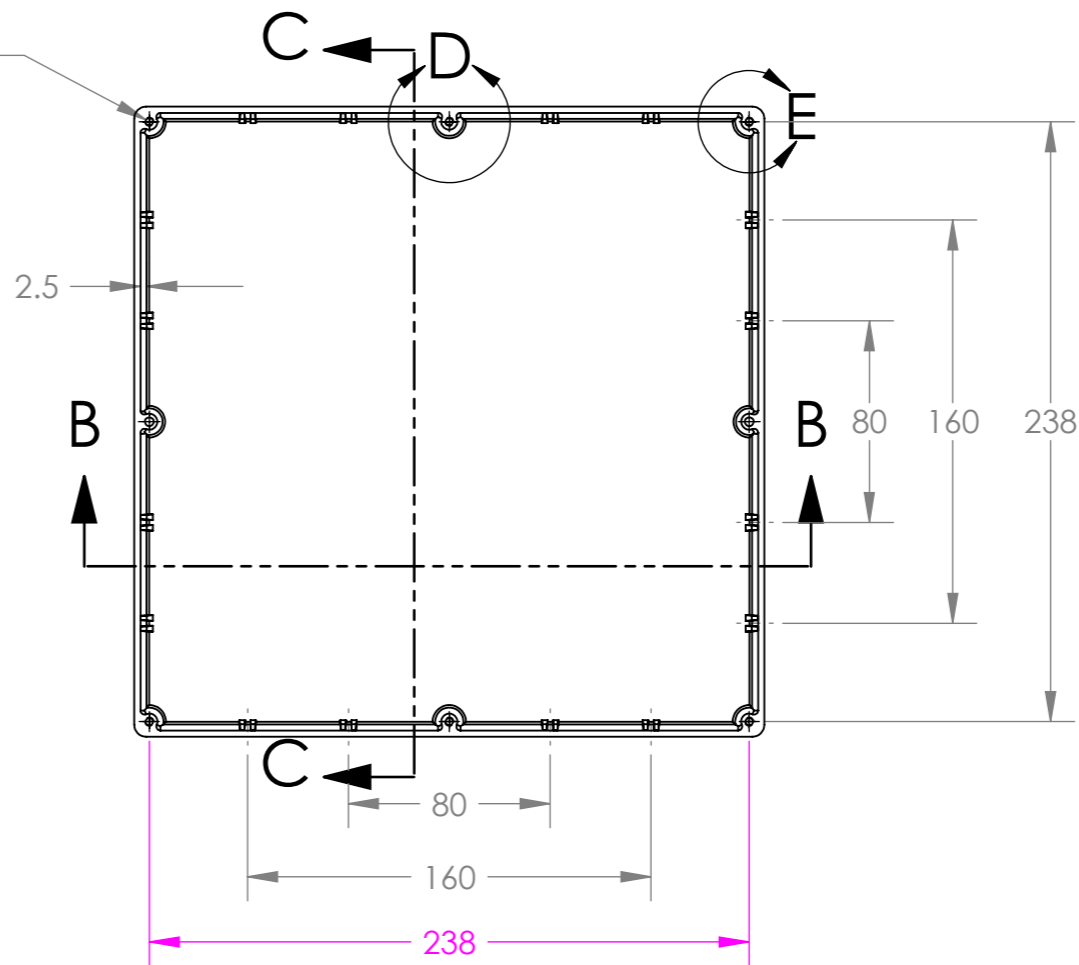
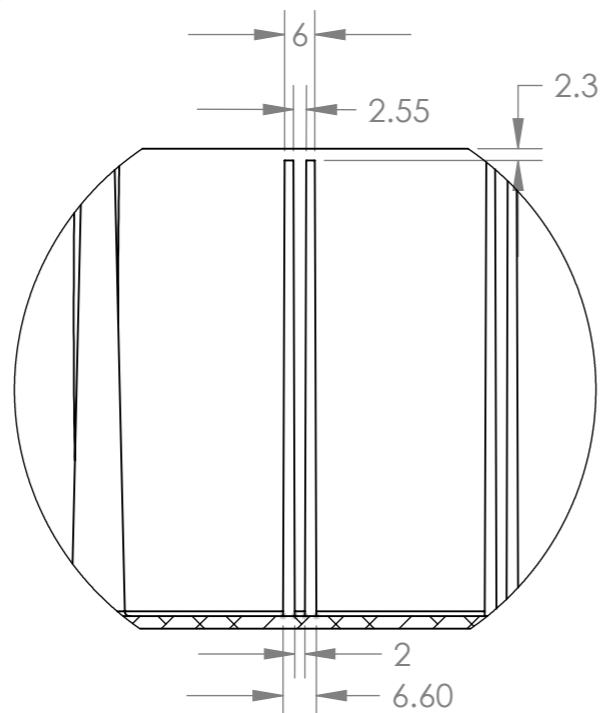


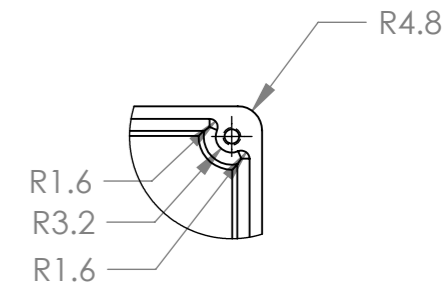
6X \varnothing 2.9 ∇ 13
M3.5X0.6 - 6H ∇ 12



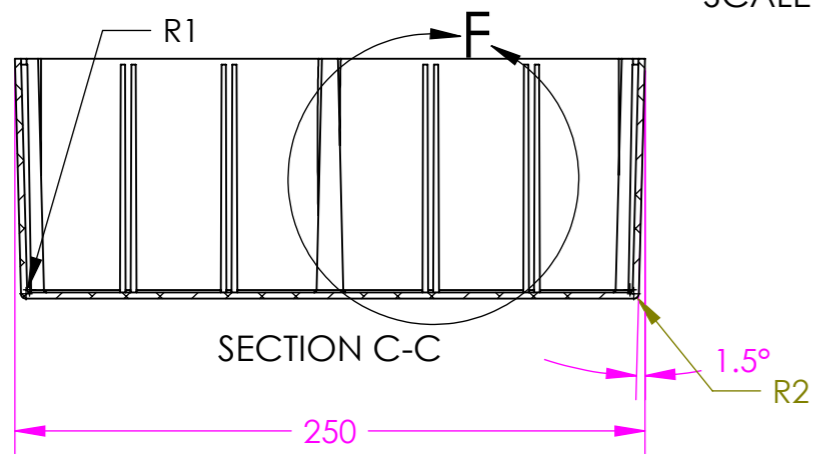
DETAIL D
SCALE 2 : 3



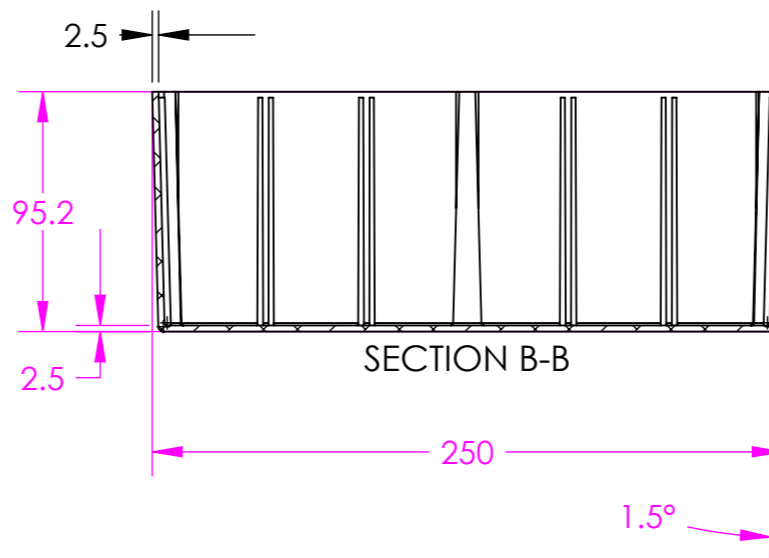
DETAIL F
SCALE 2 : 3



DETAIL E
SCALE 2 : 3



SECTION C-C



SECTION B-B

	GENERAL PURPOSE		
SIZE	PLAIN	POWDER COATED	NYLON COATED
N	459-0130	461-0130	462-0130
SEALED			
N	460-0130	453-0130	454-0130

Tel No.+44(0)1724273200 Website www.dem-uk.com

PROPRIETARY AND CONFIDENTIAL
THE INFORMATION CONTAINED IN THIS DRAWING IS THE SOLE PROPERTY OF ALPHA 3 MANUFACTURING.
ANY REPRODUCTION IN PART OR AS A WHOLE WITHOUT THE WRITTEN PERMISSION OF ALPHA 3 MANUFACTURING IS PROHIBITED.

UNLESS OTHERWISE SPECIFIED:
DIMENSIONS ARE IN MILLIMETRES
LINEAR TOLERANCE:
NO DECIMAL PLACES ± 0.5 mm
1 DECIMAL PLACE ± 0.25 mm
2 DECIMAL PLACES ± 0.125 mm
ANGULAR TOLERANCE: $\pm 1^\circ$



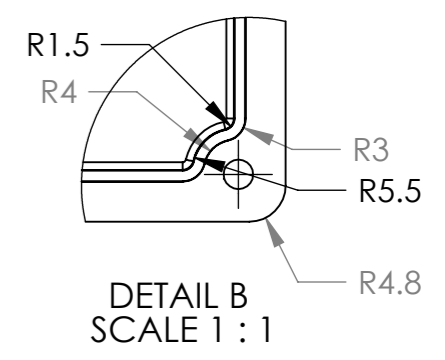
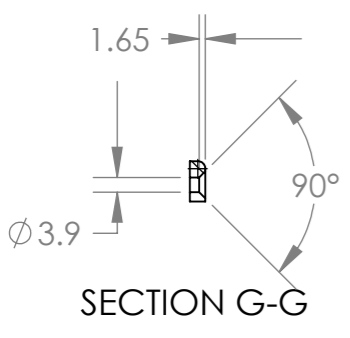
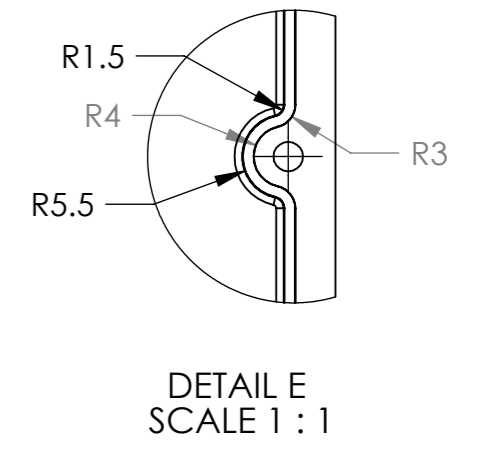
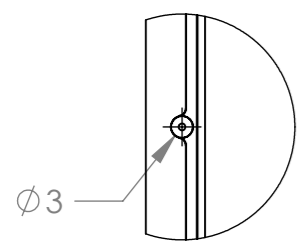
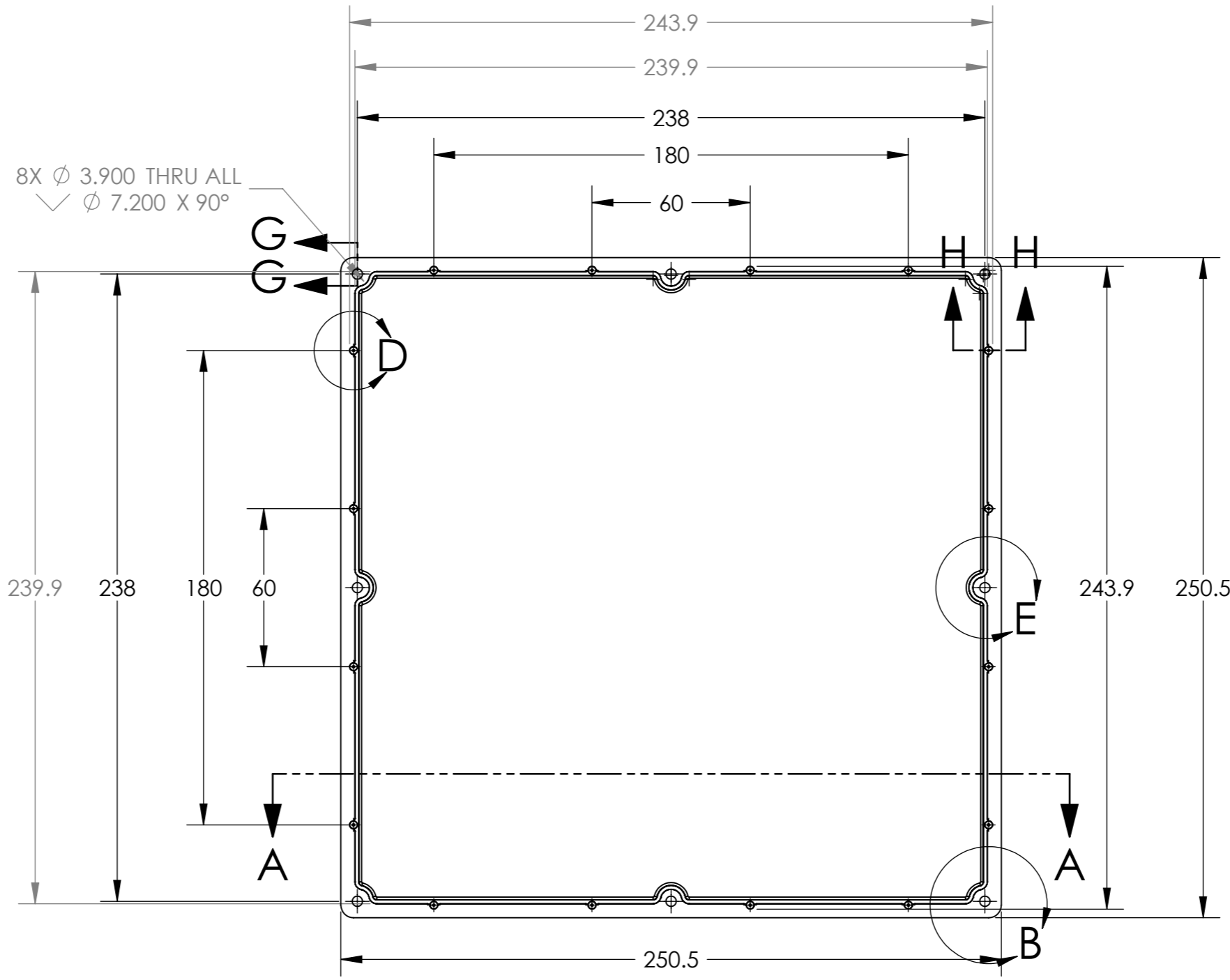
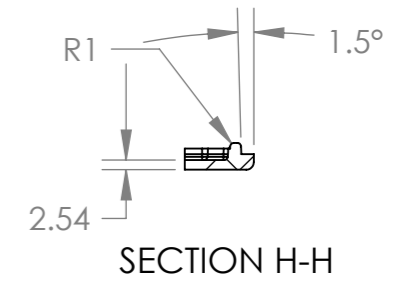
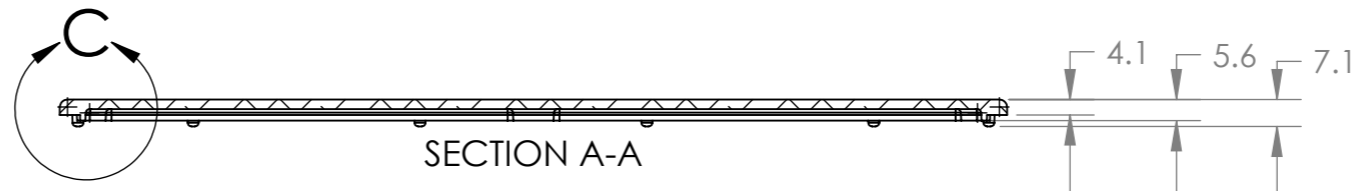
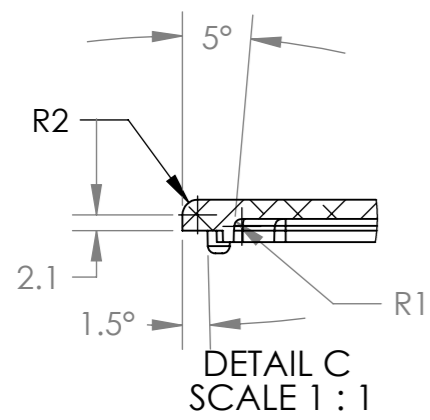
DEM Manufacturing, Deltron Emcon House
Hargreaves Way, Sawcliffe Ind. Park,
Scunthorpe, North Lincolnshire, DN15 8RF, UK

FINISH	DEBURR AND BREAK SHARP EDGES
MATERIAL	DieCast Aluminium Alloy
IF IN DOUBT ASK DO NOT SCALE DRAWING	

DRAWN BY	B.SILLENCE
APPROVED BY	B.SILLENCE
THIRD ANGLE PROJECTION	

SHEET 1 OF 1
SCALE 1:3
A3

TITLE		PROCUREMENT SPECIFICATION FOR 'N' SIZE DIECAST BOX	
DRAWING NO.		N BOX	ISSUE 01
			Release



Tel No.+44(0)1724273200 Website www.dem-uk.com



PROPRIETARY AND CONFIDENTIAL
THE INFORMATION CONTAINED IN THIS DRAWING IS THE SOLE PROPERTY OF ALPHA 3 MANUFACTURING.
ANY REPRODUCTION IN PART OR AS A WHOLE WITHOUT THE WRITTEN PERMISSION OF ALPHA 3 MANUFACTURING IS PROHIBITED.

DEM Manufacturing, Deltron Emcon House
Hargreaves Way, Sawcliffe Ind. Park,
Scunthorpe, North Lincolnshire, DN15 8RF, UK

UNLESS OTHERWISE SPECIFIED:
DIMENSIONS ARE IN MILLIMETRES
LINEAR TOLERANCE:
NO DECIMAL PLACES ±0.5mm
1 DECIMAL PLACE ±0.25mm
2 DECIMAL PLACES ±0.125mm
ANGULAR TOLERANCE: ±1°

FINISH	.	DEBURR AND BREAK SHARP EDGES	DRAWN BY	B.SILLENC
	.		APPROVED BY	B.SILLENC
			THIRD ANGLE PROJECTION	SHEET 1 OF 1
				SCALE 1:2
MATERIAL	DieCast Aluminium Alloy			A3

TITLE		PROCUREMENT SPECIFICATION FOR 'N' SIZE BOX LID	
DRAWING NO.	N LID	ISSUE	03
			Release

IF IN DOUBT ASK
DO NOT SCALE DRAWING