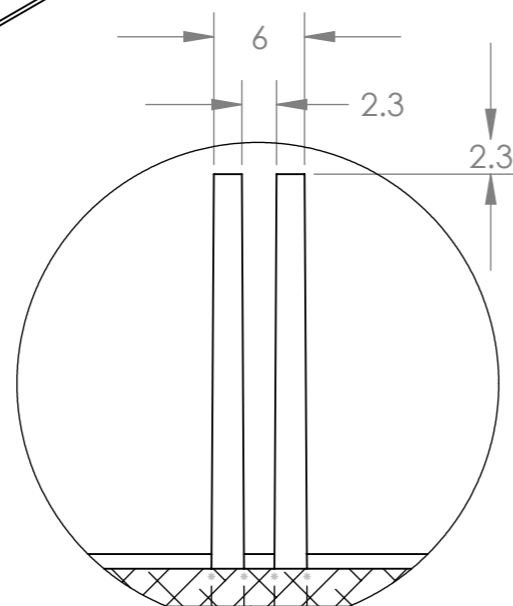
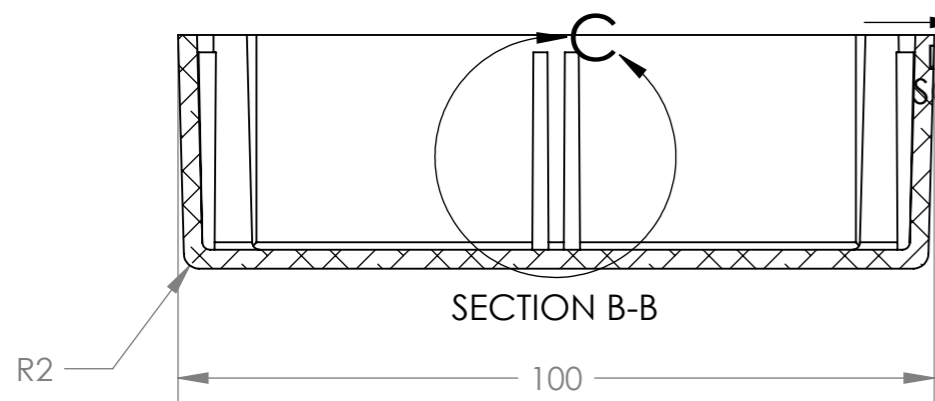


4X  $\varnothing 2.9 \nabla 13$   
M3.5X0.6 - 4H  $\nabla 12$

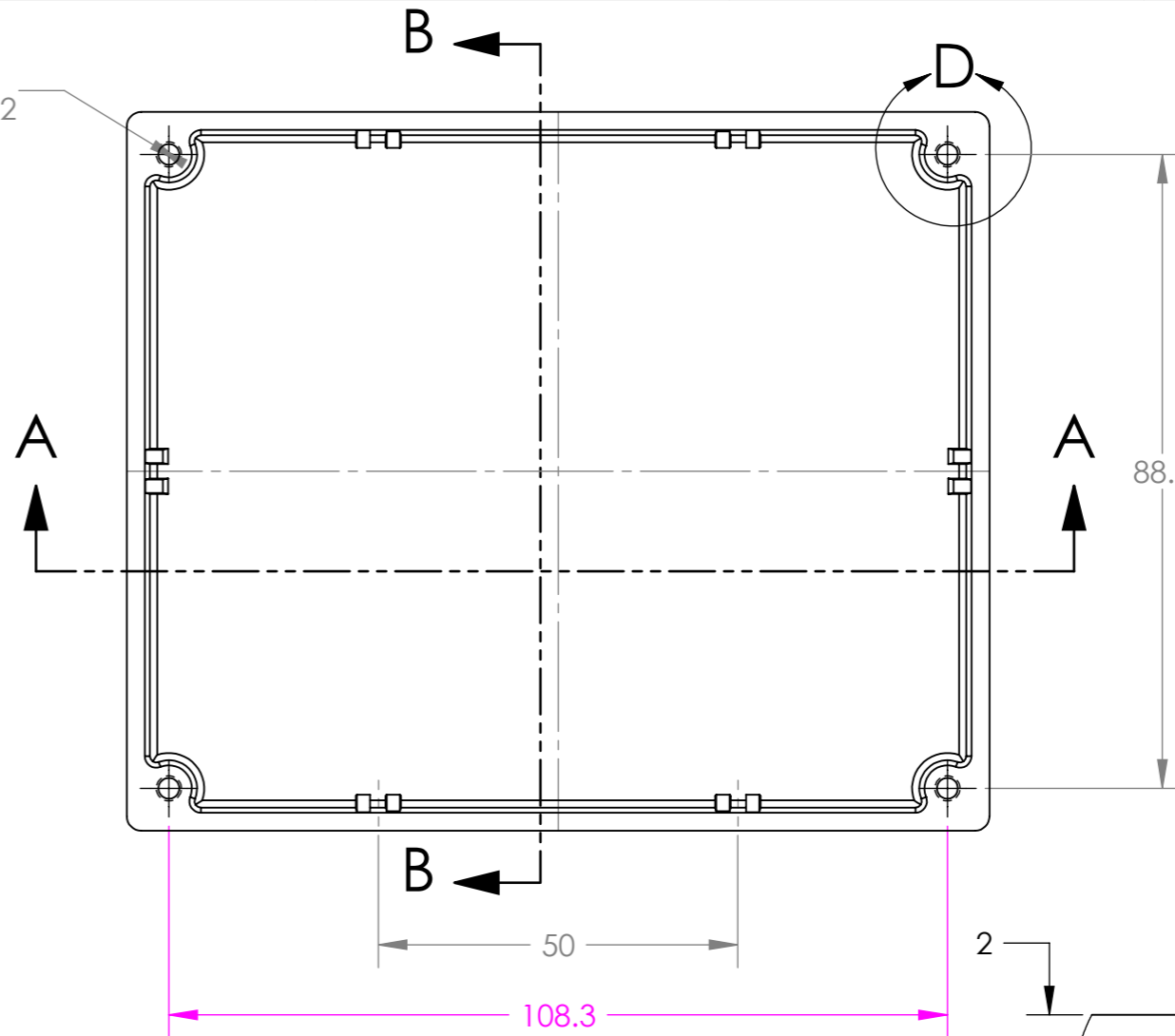


DETAIL C  
SCALE 2:1



SECTION B-B

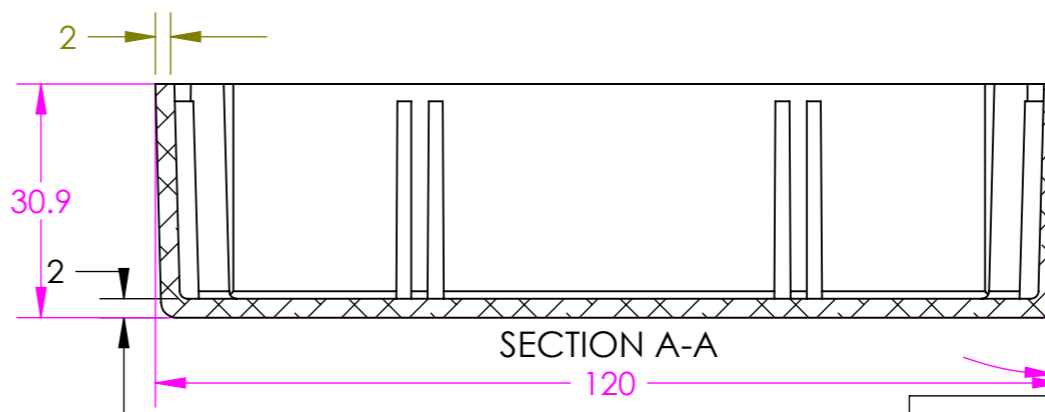
R2 100



88.2

108.3

50

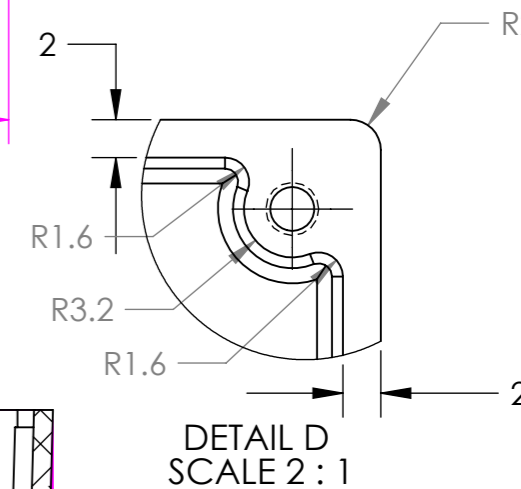


SECTION A-A

30.9

120

1.50°



DETAIL D  
SCALE 2:1

	GENERAL PURPOSE		
SIZE	PLAIN	POWDER COATED	NYLON COATED
M	459-0120	461-0120	462-0120
<b>SEALED</b>			
M	460-0120	453-0120	454-0120

Tel No.+44(0)1724273200 Website www.dem-uk.com



**PROPRIETARY AND CONFIDENTIAL**  
THE INFORMATION CONTAINED IN THIS DRAWING IS THE SOLE PROPERTY OF ALPHA 3 MANUFACTURING.  
ANY REPRODUCTION IN PART OR AS A WHOLE WITHOUT THE WRITTEN PERMISSION OF ALPHA 3 MANUFACTURING IS PROHIBITED.

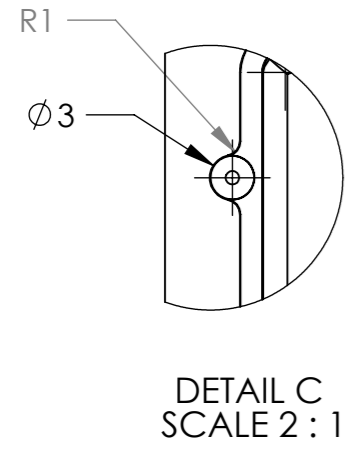
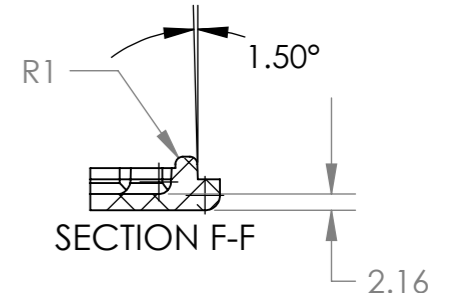
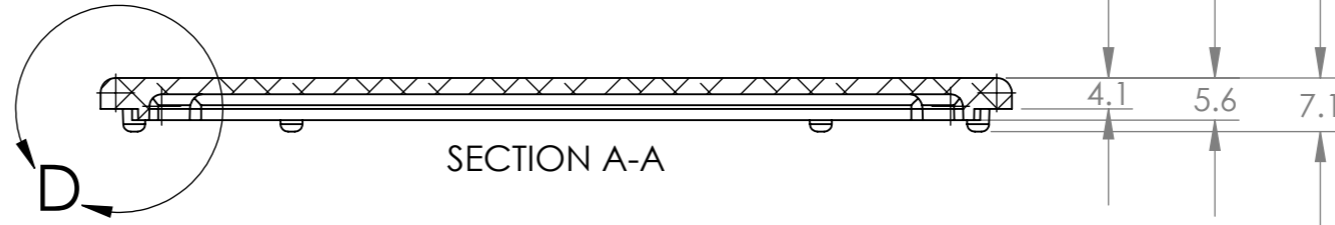
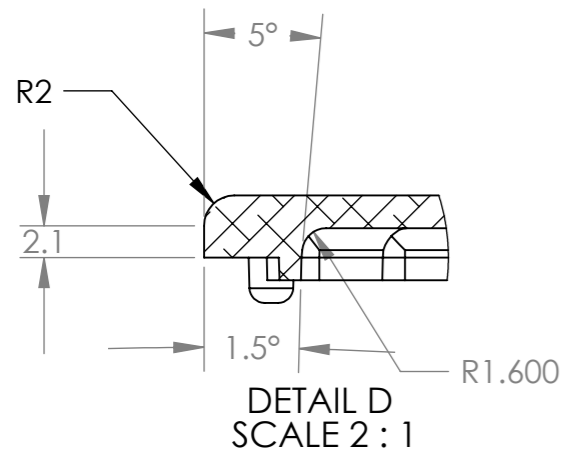
**DEM** Manufacturing, Deltron Emcon House  
Hargreaves Way, Sawcliffe Ind. Park,  
Scunthorpe, North Lincolnshire, DN15 8RF, UK

UNLESS OTHERWISE SPECIFIED:  
DIMENSIONS ARE IN MILLIMETRES  
LINEAR TOLERANCE:  
**NO DECIMAL PLACES  $\pm 0.5\text{mm}$**   
**1 DECIMAL PLACE  $\pm 0.25\text{mm}$**   
**2 DECIMAL PLACES  $\pm 0.125\text{mm}$**   
ANGULAR TOLERANCE:  $\pm 1^\circ$

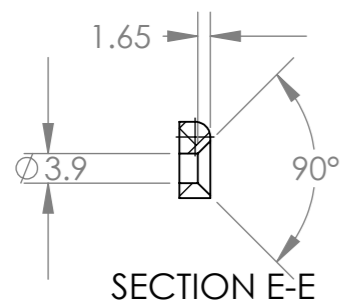
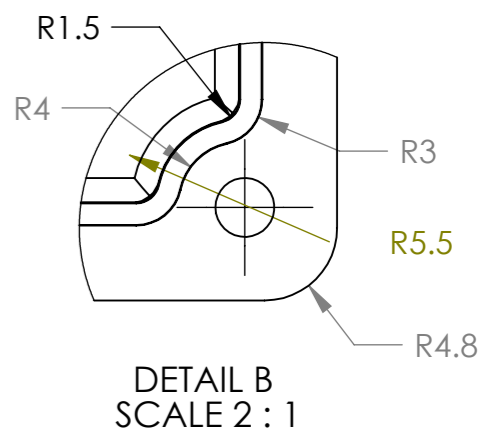
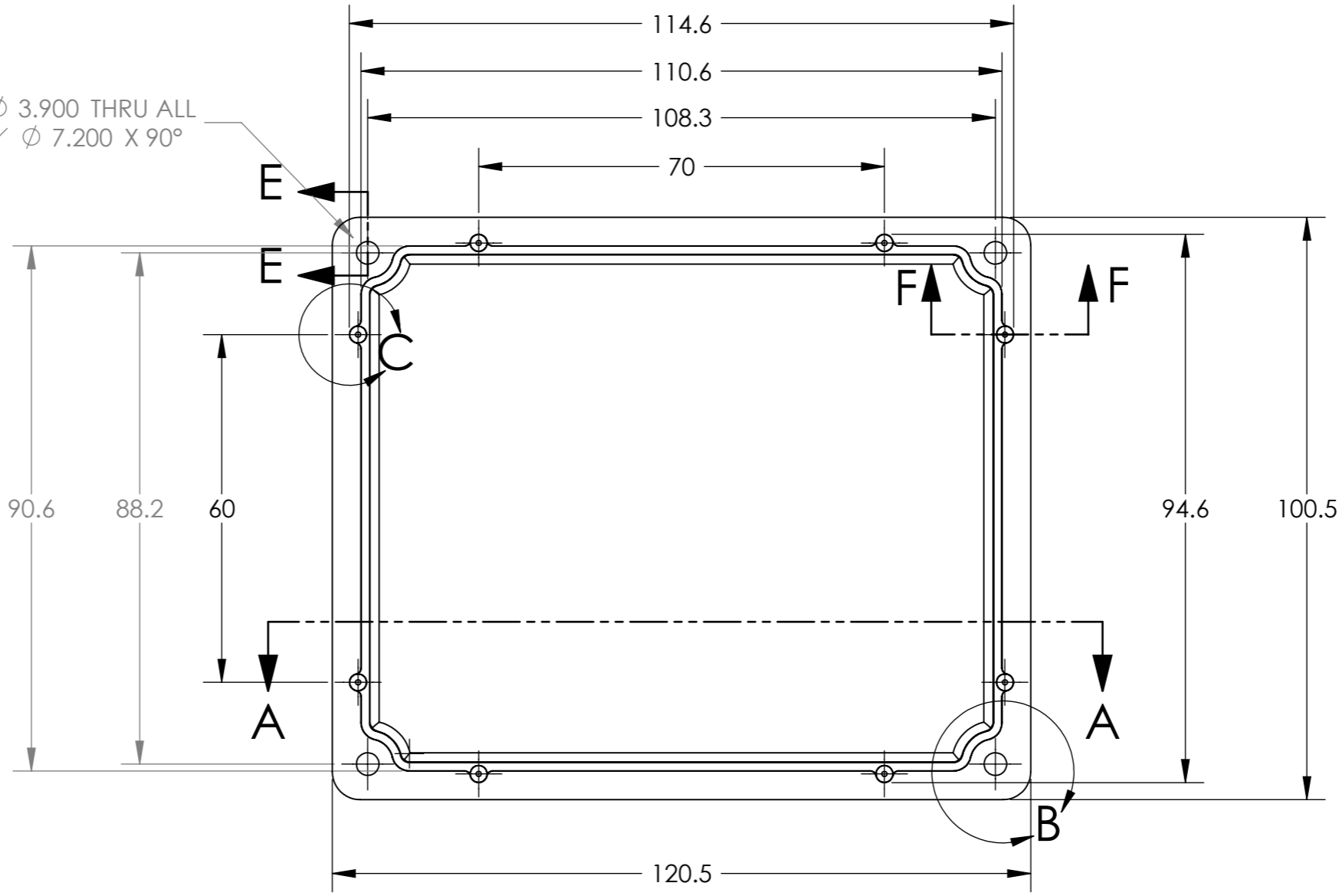
FINISH .  
DEBURR AND BREAK SHARP EDGES  
DRAWN BY B.SILLENCE  
APPROVED BY B.SILLENCE  
THIRD ANGLE PROJECTION  
IF IN DOUBT ASK DO NOT SCALE DRAWING  
MATERIAL DieCast Aluminium Alloy

SHEET 1 OF 1  
SCALE 1:1  
A3

TITLE **PROCUREMENT SPECIFICATION FOR 'M' SIZE DIECAST BOX**  
DRAWING NO. M BOX  
ISSUE 01  
Release



4X Ø 3.900 THRU ALL  
 ✓ Ø 7.200 X 90°



Tel No.+44(0)1724273200 Website www.dem-uk.com



**PROPRIETARY AND CONFIDENTIAL**  
 THE INFORMATION CONTAINED IN THIS DRAWING IS THE SOLE PROPERTY OF ALPHA 3 MANUFACTURING.  
 ANY REPRODUCTION IN PART OR AS A WHOLE WITHOUT THE WRITTEN PERMISSION OF ALPHA 3 MANUFACTURING IS PROHIBITED.

**DEM** Manufacturing, Deltron Emcon House  
 Hargreaves Way, Sawcliffe Ind. Park,  
 Scunthorpe, North Lincolnshire, DN15 8RF, UK

UNLESS OTHERWISE SPECIFIED:  
 DIMENSIONS ARE IN MILLIMETRES  
 LINEAR TOLERANCE:  
**NO DECIMAL PLACES ±0.5mm**  
**1 DECIMAL PLACE ±0.25mm**  
**2 DECIMAL PLACES ±0.125mm**  
 ANGULAR TOLERANCE: ±1°

FINISH	·	DEBURR AND BREAK SHARP EDGES	DRAWN BY	B.SILLENC	TITLE	PROCUREMENT SPECIFICATION FOR 'M' SIZE BOX LID	
	·		APPROVED BY	B.SILLENC	DRAWING NO.	M LID	ISSUE 04
			THIRD ANGLE PROJECTION	SHEET 1 OF 1			Release
			IF IN DOUBT ASK DO NOT SCALE DRAWING	SCALE 1:1			
MATERIAL	DieCast Aluminium Alloy			A3			