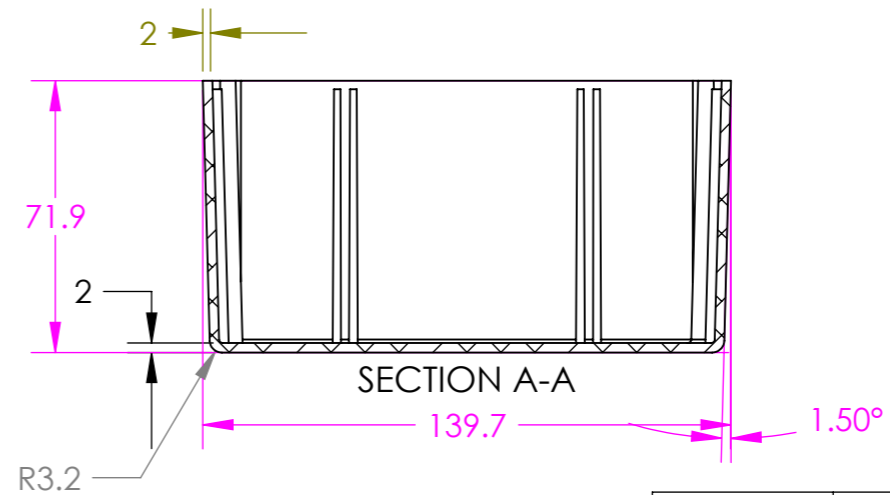
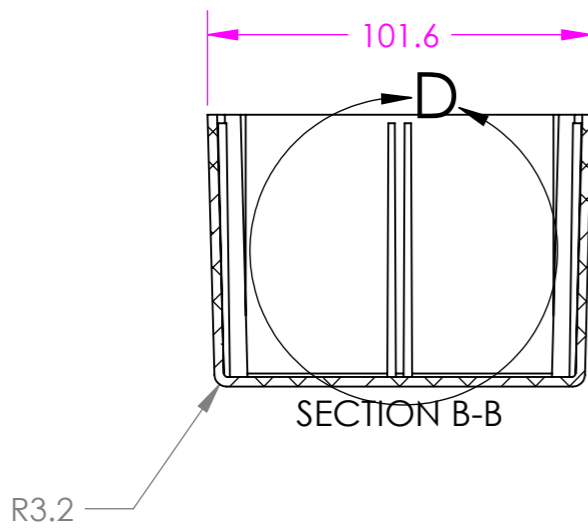
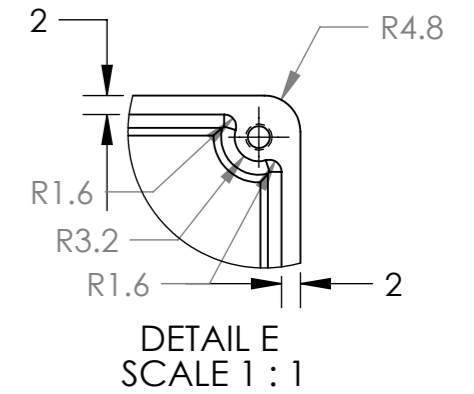
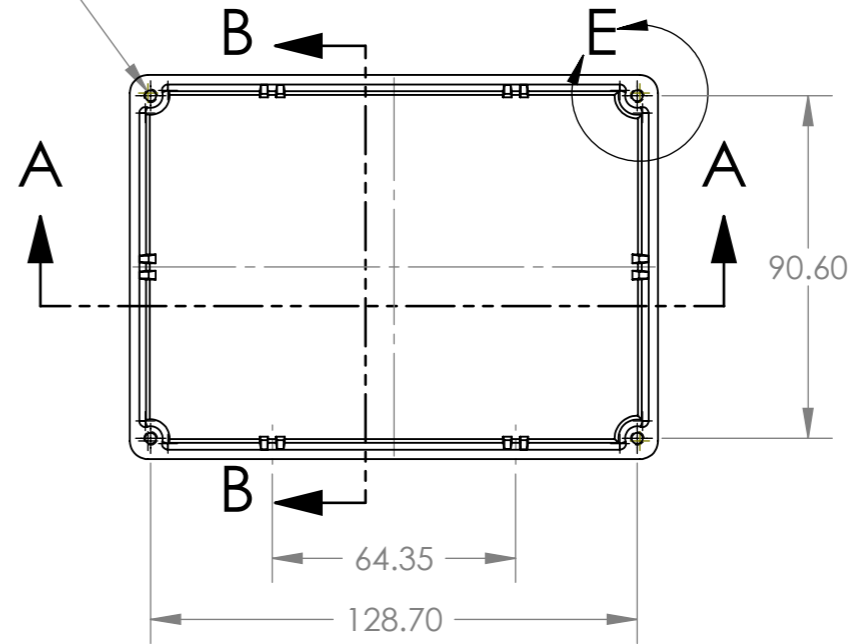
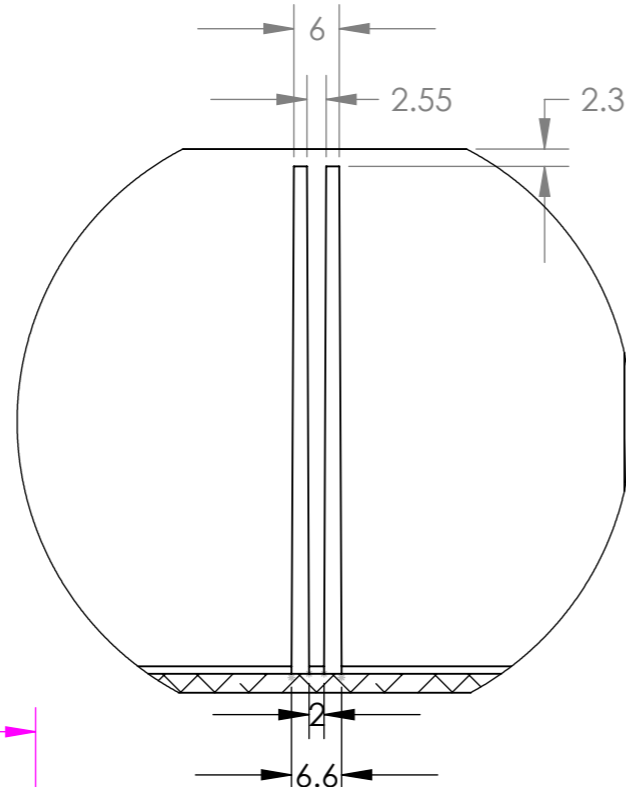


4X Ø 2.9 ∇ 13
M3.5X0.6 - 6H ∇ 12



	GENERAL PURPOSE		
SIZE	PLAIN	POWDER COATED	NYLON COATED
K	459-0100	461-0100	462-0100
SEALED			
K	460-0100	453-0100	454-0100

Tel No.+44(0)1724273200 Website www.dem-uk.com



PROPRIETARY AND CONFIDENTIAL
THE INFORMATION CONTAINED IN THIS DRAWING IS THE SOLE PROPERTY OF ALPHA 3 MANUFACTURING.
ANY REPRODUCTION IN PART OR AS A WHOLE WITHOUT THE WRITTEN PERMISSION OF ALPHA 3 MANUFACTURING IS PROHIBITED.

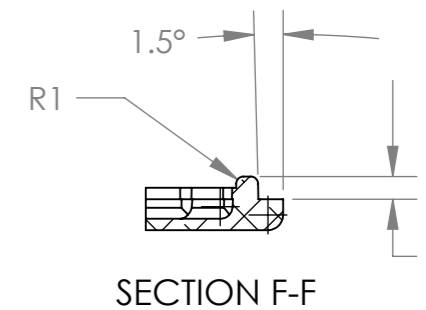
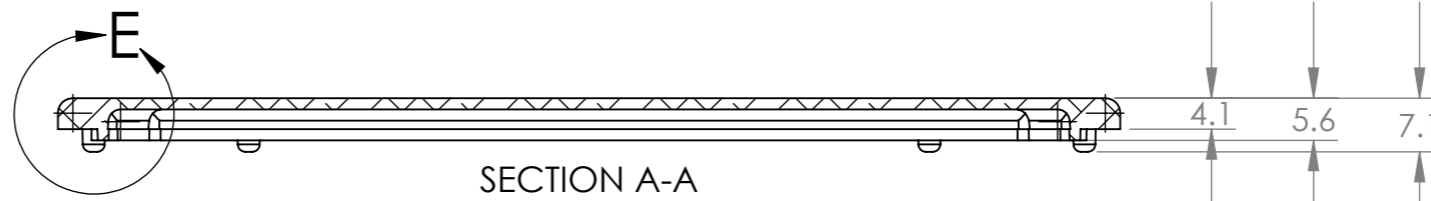
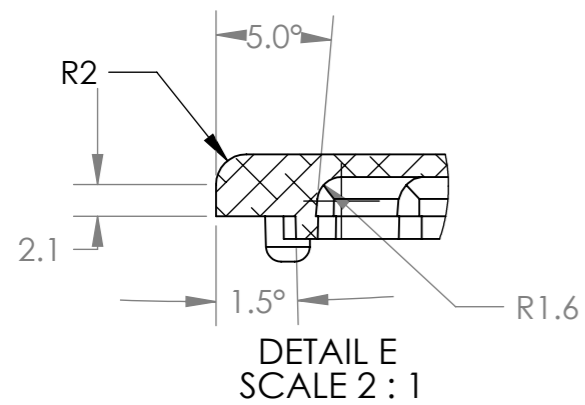
DEM DEM Manufacturing, Deltron Emcon House
Hargreaves Way, Sawcliffe Ind. Park,
Scunthorpe, North Lincolnshire, DN15 8RF, UK

UNLESS OTHERWISE SPECIFIED:
DIMENSIONS ARE IN MILLIMETRES
LINEAR TOLERANCE:
NO DECIMAL PLACES $\pm 0.5\text{mm}$
1 DECIMAL PLACE $\pm 0.25\text{mm}$
2 DECIMAL PLACES $\pm 0.125\text{mm}$
ANGULAR TOLERANCE: $\pm 1^\circ$

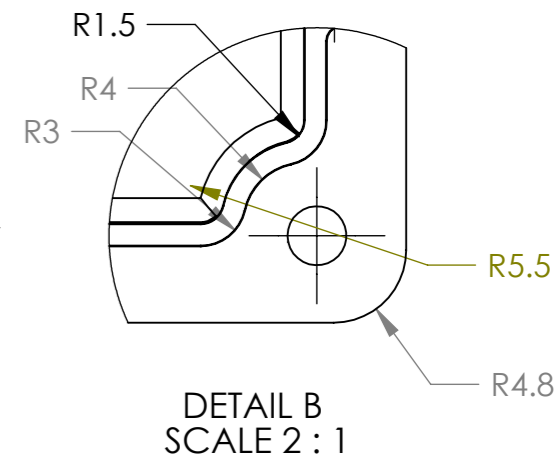
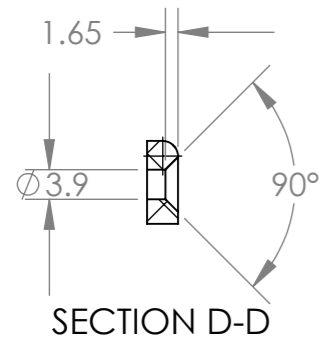
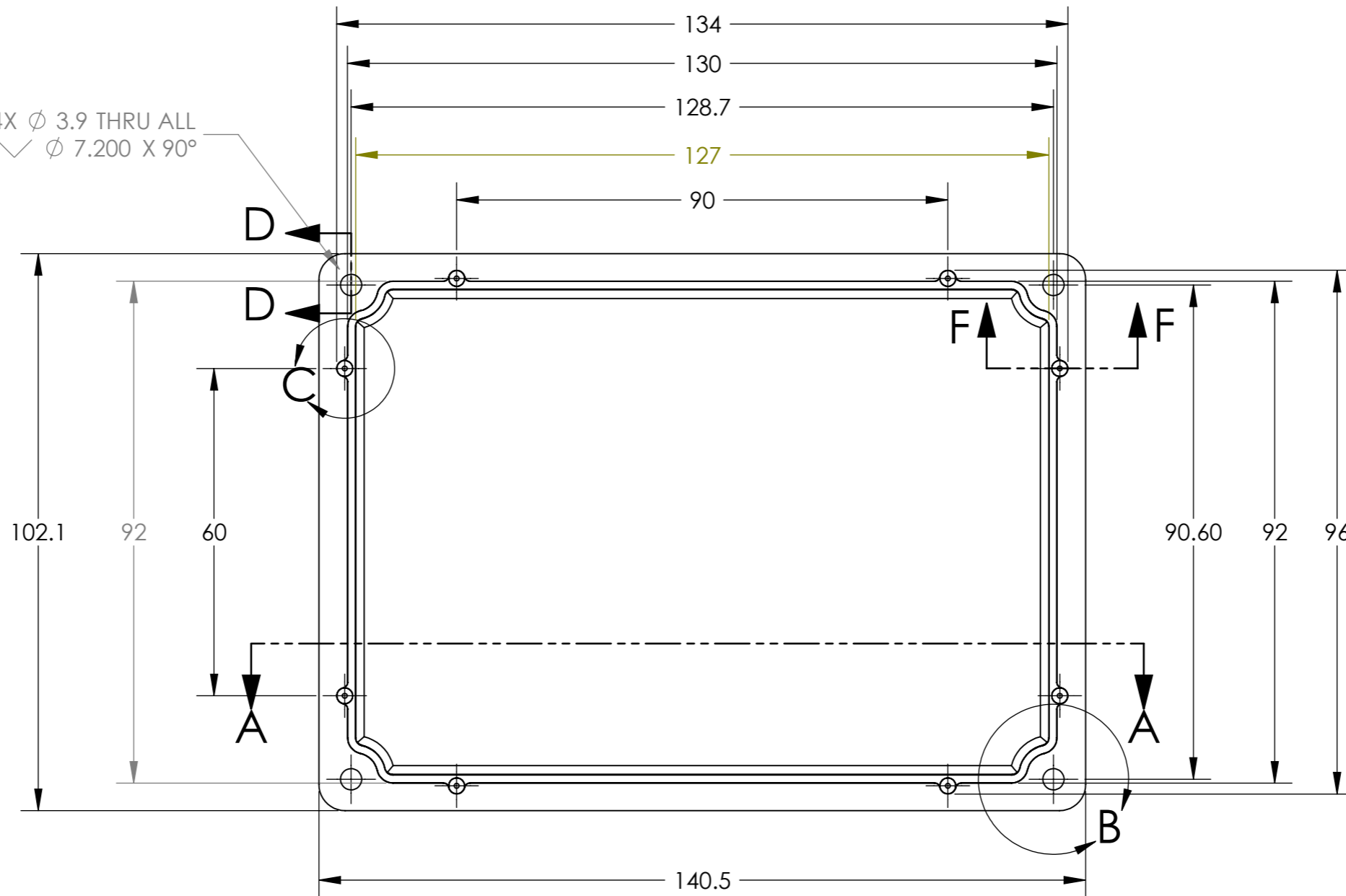
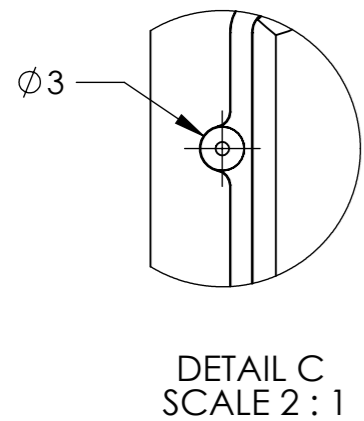
FINISH .
DEBURR AND BREAK SHARP EDGES
DRAWN BY B.SILLENC
APPROVED BY B.SILLENC
THIRD ANGLE PROJECTION
IF IN DOUBT ASK DO NOT SCALE DRAWING
MATERIAL DieCast Aluminium Alloy

SHEET 1 OF 1
SCALE 1:2
A3

TITLE **PROCUREMENT SPECIFICATION FOR 'K' SIZE DIECAST BOX**
DRAWING NO. **K BOX**
ISSUE **01**
Release



4X ϕ 3.9 THRU ALL
 \surd ϕ 7.200 X 90°



Tel No.+44(0)1724273200 Website www.dem-uk.com



PROPRIETARY AND CONFIDENTIAL
 THE INFORMATION CONTAINED IN THIS DRAWING IS THE SOLE PROPERTY OF
ALPHA 3 MANUFACTURING.
 ANY REPRODUCTION IN PART OR AS A WHOLE WITHOUT THE WRITTEN
 PERMISSION OF
ALPHA 3 MANUFACTURING IS PROHIBITED.



DEM Manufacturing, Deltron Emcon House
 Hargreaves Way, Sawcliffe Ind. Park,
 Scunthorpe, North Lincolnshire, DN15 8RF, UK

UNLESS OTHERWISE SPECIFIED:
 DIMENSIONS ARE IN MILLIMETRES
 LINEAR TOLERANCE:
NO DECIMAL PLACES $\pm 0.5\text{mm}$
1 DECIMAL PLACE $\pm 0.25\text{mm}$
2 DECIMAL PLACES $\pm 0.125\text{mm}$
 ANGULAR TOLERANCE: $\pm 1^\circ$

FINISH	.	DEBURR AND BREAK SHARP EDGES	DRAWN BY APPROVED BY	B.SILLENC	TITLE
MATERIAL	Diecast Aluminium	IF IN DOUBT ASK DO NOT SCALE DRAWING	THIRD ANGLE PROJECTION	B.SILLENC	PROCUREMENT SPECIFICATION FOR 'K' SIZE BOX LID
				SHEET 1 OF 1	DRAWING NO.
				SCALE 1:1	K BOX
				A3	ISSUE 05 Release