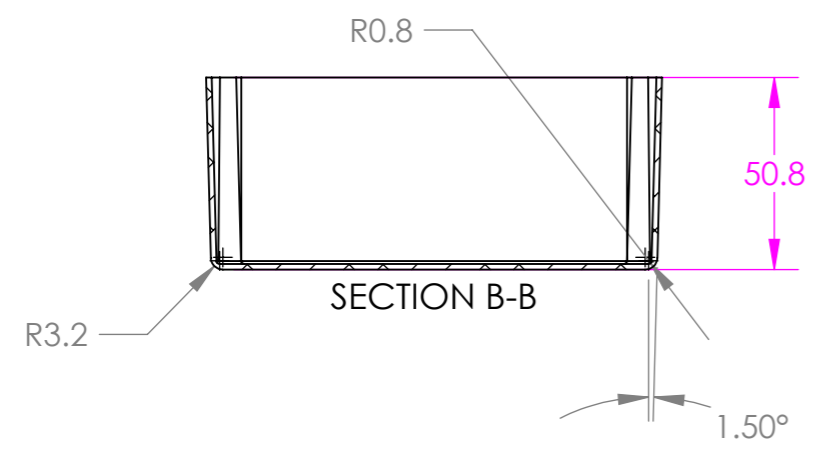
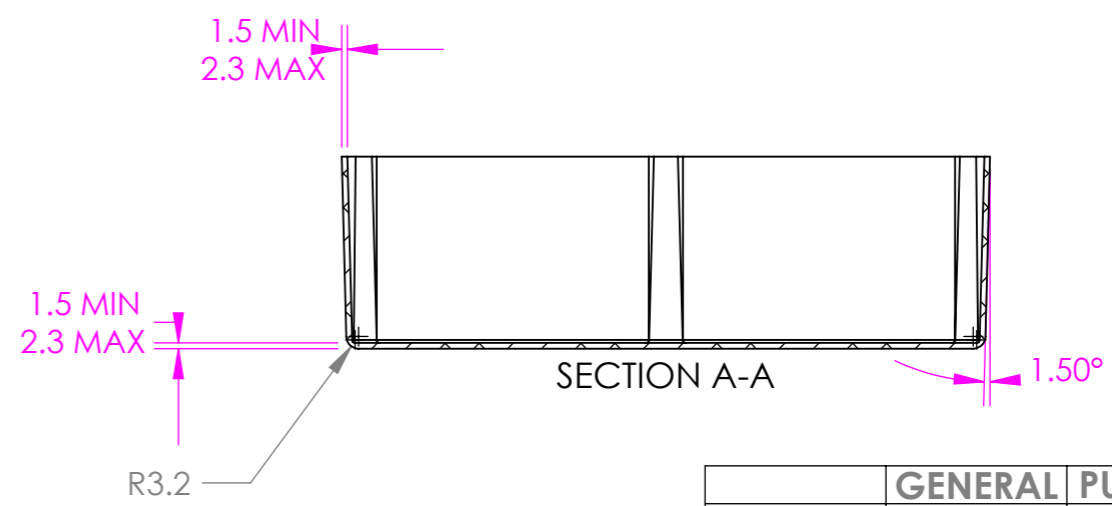
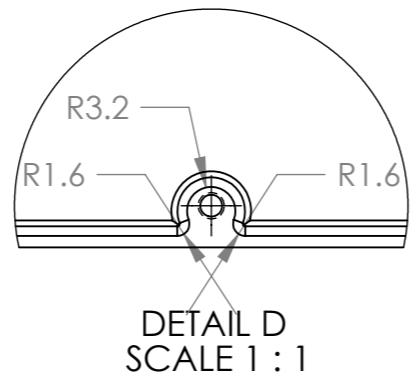
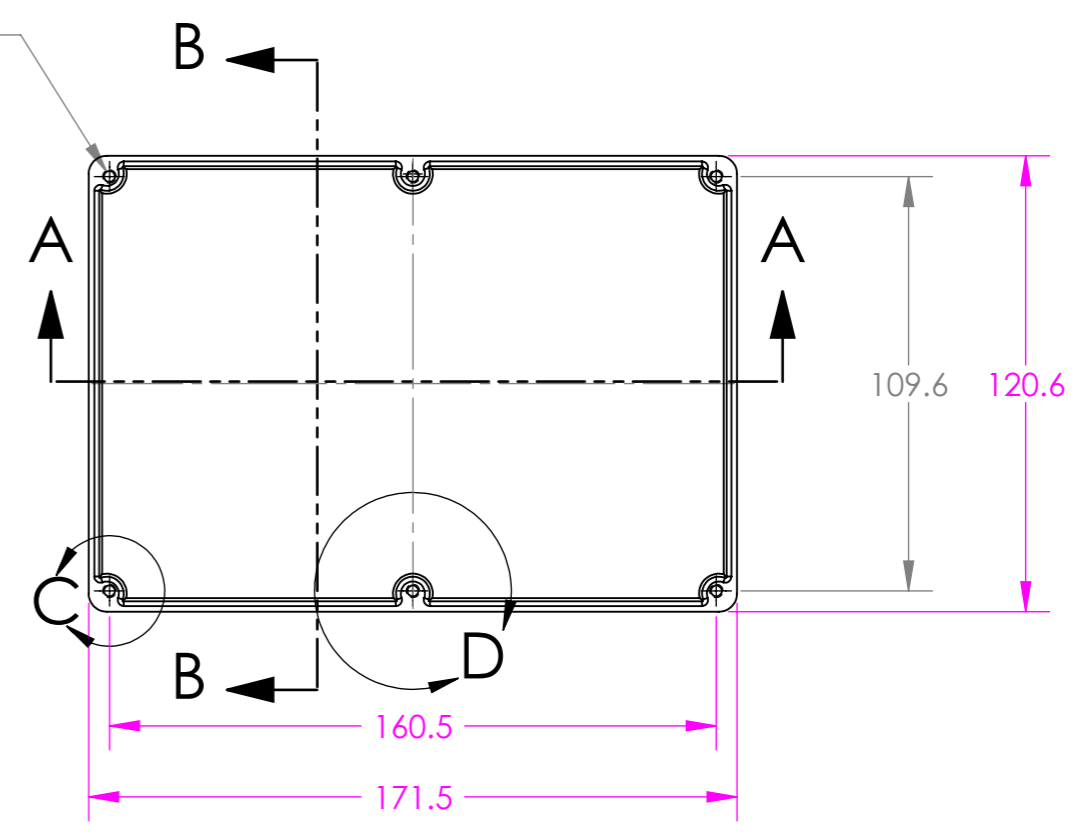
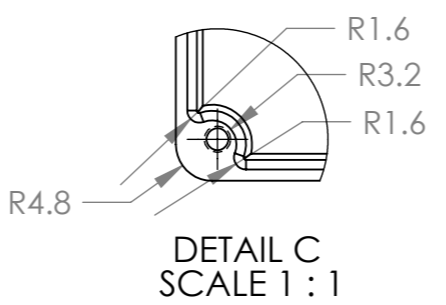


6X \varnothing 2.9 ∇ 13.800
M3.5X0.6 - 6H ∇ 12



	GENERAL PURPOSE		
SIZE	PLAIN	POWDER COATED	NYLON COATED
E	459-0050	461-0050	462-0050
SEALED			
E	460-0050	453-0050	454-0050

Tel No.+44(0)1724273200 Website www.dem-uk.com



PROPRIETARY AND CONFIDENTIAL
THE INFORMATION CONTAINED IN THIS DRAWING IS THE SOLE PROPERTY OF ALPHA 3 MANUFACTURING.
ANY REPRODUCTION IN PART OR AS A WHOLE WITHOUT THE WRITTEN PERMISSION OF ALPHA 3 MANUFACTURING IS PROHIBITED.

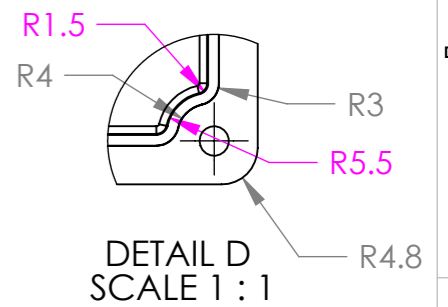
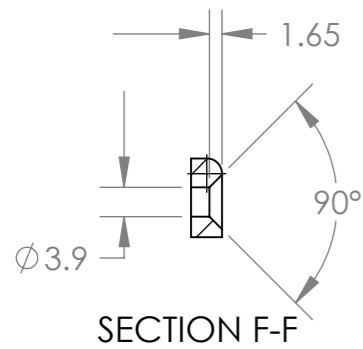
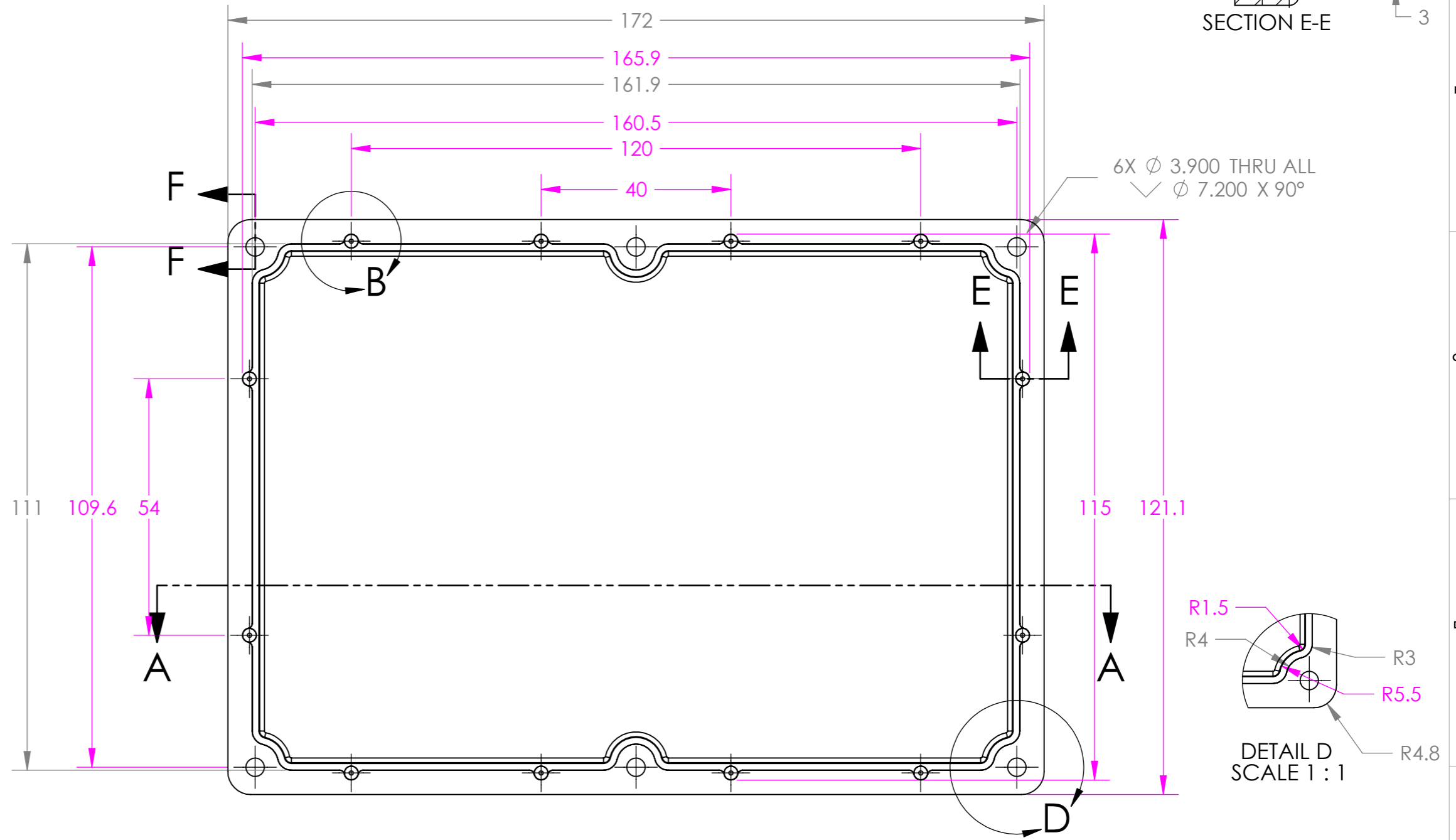
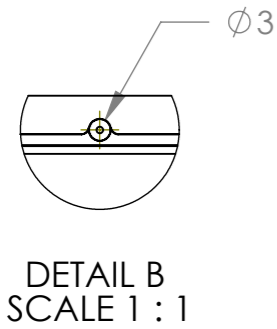
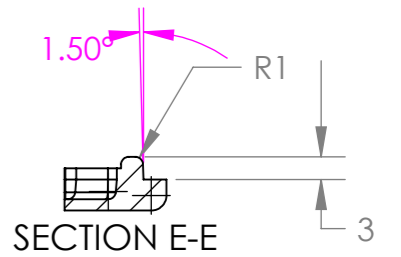
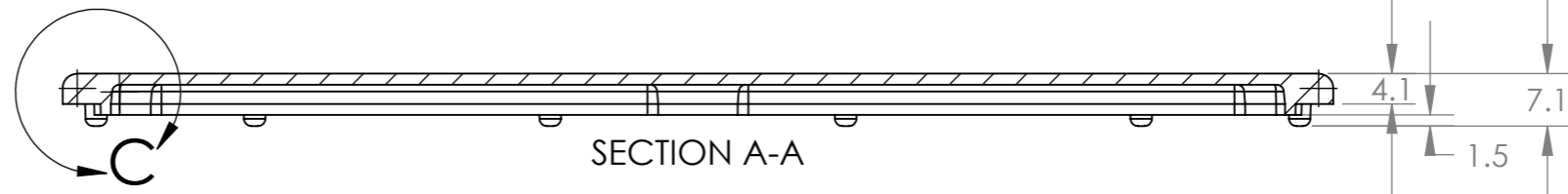
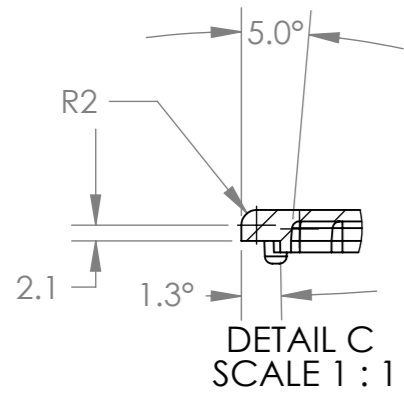
DEM Manufacturing, Deltron Emcon House
Hargreaves Way, Sawcliffe Ind. Park,
Scunthorpe, North Lincolnshire, DN15 8RF, UK

UNLESS OTHERWISE SPECIFIED:
DIMENSIONS ARE IN MILLIMETRES
LINEAR TOLERANCE:
NO DECIMAL PLACES ± 0.5 mm
1 DECIMAL PLACE ± 0.25 mm
2 DECIMAL PLACES ± 0.125 mm
ANGULAR TOLERANCE: $\pm 1^\circ$

FINISH .
DEBURR AND BREAK SHARP EDGES
DRAWN BY B.SILLENCE
APPROVED BY B.SILLENCE
THIRD ANGLE PROJECTION
IF IN DOUBT ASK DO NOT SCALE DRAWING
MATERIAL DieCast Aluminium Alloy

SCALE 1:2
A3

TITLE **PROCUREMENT SPECIFICATION FOR 'E' SIZE DIECAST BOX**
DRAWING NO. **E BOX**
ISSUE **01**
Release



Tel No.+44(0)1724273200 Website www.dem-uk.com



PROPRIETARY AND CONFIDENTIAL
THE INFORMATION CONTAINED IN THIS DRAWING IS THE SOLE PROPERTY OF ALPHA 3 MANUFACTURING.
ANY REPRODUCTION IN PART OR AS A WHOLE WITHOUT THE WRITTEN PERMISSION OF ALPHA 3 MANUFACTURING IS PROHIBITED.



DEM Manufacturing, Deltron Emcon House
Hargreaves Way, Sawcliffe Ind. Park,
Scunthorpe, North Lincolnshire, DN15 8RF, UK

UNLESS OTHERWISE SPECIFIED:
DIMENSIONS ARE IN MILLIMETRES
LINEAR TOLERANCE:
NO DECIMAL PLACES $\pm 0.5\text{mm}$
1 DECIMAL PLACE $\pm 0.25\text{mm}$
2 DECIMAL PLACES $\pm 0.125\text{mm}$
ANGULAR TOLERANCE: $\pm 1^\circ$

FINISH	DEBURR AND BREAK SHARP EDGES
IF IN DOUBT ASK DO NOT SCALE DRAWING	
MATERIAL	DieCast Aluminium Alloy

DRAWN BY	B.SILLENC
APPROVED BY	B.SILLENC
THIRD ANGLE PROJECTION	

SHEET 1 OF 1
SCALE 1:1
A3

TITLE		PROCUREMENT SPECIFICATION FOR E/F SIZE BOX LID
DRAWING NO.	E / F LID	ISSUE 04
		Release