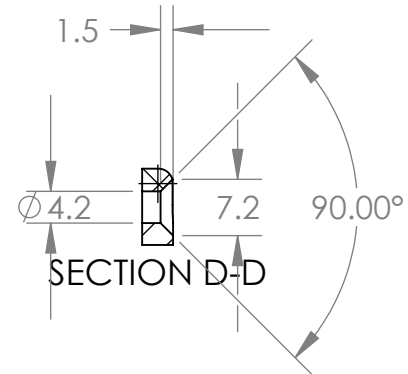
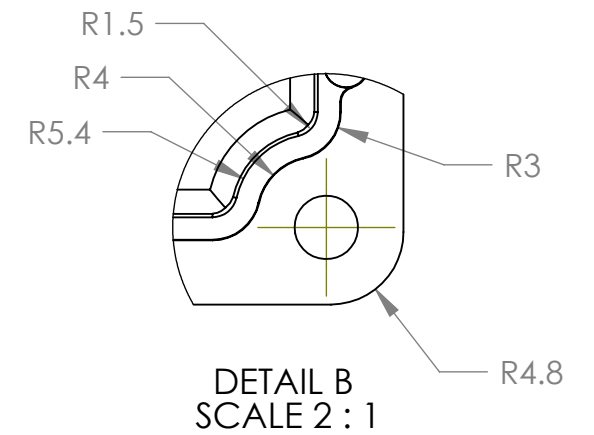
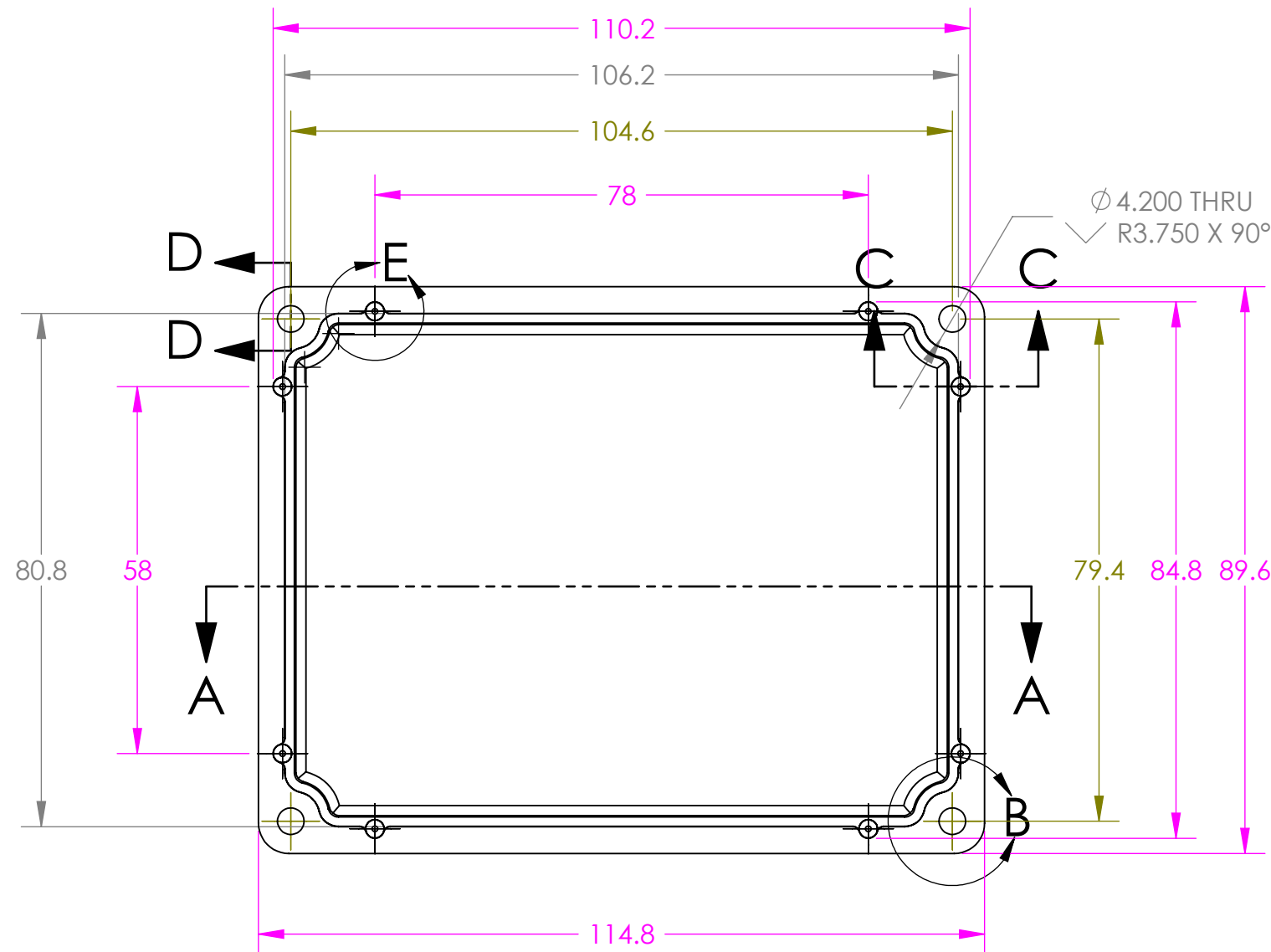
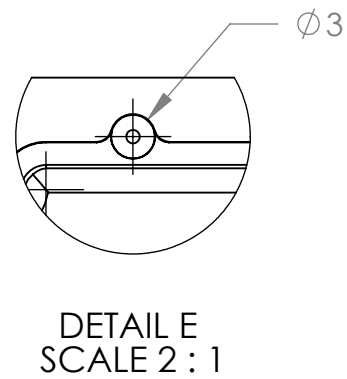
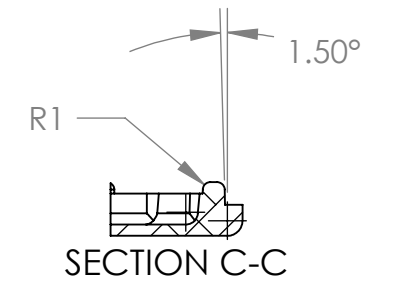
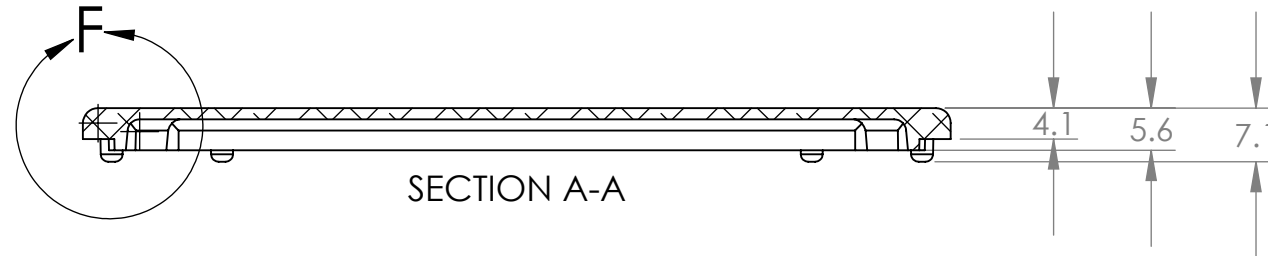
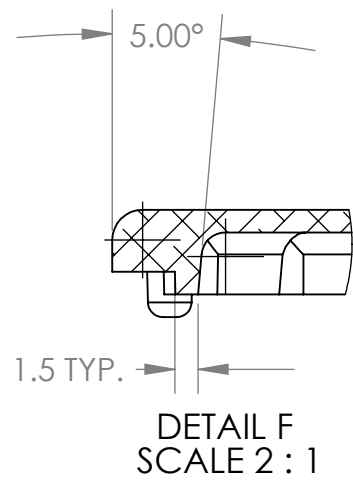


| SIZE | GENERAL PURPOSE | | |
|---------------|-----------------|---------------|--------------|
| | PLAIN | POWDER COATED | NYLON COATED |
| C | 459-0030 | 461-0030 | 462-0030 |
| SEALED | | | |
| C | 460-0030 | 453-0030 | 454-0030 |



Tel No. +44(0)1724273200 Website www.dem-uk.com



PROPRIETARY AND CONFIDENTIAL
THE INFORMATION CONTAINED IN THIS DRAWING IS THE SOLE PROPERTY OF ALPHA 3 MANUFACTURING.
ANY REPRODUCTION IN PART OR AS A WHOLE WITHOUT THE WRITTEN PERMISSION OF ALPHA 3 MANUFACTURING IS PROHIBITED.

DEM Manufacturing, Deltron Emcon House
Hargreaves Way, Sawcliffe Ind. Park,
Scunthorpe, North Lincolnshire, DN15 8RF, UK

UNLESS OTHERWISE SPECIFIED:
DIMENSIONS ARE IN MILLIMETRES
LINEAR TOLERANCE:
NO DECIMAL PLACES ±0.5mm
1 DECIMAL PLACE ±0.25mm
2 DECIMAL PLACES ±0.125mm
ANGULAR TOLERANCE: ±1°

| | | |
|---|-------------------------|------------------------------|
| FINISH | · | DEBURR AND BREAK SHARP EDGES |
| MATERIAL | DieCast Aluminium Alloy | |
| IF IN DOUBT ASK DO NOT SCALE DRAWING | | |

| | |
|------------------------|-----------|
| DRAWN BY | B.SILLENC |
| APPROVED BY | B.SILLENC |
| THIRD ANGLE PROJECTION | |
| | |

| |
|--------------|
| SHEET 1 OF 1 |
| SCALE 1:1 |
| A3 |

| | | |
|-------------|-------|--|
| TITLE | | PROCUREMENT SPECIFICATION FOR 'C' SIZE BOX LID |
| DRAWING NO. | C LID | ISSUE 07 |
| | | Release |