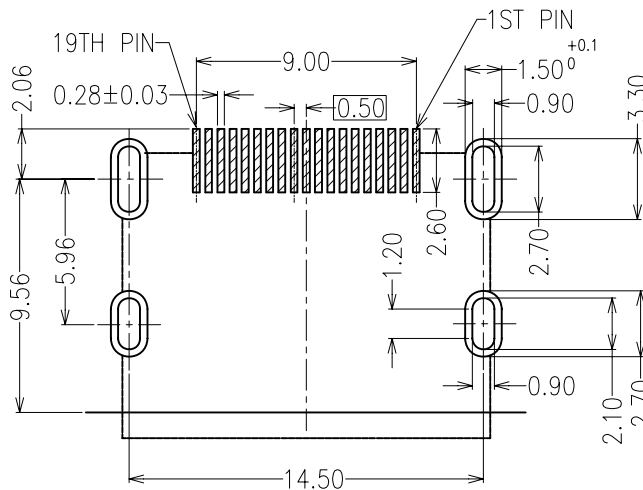
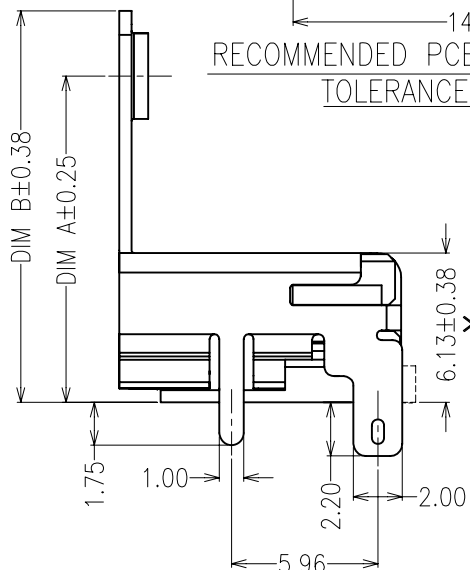


NOTES: ALL DIMENSIONS AND NOTES MARKED * ARE CRITICAL AND MUST BE CHECKED IN ACCORDANCE WITH QUALITY DOC. Q1-02A



RECOMMENDED PCB LAYOUT (T=1.6 ± 0.15)
TOLERANCE ± 0.05 mm



SPECIFICATIONS:

MATERIAL:-

HOUSING: HIGH TEMP. THERMOPLASTIC, UL94V-0, COLOR: BLACK

TERMINAL: COPPER ALLOY, T=0.2mm

SHELL: COPPER ALLOY, T=0.5mm

FINISH:-

TERMINAL: SELECTIVE Au IN CONTACT Sn IN SOLDER TAIL AREA

SHELL: WELDABLE NI PLATED

TYPE	DIM A	DIM B	DIM C	DIM D
A (W/O POLE)	11.28	14.25	11.60	11.60
B (W/O POLE)	13.38	16.05	12.15	12.00
A (W/ POLE)	11.28	14.25	12.15	12.00
B (W/ POLE)	13.38	16.05	11.60	11.60

ORDER CODE
M712-32 X 1942R

- 0: NORMAL TYPE A W/O PLASTIC POLE
- 1: NORMAL TYPE B W/O PLASTIC POLE
- 2: HOOK TYPE A W/O PLASTIC POLE
- 3: HOOK TYPE B W/O PLASTIC POLE
- 4: NORMAL TYPE A WITH PLASTIC POLE
- 5: NORMAL TYPE B WITH PLASTIC POLE
- 6: HOOK TYPE A WITH PLASTIC POLE
- 7: HOOK TYPE B WITH PLASTIC POLE

Allan	2	30.06.09	A212
Allan	1	27.09.06	-
NAME	ISS.	DATE	C/NOTE
APPROVED: <i>Pran</i>			
CHECKED:			
DRAWN: Allan			
CUSTOMER REF.:			
ASSEMBLY DRG:			

HARWIN

HARWIN USA
TEL: 603 893 5376
FAX: 603 893 5396
mis@harwin.com

HARWIN Europe (UK)
TEL: 023 9231 4545
FAX: 023 9231 4590
mis@harwin.co.uk

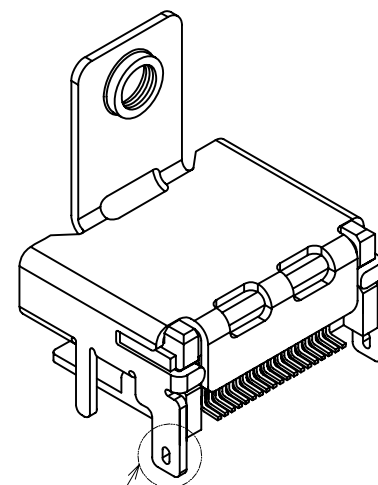
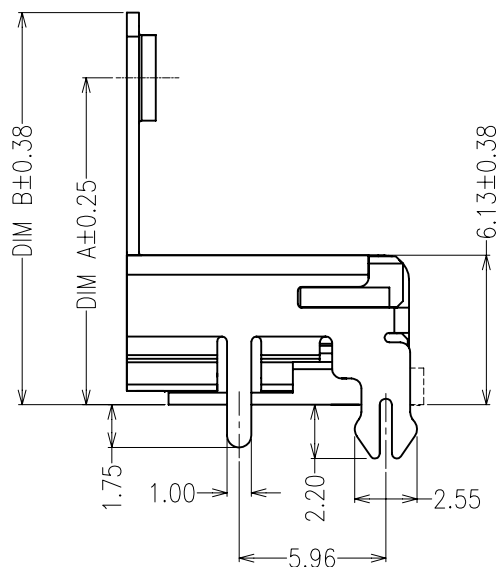
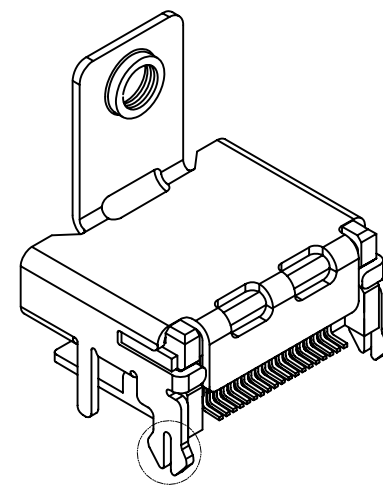
HARWIN Asia
TEL: +65 6 779 4909
FAX: +65 6 779 3868
mis@harwin.com.sg

THIS DRAWING AND ANY INFORMATION OR DESCRIPTIVE MATTER SET OUT HEREON ARE CONFIDENTIAL AND COPYRIGHT PROPERTY OF THE HARWIN GROUP AND MUST NOT BE DISCLOSED, LOANED, COPIED OR USED FOR MANUFACTURING, TENDERING OR FOR ANY OTHER PURPOSE WITHOUT THEIR WRITTEN PERMISSION.

TOLERANCES
X.X = ± 0.25mm
UNLESS OTHERWISE SPECIFIED
ANGLES = ± 3°
UNLESS STATED

MATERIAL: SEE NOTES
FINISH: SEE NOTES
S/AREA: mm²

TITLE: HDMI CONNECTOR R/A SMT WITH SCREW HOLE
DRAWING NUMBER: M712-32 X 1942R

OPTION NORMAL TYPEHOOK TYPE

ORDER CODE

M712-32 X 1942R

- 0: NORMAL TYPE A W/O PLASTIC POLE
- 1: NORMAL TYPE B W/O PLASTIC POLE
- 2: HOOK TYPE A W/O PLASTIC POLE
- 3: HOOK TYPE B W/O PLASTIC POLE
- 4: NORMAL TYPE A WITH PLASTIC POLE
- 5: NORMAL TYPE B WITH PLASTIC POLE
- 6: HOOK TYPE A WITH PLASTIC POLE
- 7: HOOK TYPE B WITH PLASTIC POLE

Allan	2	30.06.09	A212
Allan	1	27.09.06	-
NAME	ISS.	DATE	C/NOTE

APPROVED:

CHECKED:

DRAWN: Allan

CUSTOMER REF.:

ASSEMBLY DRG:

HARWIN

HARWIN USA
TEL: 603 893 5376
FAX: 603 893 5396
mis@harwin.com

HARWIN Europe (UK)
TEL: 023 9231 4545
FAX: 023 9231 4590
mis@harwin.co.uk

HARWIN Asia
TEL: +65 6 779 4909
FAX: +65 6 779 3868
mis@harwin.com.sg

THIS DRAWING AND ANY
INFORMATION OR DESCRIPTIVE
MATTER SET OUT HEREON ARE
CONFIDENTIAL AND COPYRIGHT
PROPERTY OF THE HARWIN
GROUP AND MUST NOT BE
DISCLOSED, LOANED, COPIED
OR USED FOR MANUFACTURING,
TENDERING OR FOR ANY
OTHER PURPOSE WITHOUT
THEIR WRITTEN PERMISSION.

TOLERANCES
X.X = ±0.25mm
UNLESS OTHERWISE
SPECIFIED

ANGLES = ±3°
UNLESS STATED

MATERIAL:
SEE NOTES

FINISH: SEE NOTES

S/AREA: mm²

TITLE:
HDMI CONNECTOR R/A SMT
WITH SCREW HOLE

DRAWING NUMBER:
M712-32 X 1942R

SHT
2
OF
2