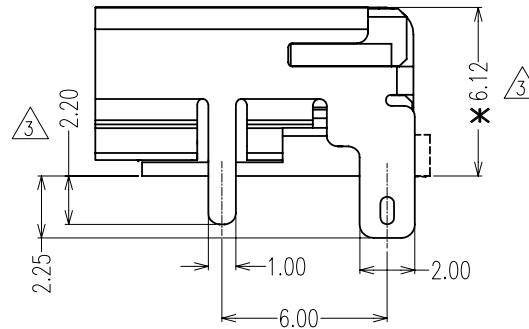
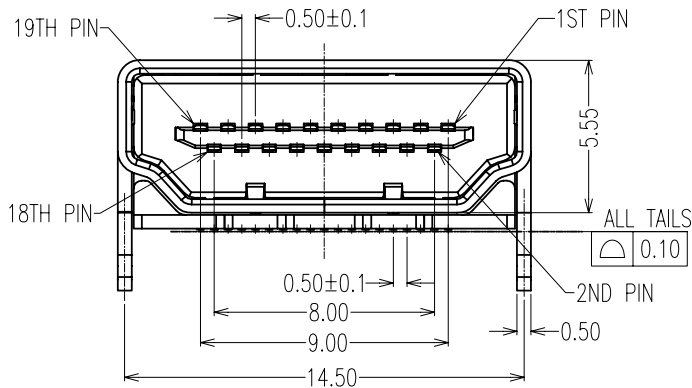
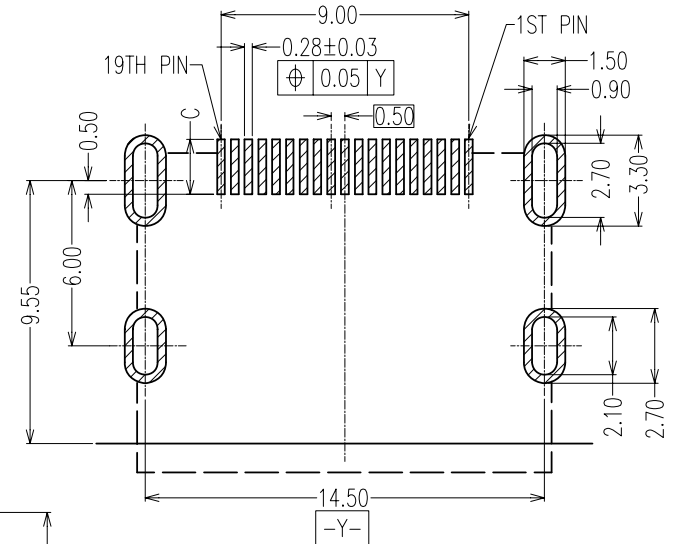


SPECIFICATIONS:  
 MATERIAL:-  
 HOUSING: HIGH TEMP. THERMOPLASTIC,  
 UL94V-0, COLOR: BLACK  
 TERMINAL: COPPER ALLOY, T=0.2mm  
 SHELL: COPPER ALLOY, T=0.5mm  
 FINISH:-  
 TERMINAL: SELECTIVE Au IN CONTACT  
 Sn IN SOLDER TAIL AREA  
 SHELL: WELDABLE NI PLATED



RECOMMENDED PCB LAYOUT (T=1.6±0.15)

TYPE	DIM B	DIM C	DIM D
A	11.60	2.00	11.60
B	12.15	2.60	12.00

Allan	3	05.07.10	A301
Allan	2	03.07.08	A140
Allan	1	27.09.06	-
NAME	ISS.	DATE	C/NOTE

NOTES: ALL DIMENSIONS AND NOTES  
 MARKED ✱ ARE CRITICAL AND  
 MUST BE CHECKED IN ACCORDANCE  
 WITH QUALITY DOC. QI-02A

ORDER CODE  
 M712-31 X 1942R

- 0: NORMAL TYPE A W/O PLASTIC POLE
- 1: NORMAL TYPE B WITH PLASTIC POLE
- 2: HOOK TYPE A W/O PLASTIC POLE
- 3: HOOK TYPE B WITH PLASTIC POLE

APPROVED:	<i>P. Allan</i>
CHECKED:	
DRAWN:	Allan
CUSTOMER REF.:	
ASSEMBLY DRG:	

**HARWIN**

HARWIN USA  
 TEL: 603 893 5376  
 FAX: 603 893 5396  
 mis@harwin.com

HARWIN Europe (UK)  
 TEL: 023 9231 4545  
 FAX: 023 9231 4590  
 mis@harwin.co.uk

HARWIN Asia  
 TEL: +65 6 779 4909  
 FAX: +65 6 779 3868  
 mis@harwin.com.sg

THIS DRAWING AND ANY  
 INFORMATION OR DESCRIPTIVE  
 MATTER SET OUT HEREON ARE  
 CONFIDENTIAL AND COPYRIGHT  
 PROPERTY OF THE HARWIN  
 GROUP AND MUST NOT BE  
 DISCLOSED, LOANED, COPIED  
 OR USED FOR MANUFACTURING,  
 TENDERING OR FOR ANY  
 OTHER PURPOSE WITHOUT  
 THEIR WRITTEN PERMISSION.

TOLERANCES  
 ⚠ ±0.25mm  
 UNLESS OTHERWISE  
 SPECIFIED

ANGLES = ±3°  
 UNLESS STATED

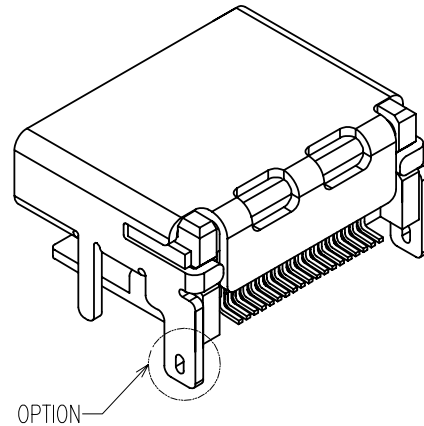
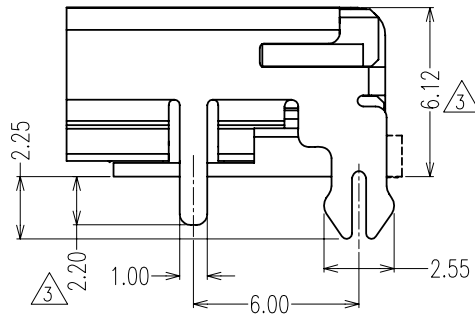
MATERIAL:  
 SEE NOTES

FINISH:  
 SEE NOTES

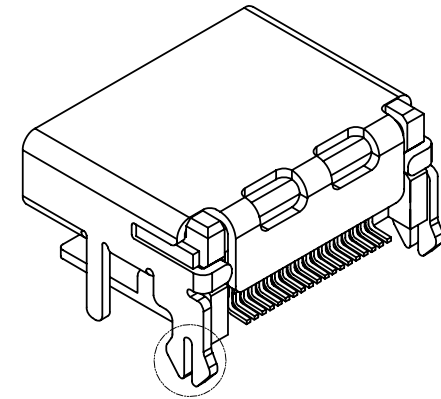
S/AREA:  
 mm<sup>2</sup>

TITLE:  
 HDMI CONNECTOR R/A SMT  
 W/O SCREW HOLE

DRAWING NUMBER:  
 M712-31 X 1942R



NORMAL TYPE



HOOK TYPE

NOTES: ALL DIMENSIONS AND NOTES  
MARKED \* ARE CRITICAL AND  
MUST BE CHECKED IN ACCORDANCE  
WITH QUALITY DOC. Q1-02A

## ORDER CODE

M712-31 X 1942R

- 0: NORMAL TYPE A - W/O PLASTIC POLE
- 1: NORMAL TYPE B - WITH PLASTIC POLE
- 2: HOOK TYPE A - W/O PLASTIC POLE
- 3: HOOK TYPE B - WITH PLASTIC POLE

Allan	3	05.07.10	A301
Allan	2	03.07.08	A140
Allan	1	27.09.06	-
NAME	ISS.	DATE	C/NOTE

APPROVED:	<i>[Signature]</i>
CHECKED:	<i>[Signature]</i>
DRAWN:	Allan
CUSTOMER REF.:	
ASSEMBLY DRG:	

# HARWIN

HARWIN USA  
TEL: 603 893 5376  
FAX: 603 893 5396  
mis@harwin.com

HARWIN Europe (UK)  
TEL: 023 9231 4545  
FAX: 023 9231 4590  
mis@harwin.co.uk

HARWIN Asia  
TEL: +65 6 779 4909  
FAX: +65 6 779 3868  
mis@harwin.com.sg

THIS DRAWING AND ANY  
INFORMATION OR DESCRIPTIVE  
MATTER SET OUT HEREON ARE  
CONFIDENTIAL AND COPYRIGHT  
PROPERTY OF THE HARWIN  
GROUP AND MUST NOT BE  
DISCLOSED, LOANED, COPIED  
OR USED FOR MANUFACTURING,  
TENDERING OR FOR ANY  
OTHER PURPOSE WITHOUT  
THEIR WRITTEN PERMISSION.

TOLERANCES  
△ ±0.25mm  
UNLESS OTHERWISE  
SPECIFIED

ANGLES = ±3°  
UNLESS STATED

MATERIAL:  
SEE NOTES

FINISH: SEE NOTES

S/AREA: mm<sup>2</sup>

TITLE:  
HDMI CONNECTOR R/A SMT  
W/O SCREW HOLE

DRAWING NUMBER:  
M712-31 X 1942R

SHT  
2  
OF  
2