

SPECIFICATIONS:

MATERIALS:-

HOUSING : Hi-TEMP. PLASTIC (UL 94V-0). BLACK.

TERMINAL : COPPER ALLOY

(t=0.20mm, SIGNAL TERMINAL)

(t=0.15mm, BATTERY TERMINAL)

SHELL : STAINLESS STEEL, (T=0.30mm.)

FINISH:-

TERMINAL: GOLD PLATED OVERALL

SHELL: NICKEL PLATED

ELECTRICAL:-

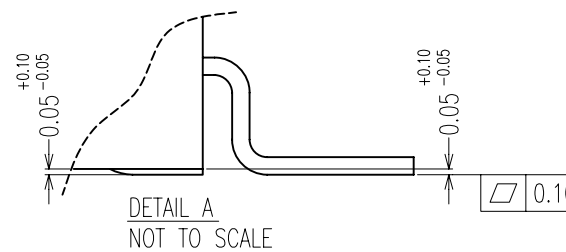
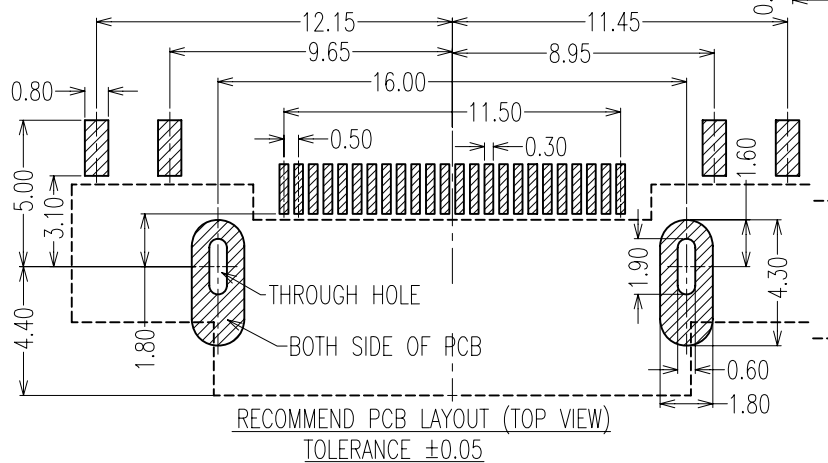
1. CURRENT RATING : 0.5 A MAX.

2. DIELECTRIC WITHSTANDING VOLTAGE : 250V AC R.M.S. FOR ONE MINUTE.

3. INSULATION RESISTANCE : 1000 MΩ MIN. AT 250V DC.

4. OPERATING TEMPERATURE : -40°C TO +85°C.

NOTES: ALL DIMENSIONS AND NOTES MARKED * ARE CRITICAL AND MUST BE CHECKED IN ACCORDANCE WITH QUALITY DOC. Q1-02A



TOLERANCES DIMENSION

X. = ±1mm
 X.X = ±0.38 (0.015)
 X.XX = ±0.25 (0.010)
 X.XXX = ±0.15 (0.006)

ANGLE ±3°

Allan	1	01.08.06	-
NAME	ISS.	DATE	C/NOTE
APPROVED: <i>Boon</i>			
CHECKED:			
DRAWN: Allan			
CUSTOMER REF.:			
ASSEMBLY DRG:			

HARWIN

THIS DRAWING AND ANY INFORMATION OR DESCRIPTIVE MATTER SET OUT HEREON ARE CONFIDENTIAL AND COPYRIGHT PROPERTY OF THE HARWIN GROUP AND MUST NOT BE DISCLOSED, LOANED, COPIED OR USED FOR MANUFACTURING, TENDERING OR FOR ANY OTHER PURPOSE WITHOUT THEIR WRITTEN PERMISSION.

TOLERANCES
 X. = ±1mm
 X.X = ±0.25mm
 X.XX = ±0.10mm
 X.XXX = ±0.01mm
 ANGLES = ±5°
 UNLESS STATED

MATERIAL: SEE NOTES
 FINISH: SEE NOTES
 S/AREA: mm²

TITLE: 24 PIN CELLULAR CONNECTOR
 DRAWING NUMBER: M710-9362405

HARWIN USA
 TEL: 603 893 5376
 FAX: 603 893 5396
 mis@harwin.com

HARWIN Europe (UK)
 TEL: 023 9231 4545
 FAX: 023 9231 4590
 mis@harwin.co.uk

HARWIN Asia
 TEL: +65 6 779 4909
 FAX: +65 6 779 3868
 mis@harwin.com.sg