

SPECIFICATIONS:

MATERIAL:-

△ HOUSING: PBT, UL94V-0

TERMINAL: PHOSPHOR BRONZE

FINISH:-

TERMINAL: SILVER PLATED ALL OVER

ELECTRICAL:-

CURRENT RATING: 1 AMP. MAX.

DIELECTRIC WITHSTANDING VOLTAGE: 500V AC RMS  
FOR 60 SECS

CONTACT RESISTANCE: 30 mΩ MAX.

INSULATION RESISTANCE: 100 MΩ MIN AT 500V DC

ENVIRONMENTAL:-

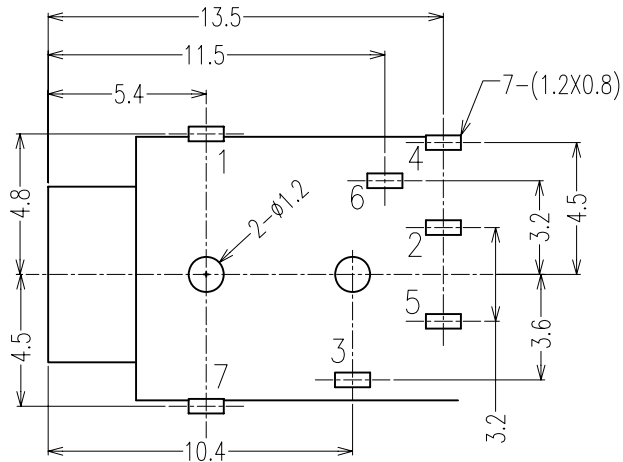
OPERATING TEMPERATURE: -25°C ~ +70°C △

NOTES: ALL DIMENSIONS AND NOTES

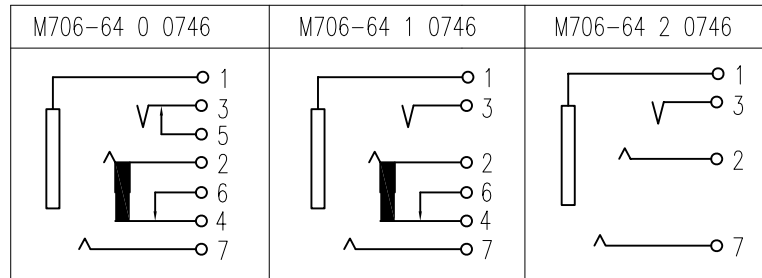
MARKED \* ARE CRITICAL AND

MUST BE CHECKED IN ACCORDANCE

WITH QUALITY DOC. Q1-02A



PCB LAYOUT (TOP VIEW)



Allan	2	05.10.09	A241
Allan	1	01.08.06	-
NAME	ISS.	DATE	C/NOTE

APPROVED: \_\_\_\_\_  
 CHECKED: *Paul*  
 DRAWN: Allan

ORDER CODE  
**M706-64 X 0746**  
 REFER SCHEMATIC

CUSTOMER REF.:  
 ASSEMBLY DRG:

TOLERANCES  
 X.X = ±0.20mm  
 X.XX = ±0.10mm



HARWIN USA  
 TEL: 603 893 5376  
 FAX: 603 893 5396  
 mis@harwin.com

HARWIN Europe (UK)  
 TEL: 023 9231 4545  
 FAX: 023 9231 4590  
 mis@harwin.co.uk

HARWIN Asia  
 TEL: +65 6 779 4909  
 FAX: +65 6 779 3868  
 mis@harwin.com.sg

THIS DRAWING AND ANY INFORMATION OR DESCRIPTIVE MATTER SET OUT HEREON ARE CONFIDENTIAL AND COPYRIGHT PROPERTY OF THE HARWIN GROUP AND MUST NOT BE DISCLOSED, LOANED, COPIED OR USED FOR MANUFACTURING, TENDERING OR FOR ANY OTHER PURPOSE WITHOUT THEIR WRITTEN PERMISSION.

TOLERANCES  
 X. = ±1mm  
 X.X = ±0.25mm  
 X.XX = ±0.10mm  
 X.XXX = ±0.01mm  
 ANGLES = ±5°  
 UNLESS STATED

MATERIAL: SEE NOTES  
 FINISH: SEE NOTES  
 S/AREA: mm<sup>2</sup>

TITLE:  
 3.5mm EARPHONE JACK, PCB MOUNT  
 PLASTIC HOUSING WITHOUT BUSHING

DRAWING NUMBER:  
**M706-64 X 0746**