

NOTE: FOR PARTS WITH ✕ PLS CHECK WITH TECHNICAL SALES FOR AVAILABILITY

DIMS	A	B	C
TOTAL NO. OF WAYS			
✕ 16	2.80	4.70	5.6
✕ 18	3.20	5.10	6.0
✕ 20	3.60	5.50	6.4
24	4.40	6.30	7.2
✕ 26	4.80	6.70	7.6
✕ 30	5.60	7.50	8.4
34	6.40	8.30	9.2
40	7.60	9.50	10.4
50	9.60	11.50	12.4
54	10.40	12.30	13.2
✕ 60	11.60	13.50	14.4

RECOMMENDED PCB PATTERN

TOLERANCES
X. = ±0.20mm
X.X = ±0.15mm
X.XX = ±0.10mm

SPECIFICATIONS:

MATERIAL:-

BASE: PA9T, COLOR: BLACK
TERMINAL: BERYLLIUM COPPER

FINISH:-

GOLD OVER NICKEL UNDERPLATE

ELECTRICAL:-

CURRENT RATING: AC 0.5 A, DC 0.5A/CONTACT

WORKING VOLTAGE: AC 50V, DC 50V/CONTACT

CONTACT RESISTANCE: 20 Ωm MAX.

INSULATION RESISTANCE: 100 MΩ MIN.

△ MECHANICAL:-

INSERTION FORCE: [0.1 X No. Of Pins] Kgf MAX.

WITHDRAWAL FORCE: [0.005 X No. Of Pins] Kgf MIN.

CONTACT RETENTION FORCE: 1.50N MIN.

ENVIRONMENTAL:-

OPERATING TEMPERATURE: -25°C TO +85°C

APPEARANCE: NO RUST, CONTAMINATION, DAMAGE NOR DEFORMATION AFFECTING FUNCTION

NOTES: ALL DIMENSIONS AND NOTES

MARKED ✕ ARE CRITICAL AND MUST BE CHECKED IN ACCORDANCE WITH QUALITY DOC. Q1-02A

Allan	3	03.03.08	A114
Allan	2	14.06.07	A051
Allan	1	26.09.06	-

NAME	ISS.	DATE	C/NOTE
------	------	------	--------

APPROVED: *Ben*

CHECKED:

DRAWN: Allan

ORDER CODE

M403-830 XX 45R

TOTAL NO. OF WAYS

CUSTOMER REF.:

ASSEMBLY DRG:

HARWIN

HARWIN USA
TEL: 603 893 5376
FAX: 603 893 5396
mis@harwin.com

HARWIN Europe (UK)
TEL: 023 9231 4545
FAX: 023 9231 4590
mis@harwin.co.uk

HARWIN Asia
TEL: +65 6 779 4909
FAX: +65 6 779 3868
mis@harwin.com.sg

THIS DRAWING AND ANY INFORMATION OR DESCRIPTIVE MATTER SET OUT HEREON ARE CONFIDENTIAL AND COPYRIGHT PROPERTY OF THE HARWIN GROUP AND MUST NOT BE DISCLOSED, LOANED, COPIED OR USED FOR MANUFACTURING, TENDERING OR FOR ANY OTHER PURPOSE WITHOUT THEIR WRITTEN PERMISSION.

TOLERANCES
X. = ±1mm
X.X = ±0.25mm
X.XX = ±0.10mm
X.XXX = ±0.01mm
ANGLES = ±5°
UNLESS STATED

MATERIAL:

SEE NOTES

FINISH:

SEE NOTES

S/AREA:

mm²

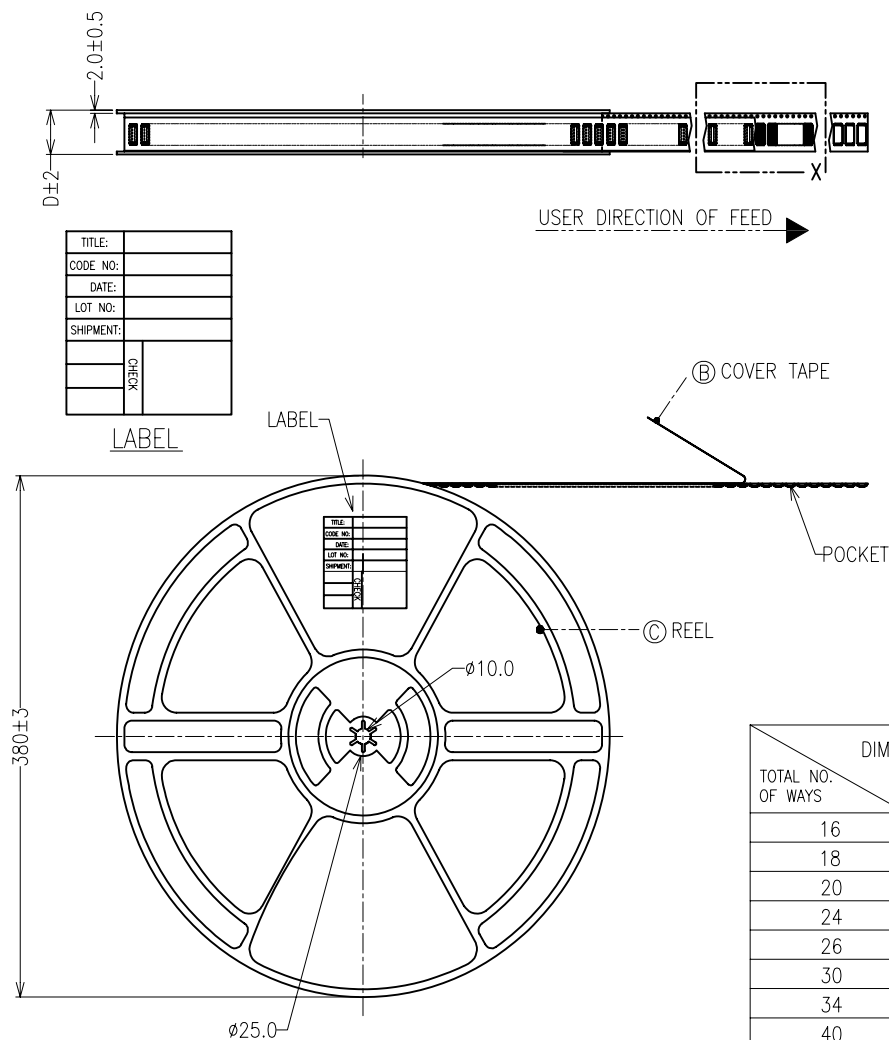
TITLE:

0.4mm PITCH B TO B FEMALE
STACK HT 0.9mm

DRAWING NUMBER:

M403-830 XX 45R

SHT
1
OF
2

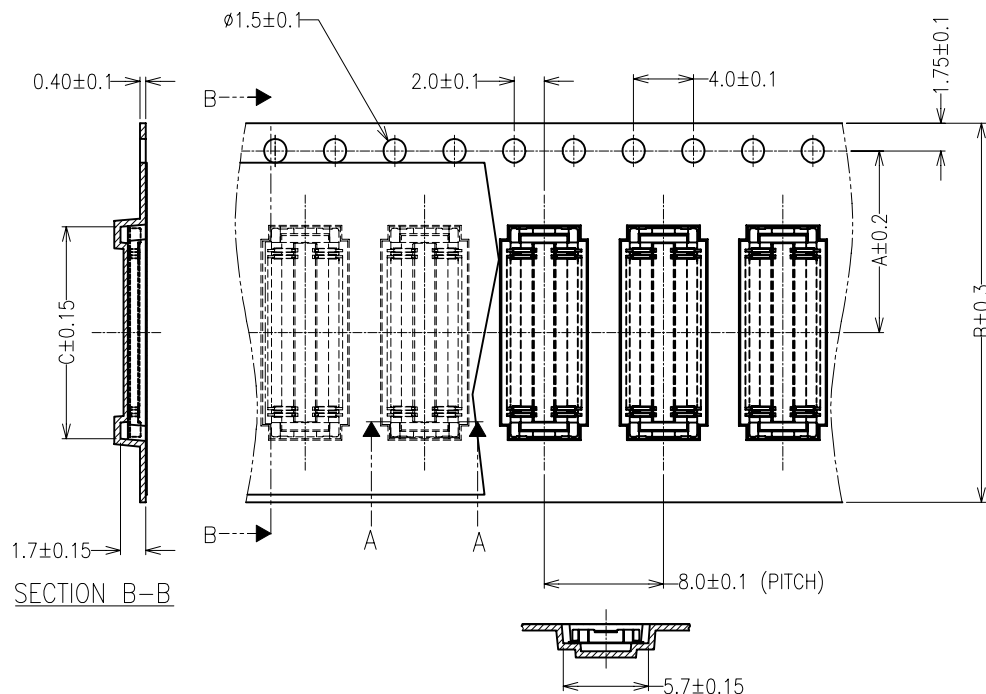


USER DIRECTION OF FEED

COVER TAPE

POCKET

REEL



SECTION B-B

SECTION A-A

TOTAL NO. OF WAYS	DIMS			
	A	B	C	D Δ
16	7.5	16	5.8	20
18	7.5	16	6.2	20
20	7.5	16	6.6	20
24	11.5	24	7.4	28
26	11.5	24	7.8	28
30	11.5	24	8.6	28
34	11.5	24	9.4	28
40	11.5	24	10.6	28
50	11.5	24	12.6	28
54	11.5	24	13.4	28
60	11.5	24	14.6	28

SPECIFICATIONS:

MATERIAL:-

(A)-POCKET: PS

(B)-COVER TAPE: PET

(C)-REEL: HIPS

Allan	3	03.03.08	A114
Allan	2	14.06.07	A051
Allan	1	26.09.06	-

NAME	ISS.	DATE	C/NOTE

APPROVED: *Alan*CHECKED: *Alan*

DRAWN: Allan

ORDER CODE

M403-830 XX 45R

TOTAL NO. OF WAYS

CUSTOMER REF.:

ASSEMBLY DRG:

HARWIN

HARWIN USA
TEL: 603 893 5376
FAX: 603 893 5396
mis@harwin.com

HARWIN Europe (UK)
TEL: 023 9231 4545
FAX: 023 9231 4590
mis@harwin.co.uk

HARWIN Asia
TEL: +65 6 779 4909
FAX: +65 6 779 3868
mis@harwin.com.sg

THIS DRAWING AND ANY INFORMATION OR DESCRIPTIVE MATTER SET OUT HEREON ARE CONFIDENTIAL AND COPYRIGHT PROPERTY OF THE HARWIN GROUP AND MUST NOT BE DISCLOSED, LOANED, COPIED OR USED FOR MANUFACTURING, TENDERING OR FOR ANY OTHER PURPOSE WITHOUT THEIR WRITTEN PERMISSION.

TOLERANCES
X. = ±1mm
X.X = ±0.25mm
X.XX = ±0.10mm
X.XXX = ±0.01mm
ANGLES = ±5°
UNLESS STATED

MATERIAL:

SEE NOTES

FINISH:

SEE NOTES

S/AREA:

mm²

TITLE:

0.4mm PITCH B TO B FEMALE
STACK HT 0.9mm

DRAWING NUMBER:

M403-830 XX 45R

SHT
2
OF 2