

Customer Information Sheet

DRAWING No.: M22-714XXXX

IF IN DOUBT - ASK

©

NOT TO SCALE

THIRD ANGLE PROJECTION

ALL DIMENSIONS IN mm

NOTES:
1. RECOMMENDED PCB HOLE SIZE = $\varnothing 0.80\text{mm}$.

ORDER CODE:

M22-714XXXX

No. OF WAYS PER ROW:

FINISH:

42 = SELECTIVE GOLD +
100% TIN (MATTE FINISH)

SPECIFICATION:

MATERIAL:

MOULDING = LCP 6T UL94V-0, BLACK

CONTACTS = PHOSPHOR BRONZE

FINISH (OVER NICKEL):

42 = 0.3 μ GOLD ON CONTACT AREA,

5.0 μ 100% TIN ON TAILS (MATTE FINISH)

MECHANICAL:

INSERTION FORCE = 2N MAX

WITHDRAWAL FORCE = 0.2N MIN

DURABILITY = 1000 OPERATIONS

ELECTRICAL:

CURRENT RATING = 1A AC/DC

VOLTAGE PROOF = 500V AC MIN

CONTACT RESISTANCE = 20m Ω MAX

INSULATION RESISTANCE = 1000 M Ω MIN

DIELECTRIC WITHSTANDING = 500V AC FOR 1 MIN

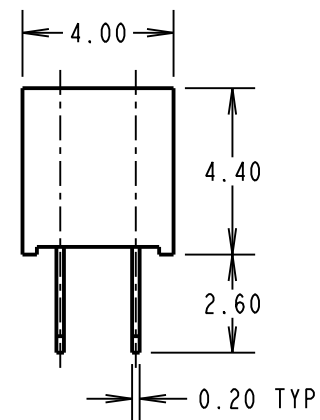
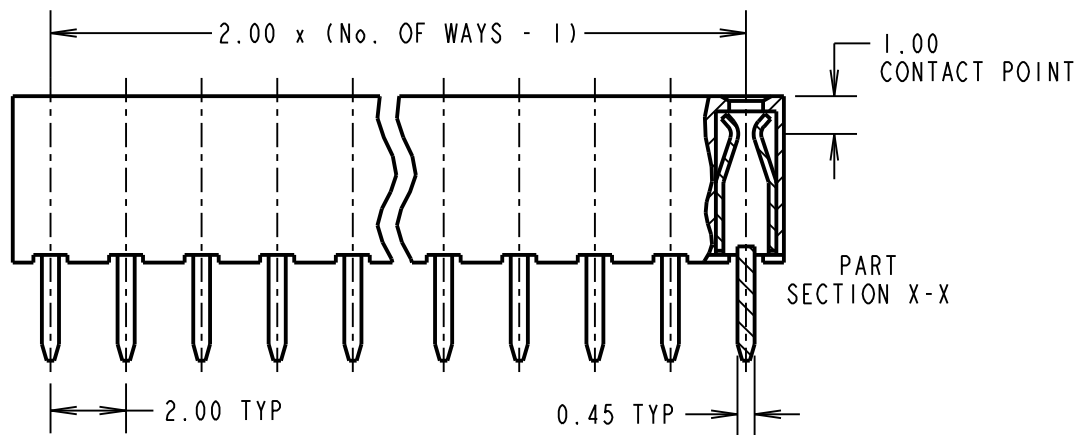
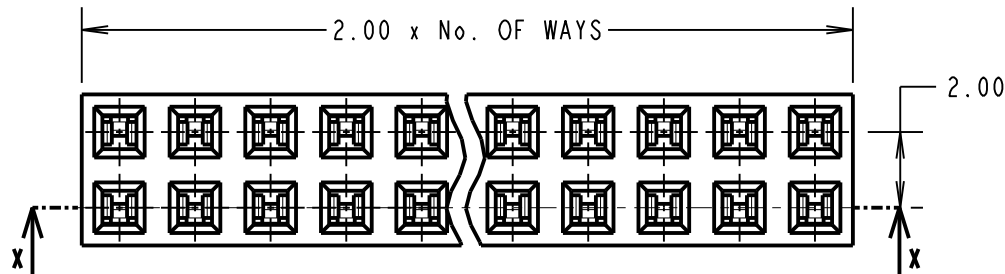
ENVIRONMENTAL:

TEMPERATURE RANGE = -40°C TO +105°C

PACKING:

TUBE

FOR COMPLETE SPECIFICATION SEE COMPONENT
SPECIFICATION C018XX (LATEST ISSUE)



SM	6	20.10.10	10936
NAME	ISS.	DATE	C/NOTE
APPROVED:			
CHECKED:			
DRAWN:		J. EVANS	
CUSTOMER REF.:			
ASSEMBLY DRG:			

HARWIN

HARWIN USA TEL: 603 893 5376 FAX: 603 893 5396 mis@harwin.com	HARWIN Europe (UK) TEL: 023 9231 4545 FAX: 023 9231 4590 mis@harwin.co.uk	HARWIN Asia TEL: +65 6 779 4909 FAX: +65 6 779 3868 mis@harwin.com.sg
------------------------------------------------------------------------	------------------------------------------------------------------------------------	--------------------------------------------------------------------------------

THIS DRAWING AND ANY INFORMATION OR DESCRIPTIVE MATTER SET OUT HEREON ARE CONFIDENTIAL AND COPYRIGHT PROPERTY OF THE HARWIN GROUP AND MUST NOT BE DISCLOSED, LOANED, COPIED OR USED FOR MANUFACTURING, TENDERING OR FOR ANY OTHER PURPOSE WITHOUT THEIR WRITTEN PERMISSION.

TOLERANCES

X. = $\pm 1\text{mm}$
X.X = $\pm 0.25\text{mm}$
X.XX = $\pm 0.10\text{mm}$
X.XXX = $\pm 0.01\text{mm}$

ANGLES = $\pm 5^\circ$

UNLESS STATED

MATERIAL:

SEE ABOVE

FINISH:

SEE ABOVE

S/AREA:

mm²

TITLE:

2.00mm PITCH DIL
VERTICAL SOCKET ASSEMBLY

DRAWING NUMBER:

M22-714XXXX

SHT

3

OF 3