

# Customer Information Sheet

DRAWING No.: M20-949XX45

SHEET 2 OF 2

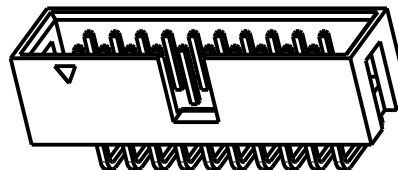
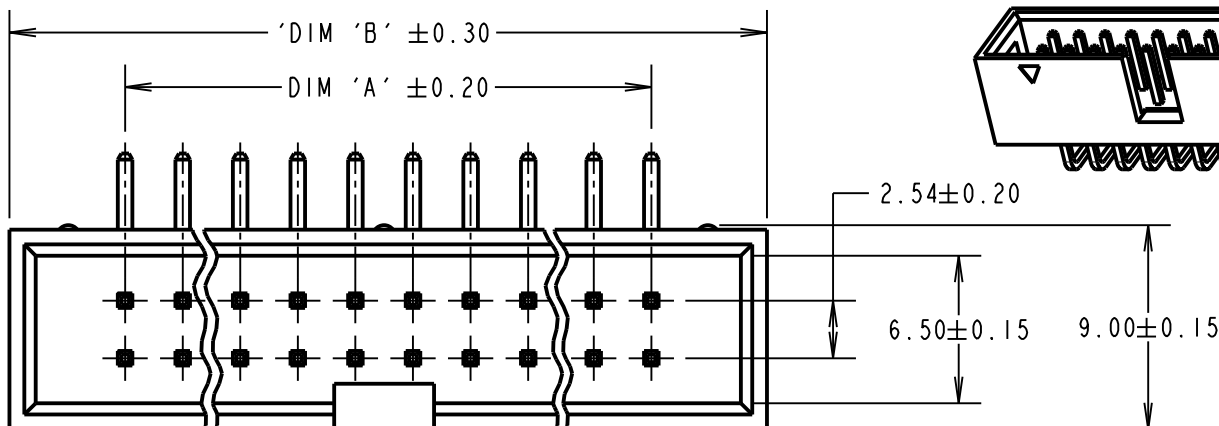
IF IN DOUBT - ASK

©

NOT TO SCALE

THIRD ANGLE PROJECTION

ALL DIMENSIONS IN mm



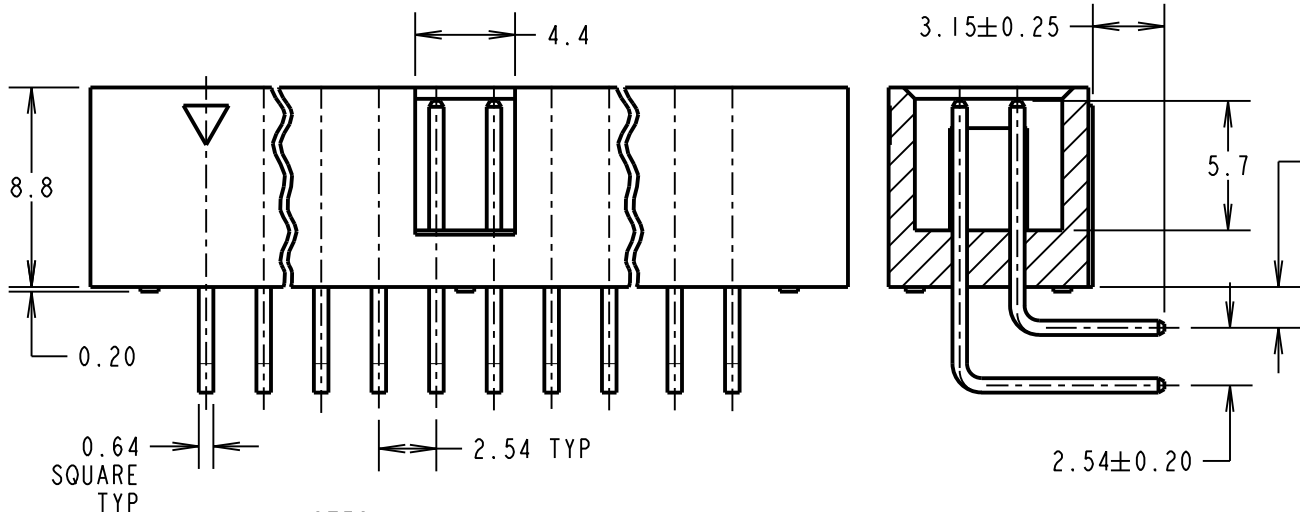
**SPECIFICATIONS:**

**MATERIAL:**  
 MOULDING = NYLON 6T, UL94V-0, BLACK  
 CONTACT = BRASS  
**FINISH:**  
 45 = GOLD FLASH OVER NICKEL  
**ELECTRICAL:**  
 CURRENT RATING = 3A (AT 25°C)  
 INSULATION RESISTANCE:  
 INITIAL = 1000MΩ MIN  
 AFTER CONDITIONING = 10,000MΩ MIN  
 CONTACT RESISTANCE:  
 INITIAL = 20mΩ MAX  
 AFTER CONDITIONING = 25mΩ MAX  
 VOLTAGE PROOF = 750V AC/DC  
**MECHANICAL:**  
 DURABILITY = 300 OPERATIONS  
**ENVIRONMENTAL:**  
 OPERATING TEMP = -40°C TO +105°C

ORDER CODE:

**M20-949XX45**

No. OF WAYS PER ROW ———  
 SEE TABLE  
 FINISH: ———  
 45 = GOLD



PART No.	DIM A	DIM B
M20-9490545	10.16	20.30
M20-9490745	15.24	25.40
M20-9490845	17.78	27.95
M20-9491045	22.85	33.05
M20-9491245	27.94	38.15
M20-9491345	30.48	40.65
M20-9491545	35.56	45.70
M20-9491745	40.64	50.80
M20-9492045	48.26	58.40
M20-9492545	60.96	71.12

SB	7	08.02.12	11638
NAME	ISS.	DATE	C/NOTE
APPROVED:		S.BENNETT	
CHECKED:		S.FLOWER	
DRAWN:		JM BROOKES	
CUSTOMER REF.:			
ASSEMBLY DRG:			

- NOTES:  
 1. RECOMMENDED HOLE SIZE =  $\varnothing 1.02\text{mm}$   
 2. FOR COMPLETE ELECTRICAL/MECHANICAL SPECIFICATION SEE COMPONENT SPEC C001XX (LATEST ISSUE).

**HARWIN**

www.harwin.com  
 technical@harwin.com

THIS DRAWING AND ANY INFORMATION OR DESCRIPTIVE MATTER SET OUT HEREON ARE CONFIDENTIAL AND COPYRIGHT PROPERTY OF THE HARWIN GROUP AND MUST NOT BE DISCLOSED, LOANED, COPIED OR USED FOR MANUFACTURING, TENDERING OR FOR ANY OTHER PURPOSE WITHOUT THEIR WRITTEN PERMISSION.

TOLERANCES  
 X. =  $\pm 1\text{mm}$   
 X.X =  $\pm 0.25\text{mm}$   
 X.XX =  $\pm 0.10\text{mm}$   
 X.XXX =  $\pm 0.01\text{mm}$   
 ANGLES =  $\pm 5^\circ$   
 UNLESS STATED

MATERIAL:

SEE ABOVE

FINISH:

SEE ABOVE

S/AREA:

mm<sup>2</sup>

TITLE:

2.54mm PITCH DIL 90°  
 BOX PIN HEADER

DRAWING NUMBER:

**M20-949XX45**

SHT  
 2 OF 2