

Customer Information Sheet

DRAWING No.: M20-877XXXXP

SHEET 3 OF 3

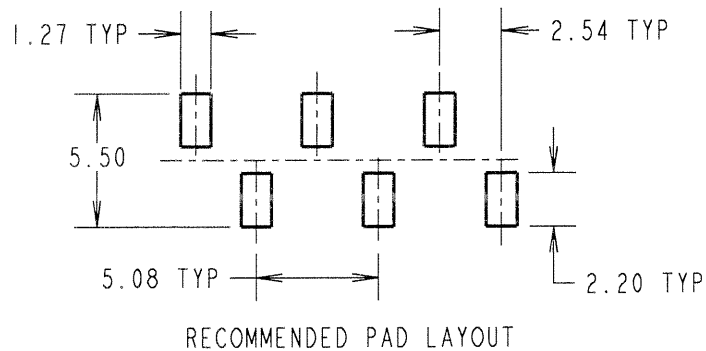
IF IN DOUBT - ASK



NOT TO SCALE

THIRD ANGLE PROJECTION

ALL DIMENSIONS IN mm



- NOTES:
- SEE DRAWING M20-877XXXXR FOR TAPE AND REELED VERSION, M20-877XXXX FOR STANDARD PRODUCT.
 - FOR 4 WAYS AND LESS, CAP LENGTH = 6.00mm.

SPECIFICATION:

MATERIAL:
 MOULDING = NYLON 6T UL94V-0, BLACK
 CONTACT = BRASS

FINISH:
 42 = SELECTIVE GOLD ON CONTACT AREA,
 100% TIN ON TAILS
 46 = 100% TIN

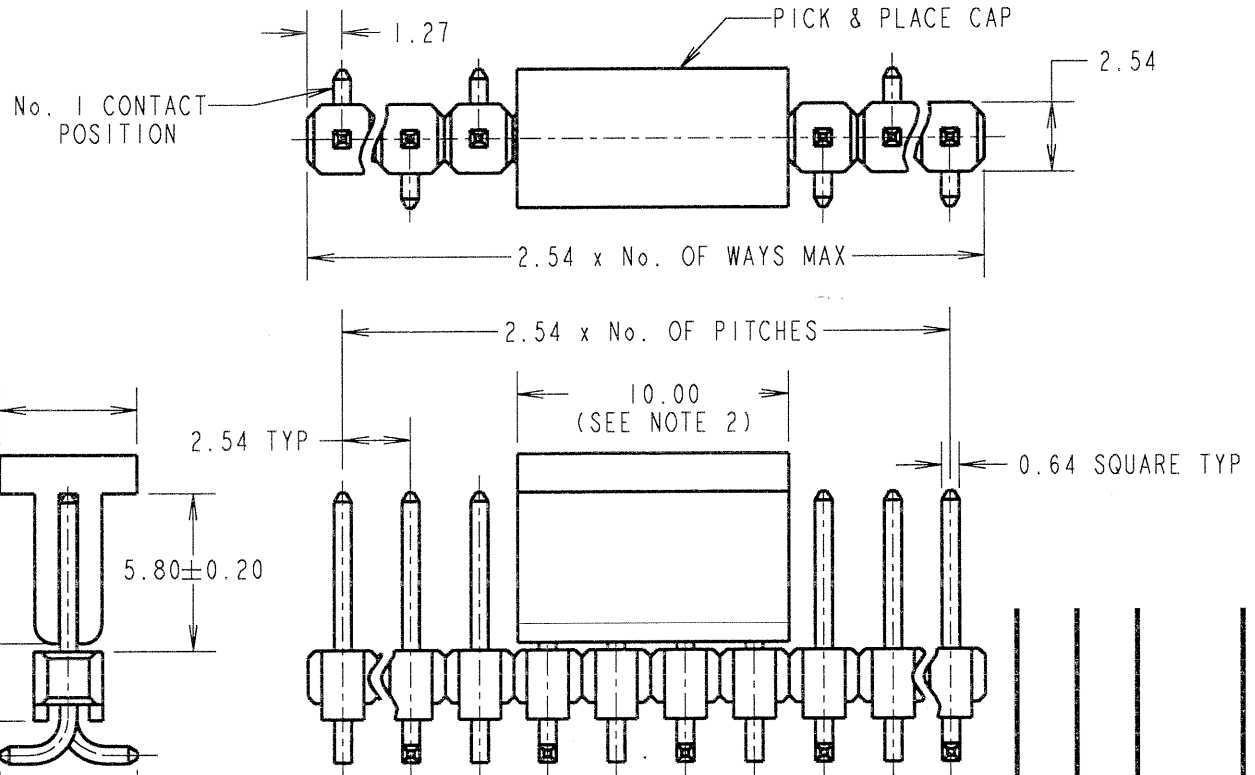
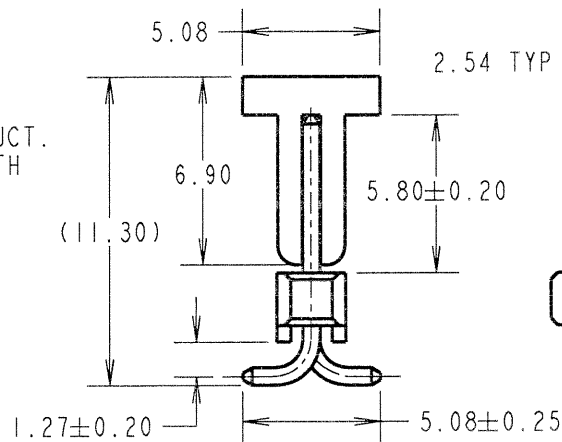
ELECTRICAL:
 CURRENT RATING = 3A MAX
 CONTACT RESISTANCE = 30 mΩ MAX (TIN), 25 mΩ MAX (GOLD)
 INSULATION RESISTANCE = 1,000 MΩ MIN
 DIELECTRIC STRENGTH = 750V AC/DC

MECHANICAL:
 DURABILITY = 50 OPERATIONS (TIN), 300 OPERATIONS (GOLD)

ENVIRONMENTAL:
 TEMPERATURE RANGE = -40°C TO +105°C

PACKING:
 BAG

FOR COMPLETE SPECIFICATION, SEE COMPONENT SPECIFICATION C001XX (LATEST ISSUE)



ORDER CODE:
M20-877XXXXP

No. OF WAYS: _____
 02 TO 36

FINISH: _____
 42 = SELECTIVE GOLD + 100% TIN
 46 = 100% TIN

JMB	6	21.03.06	9105
NAME	ISS.	DATE	C/NOTE
APPROVED: <i>[Signature]</i>			
CHECKED: <i>[Signature]</i>			
DRAWN: J. KEIR			
CUSTOMER REF.:			
ASSEMBLY DRG:			



THIS DRAWING AND ANY INFORMATION OR DESCRIPTIVE MATTER SET OUT HEREON ARE CONFIDENTIAL AND COPYRIGHT PROPERTY OF THE HARWIN GROUP AND MUST NOT BE DISCLOSED, LOANED, COPIED OR USED FOR MANUFACTURING, TENDERING OR FOR ANY OTHER PURPOSE WITHOUT THEIR WRITTEN PERMISSION.

TOLERANCES
 X. = ±1mm
 X.X = ±0.25mm
 X.XX = ±0.10mm
 X.XXX = ±0.01mm

ANGLES = ±5°
 UNLESS STATED

MATERIAL:
 SEE ABOVE

FINISH:
 SEE ABOVE

S/AREA: mm²

TITLE: 2.54mm PITCH SIL SMT PIN HEADER ASSEMBLY WITH PICK & PLACE CAP

DRAWING NUMBER:
M20-877XXXXP

SHT
 3
 OF 3

HARWIN INC U.S.A.	HARWIN PLC U.K.	HARWIN PTE SINGAPORE
TEL: (812) 542 2540	TEL: 023 9231 4545	TEL: 65 6779 4909
FAX: (812) 542 2541	FAX: 023 9231 4590	FAX: 65 6779 3868