

Customer Information Sheet

DRAWING No.: M20-876XXXXP

SHEET 3 OF 3

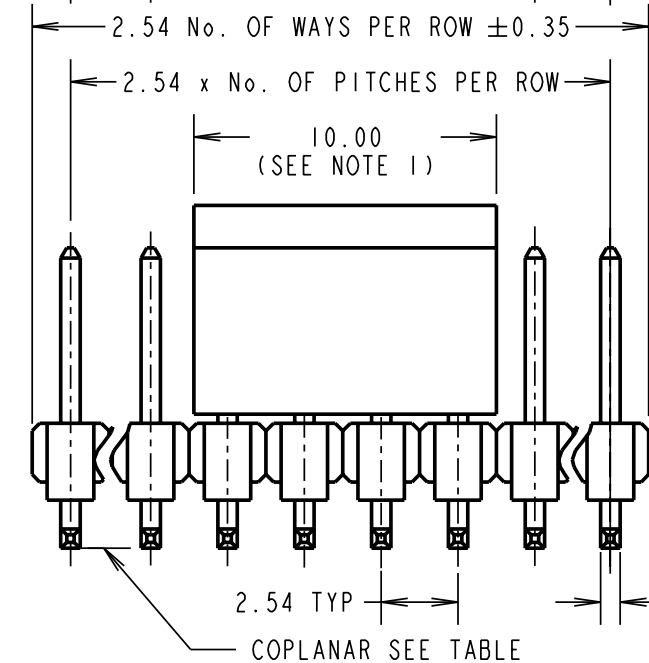
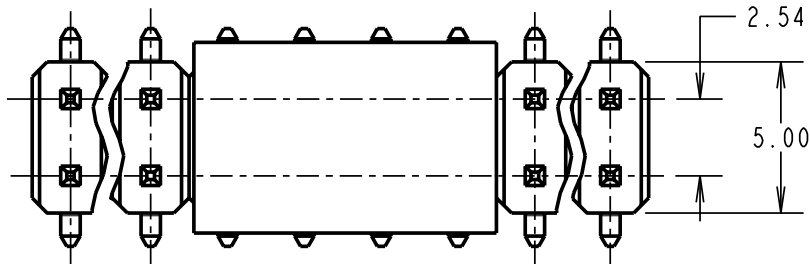
IF IN DOUBT - ASK

©

NOT TO SCALE

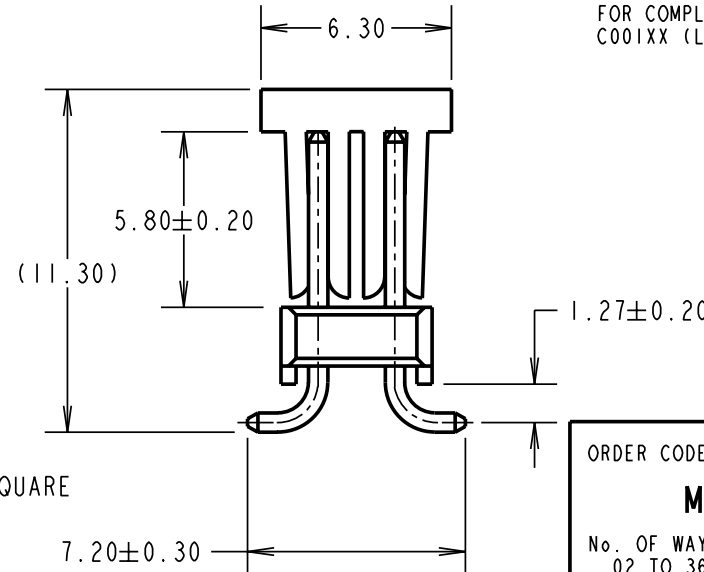
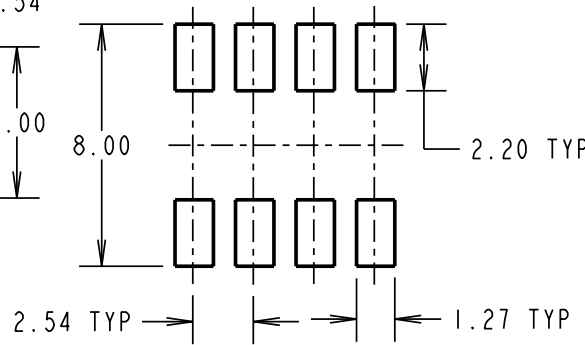
THIRD ANGLE PROJECTION

ALL DIMENSIONS IN mm



- NOTES:
- FOR 4+4-WAYS AND LESS, CAP LENGTH = 6.00mm.
 - SEE M20-876XXXXR FOR TAPE & REELED VERSION, M20-876XXX FOR STANDARD PRODUCT.
 - CO-PLANARITY: FLATNESS OF SMT TAILS MUST NOT EXCEED VALUES GIVEN IN TABLE.
 - ALL TOLERANCES ARE ± 0.15 UNLESS OTHERWISE STATED.

RECOMMENDED PAD LAYOUT



SPECIFICATION:

MATERIAL:

MOULDING = NYLON 6T UL94V-0, BLACK
CONTACT = BRASS

FINISH:

42 = SELECTIVE GOLD ON CONTACT AREA, 100% TIN ON TAILS
46 = 100% TIN

ELECTRICAL:

CURRENT RATING = 3A MAX
CONTACT RESISTANCE = 30 mΩ MAX (TIN), 25 mΩ MAX (GOLD)
INSULATION RESISTANCE = 1,000 MΩ MIN
DIELECTRIC STRENGTH = 750V AC/DC

MECHANICAL:

DURABILITY = 50 OPERATIONS (TIN), 300 OPERATIONS (GOLD)

ENVIRONMENTAL:

TEMPERATURE RANGE = -40°C TO +105°C

PACKING:

TUBE

FOR COMPLETE SPECIFICATION, SEE COMPONENT SPECIFICATION COOIXX (LATEST ISSUE)

No OF CONTACTS	COPLANARITY TOLERANCE
2x02 TO 2x12	0.10mm MAX
2x13 TO 2x20	0.15mm MAX
2x21 TO 2x36	0.20mm MAX

ORDER CODE:

M20-876XXXXP

No. OF WAYS: _____
02 TO 36

FINISH: _____
42 = SELECTIVE GOLD + 100% TIN
46 = 100% TIN

RB	8	03.09.08	10132
NAME	ISS.	DATE	C/NOTE
APPROVED: R.BROCKBANK			
CHECKED: M.PLESTED			
DRAWN: A. J. FILLINGHAM			
CUSTOMER REF.:			
ASSEMBLY DRG:			

HARWIN

HARWIN USA
TEL: 603 893 5376
FAX: 603 893 5396
mis@harwin.com

HARWIN Europe (UK)
TEL: 023 9231 4545
FAX: 023 9231 4590
mis@harwin.co.uk

HARWIN Asia
TEL: +65 6 779 4909
FAX: +65 6 779 3868
mis@harwin.com.sg

THIS DRAWING AND ANY INFORMATION OR DESCRIPTIVE MATTER SET OUT HEREON ARE CONFIDENTIAL AND COPYRIGHT PROPERTY OF THE HARWIN GROUP AND MUST NOT BE DISCLOSED, LOANED, COPIED OR USED FOR MANUFACTURING, TENDERING OR FOR ANY OTHER PURPOSE WITHOUT THEIR WRITTEN PERMISSION.

TOLERANCES

~~X. = ± 1 mm~~
~~X.X = ± 0.25 mm~~
~~X.XX = ± 0.10 mm~~
~~X.XXX = ± 0.01 mm~~

ANGLES = $\pm 5^\circ$

UNLESS STATED

MATERIAL:

SEE ABOVE

FINISH: SEE ABOVE

S/AREA: mm²

TITLE: 2.54mm PITCH DIL SMT PIN HEADER ASSEMBLY WITH PICK & PLACE CAP

DRAWING NUMBER:

M20-876XXXXP

SHT
3
OF
3